

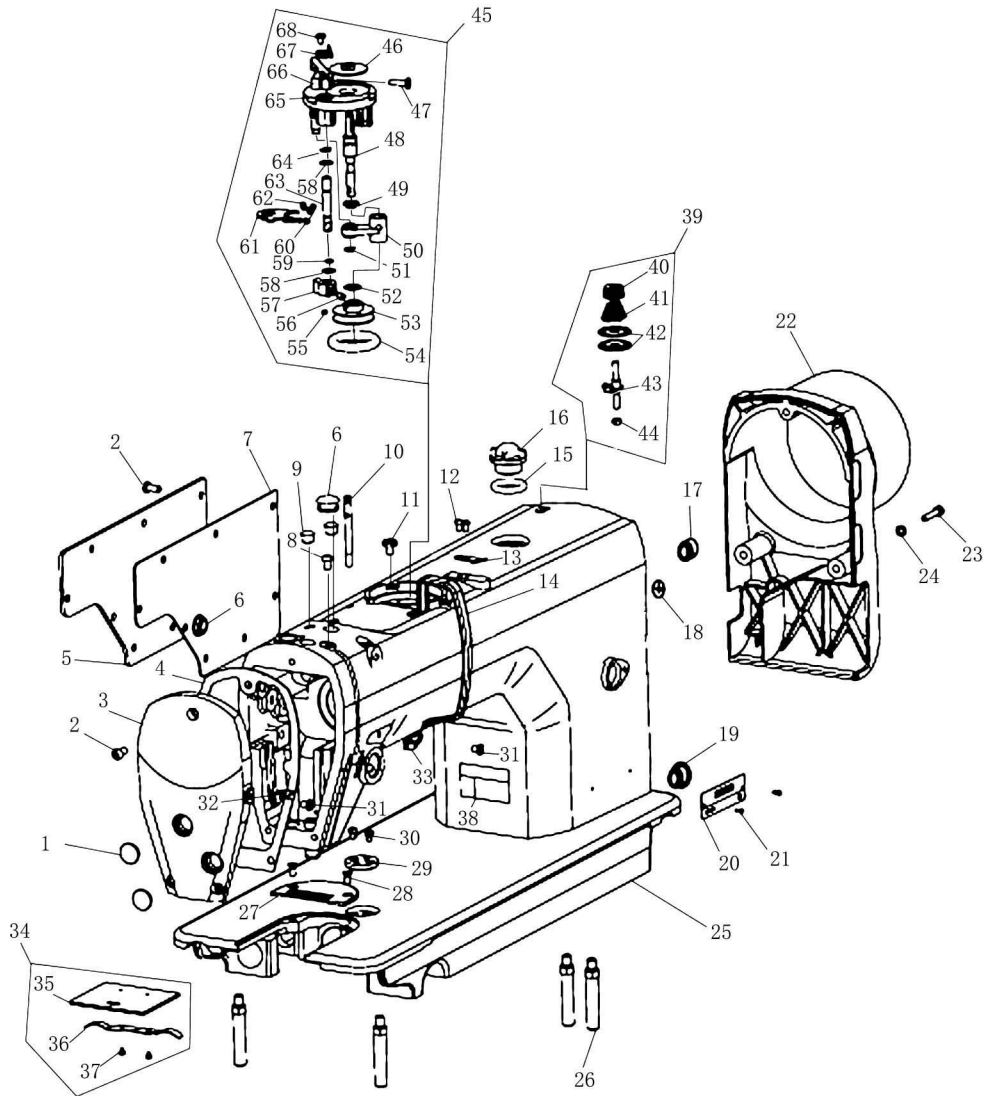
Parts book
for high speed lockstitch machine
with built-in energy saving motor

Silence



 *texi*

1. MACHINE FRAME & MISCELLANEOUS COVER COMPONENTS



1. MACHINE FRAME — MISCELLANEOUS COVER COMPONENTS

Ref. No.	Part NO.	Description	QTY	Remark
1	Z-91-116005-75-004	Rubber plug	2	
2	Z-91-116003-15	Screw	11	
3	Z-91-118019-75-001	Face plate	1	
4	Z-91-118020-91	Face plate gasket	1	
5	Z-91-119641-75-001	Side plate	1	
6	Z-91-116009-75-004	Rubber plug	2	
7	Z-91-119642-75-004	Side plate gasket	1	
8	Z-91-116015-15	Screw	1	
9	Z-91-116010-75-004	Rubber plug	2	
10	Z-91-119305-35	Needle thread guide pin	1	
11	Z-91-120245-25	Screw	3	
12	Z-91-145377-15	Screw	2	
13	Z-91-171070-35	Thread cutter	1	
14	Z-91-119648-75-001	Thread take-up lever cover	1	
15	Z-91-116012-75-004	O-ring	1	
16	Z-91-116013-05	Oil window	1	
17	Z-91-116018-75-004	Rubber plug	1	
18	Z-91-116020-95	Earthing indication plat	1	
19	Z-91-116022-75-004	Rubber plug	1	
20	Z-91-118252-95	Model plate	1	
20	Z-91-118292-95	Model plate	1	★
21	Z-91-116021-35	Rivet	1	
22	Z-91-118096-75-002	Pulley cover	1	
23	Z-91-133451-15	Screw	3	
24	Z-12-306003-15	Washer	3	
25	Z-91-118255-96	Machine frame	1	
26	Z-91-116023-15	Bed screw stud	4	
27	Z-91-118021-35	Needle plate	1	
27	Z-91-119304-35	Needle plate	1	★
28	Z-91-119412-15	Screw	2	
29	Z-91-116714-35	Ruler plate	1	
30	Z-91-116715-35	Screw	2	
31	Z-91-116006-15	Screw	2	
32	Z-91-116007-35	Arm thread guide left	1	
33	Z-91-116008-35	Arm thread guide right	1	
34	Z-91-116036-91	Side plate ASM.	1	

★: For heavy duty

1. MACHINE FRAME — MISCELLANEOUS COVER COMPONENTS

Ref. No.	Part NO.	Description	QTY	Remark
35	Z-91-116037-35	Side plate	1	
36	Z-91-116038-25	Spring of side plate	1	
37	Z-91-116039-25	Screw	2	
38	Z-91-116014-95	Safty-indication plate	1	
39	Z-91-117401-91	Bobbin thread tension ASM.	1	
40	Z-91-119654-75-002	Thread tension nut	1	
41	Z-91-171032-35	Spring	1	
42	Z-91-171033-05	Thread tension disk	2	
43	Z-91-171027-31	Bobbin thread tension ASM.	1	
44	Z-91-171034-15	Nut	1	
45	Z-91-116830-91	Bobbin winder ASM.	1	
46	Z-91-171014-05	Cushing	1	
47	Z-94-172110-15	Screw	1	
48	Z-91-116833-15	Shaft	1	
49	Z-91-171015-75-004	O-ring	1	
50	Z-91-116836-91	Bobbin winder shaft comple	1	
51	Z-12-602002-15	Thrust collar	1	
52	Z-91-116835-05	Washer	1	
53	Z-91-116832-05	Bobbin ring	1	
54	Z-94-159091-75-004	Rubber ring	1	
55	Z-91-101125-15	Screw	1	
56	Z-91-145366-15	Screw	1	
57	Z-91-116831-15	Bobbin winder regulator	1	
58	Z-91-171019-05	washer	2	
59	Z-91-171021-75-004	O-ring	1	
60	Z-91-171010-15	Spring	1	
61	Z-91-171013-35	Adjusting plate	1	
62	Z-91-171012-15	Spring	1	
63	Z-91-116834-25	Bobbin shaft	1	
64	Z-12-606004-15	Thrust collar	1	
65	Z-91-171006-91	Bobbin fitting basis COMPL.	1	
66	Z-94-172111-05	Bobbin lever	1	
67	Z-91-117187-35	Adjusting plate	1	
68	Z-94-172112-15	Screw	1	

2. MAIN SHAFT & THREAD TAKE-UP COMPONENTS

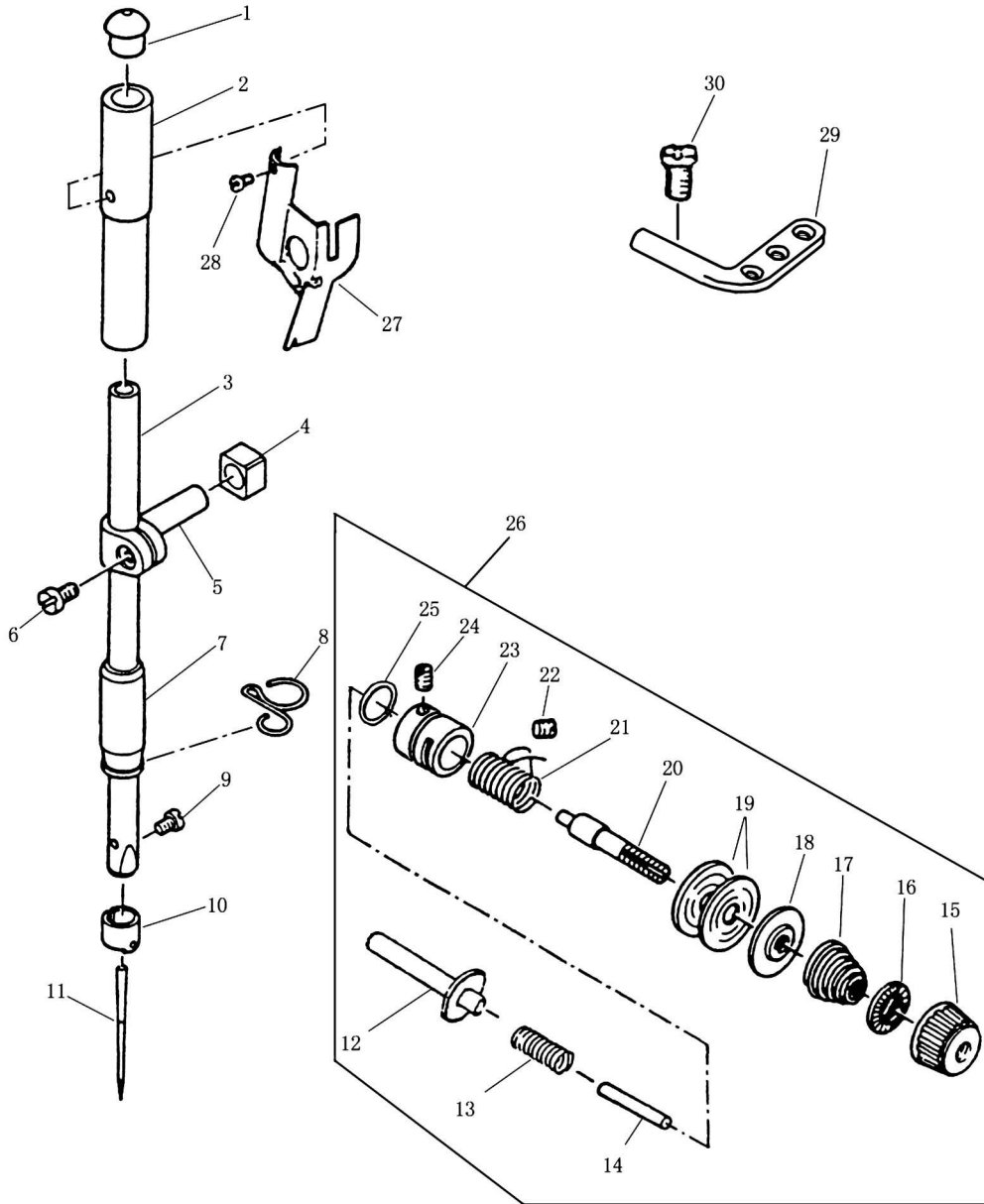
Ref. No.	Part NO.	Description	QTY	Remark
1	Z-91-116079-91	Thread take-up crank shaft	1	
2	Z-91-116068-15	Screw	1	
3	Z-91-116053-05	Thread take-up bar	1	
3	Z-91-119314-05	Thread take-up bar	1	★
4	Z-91-116074-91	Thread take-up lever ASM.	1	
4	Z-91-119315-91	Thread take-up lever ASM.	1	★
5	Z-91-116069-75-004	Oil resietant cover	1	
6	Z-91-116070-05	Bearing	2	
7	Z-91-116285-05	Needle bar crank	1	
7	Z-91-119386-91	Needle bar crank	1	★
8	Z-91-116088-05	Needle bar crank rod	1	
9	Z-91-116052-05	Screw	1	
10	Z-71-41-000011	Motor	1	
11	Z-91-118136-15	Washer	4	
12	Z-12-301002-15	Washer	4	
13	Z-91-118157-15	Screw	4	
14	Z-91-118258-75-002	Head wheel	1	
15	Z-91-117486-15	Screw	2	
16	Z-15-301008-05	O-ring	1	
17	Z-91-118016-05	Coupling	1	
18	Z-91-171127-15	Screw	3	
19	Z-91-118017-05	Washer	1	
20	Z-14-002045-05	Bearing	1	
21	Z-91-118015-05	Coupling	1	
22	Z-91-180037-15	Screw	2	
23	Z-91-118018-71-004	Oil seal	1	
24	Z-91-116061-05	Thrust collar	1	
25	Z-91-116777-15	Screw	2	
26	Z-91-116040-05	Bearing support	1	
27	Z-91-116153-15	Screw	1	
28	Z-91-116843-05	Wheel	1	
29	Z-91-116844-15	Screw	1	
30	Z-91-116042-91	Bearing support	1	
31	Z-91-116841-05	Counter weight	1	
31	Z-91-116385-05	Counter weight	1	★
32	Z-91-116054-15	Screw	1	

★: For heavy duty

2. MAIN SHAFT & THREAD TAKE-UP COMPONENTS

Ref. No.	Part NO.	Description	QTY	Remark
33	Z-91-116072-15	Screw	1	
34	Z-91-116071-75-004	O-ring	1	
35	Z-91-116777-15	Screw	2	
36	Z-91-118181-05	Main shaft	1	
37	Z-91-116064-05	Roller felt	1	
38	Z-91-116066-75-004	Sleeve of adjusting pin	1	
39	Z-91-116067-75-004	O-ring	1	
40	Z-91-116065-05	Adjusting pin	2	

3. NEEDLE BAR & THREAD TENSION COMPONENTS

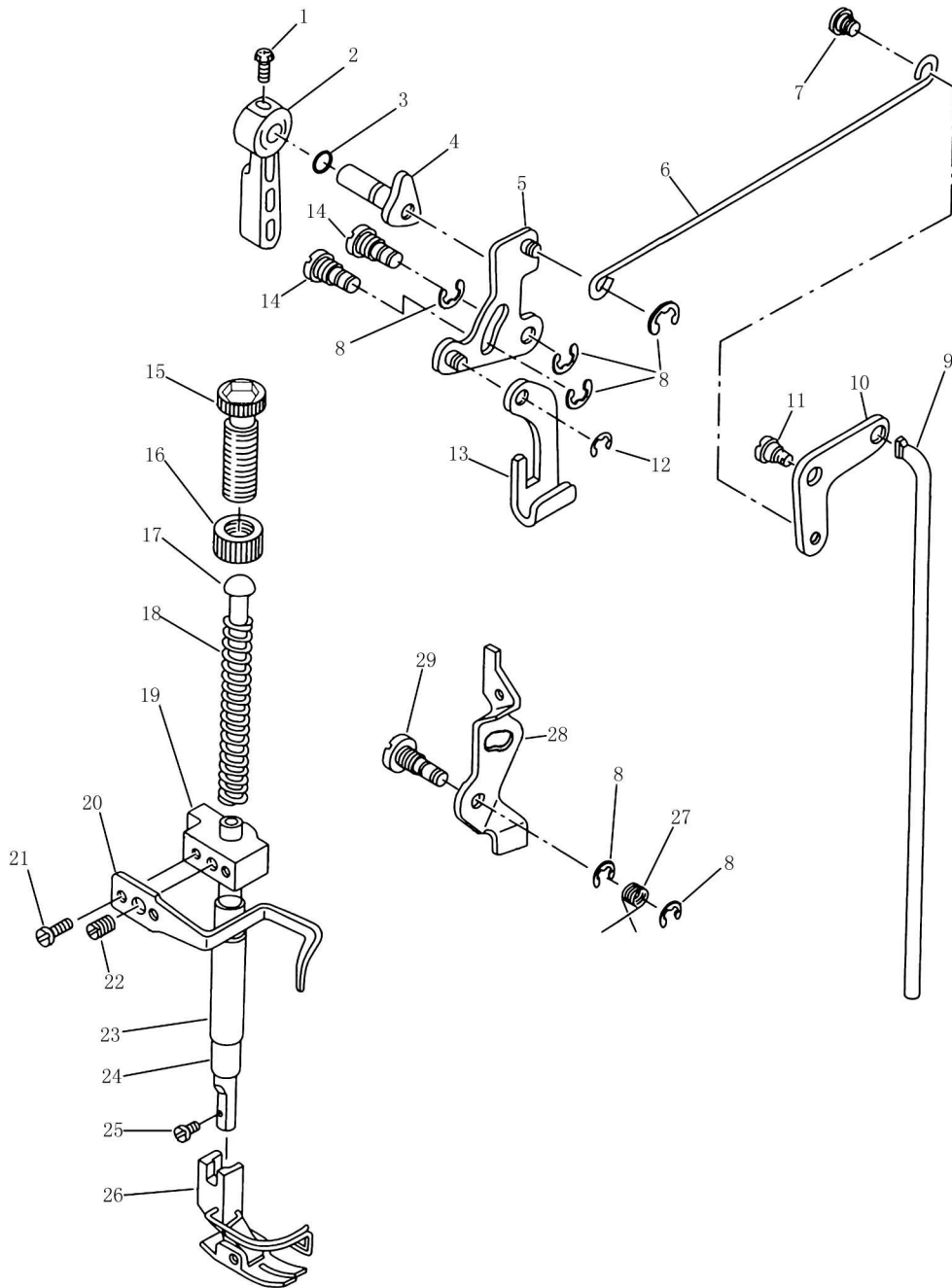


3. NEEDLE BAR & THREAD TENSION COMPONENTS

Ref.No.	Part NO.	Description	QTY	Remark
1	Z-91-116089-75-004	Rubber plug	1	
2	Z-91-119660-05	Bearing support	1	
3	Z-91-118042-05	Needle bar	1	
3	Z-91-119793-05	Needle bar	1	★
4	Z-91-116093-15	Slide block	1	
5	Z-91-116091-05	Needle bar holder	1	
6	Z-91-116092-15	Screw	1	
7	Z-91-116043-05	Bearing support	1	
7	Z-91-119299-05	Bearing support	1	★
8	Z-91-116094-35	Needle bar thread guide	1	
9	Z-91-116097-25	Screw	1	
10	Z-91-116096-35	Needle bar thread guide	1	
10	Z-91-119321-35	Needle bar thread guide	1	★
11	Z-99-016002-35	Needle DB×114#	1	
11	Z-99-016001-35	Needle DP×5 18#	1	★
12	Z-91-118041-15	Tension release supporting pin	1	
13	Z-91-116100-15	Spring	1	
14	Z-91-116111-15	Thread release pin	1	
15	Z-91-119662-91	Nut	1	
16	Z-91-116104-35	Tension disc wtopper	1	
17	Z-91-116105-15	Spring	1	
17	Z-91-119323-15	Spring	1	
18	Z-91-116106-35	Tension disc holder	1	
19	Z-91-116107-05	Eension disc	2	
20	Z-91-116102-35	Screw	1	
21	Z-91-116108-15	Spring	1	
22	Z-91-116782-15	Screw	1	
23	Z-91-116109-15	Tension post socket	1	
24	Z-91-116110-15	Screw	1	
25	Z-91-116777-15	Screw	2	
26	Z-91-119661-91	Thread take-up device	1	
26	Z-91-119738-91	Thread take-up device	1	★
27	Z-91-116257-91	ARM oil shield ASM.	1	
28	Z-91-116780-25	Screw	1	
29	Z-91-116098-35	Three-hole thread eyelet	1	
30	Z-91-116015-15	Screw	1	

★: For heavy duty

4. PRESSER FOOT COMPONENTS



4. PRESSER FOOT COMPONENTS

Ref. No.	Part NO.	Description	QTY	Remark
1	Z-91-116117-15	Screw	1	
2	Z-91-119666-75-002	Hand lofter	1	
3	Z-91-116118-75-004	O-ring	1	
4	Z-91-118050-11	Hand lofter CAM ASM.	1	
4	Z-91-118161-11	Hand lofter CAM ASM.	1	★
5	Z-91-118048-11	Hand lofter link ASM.	1	
6	Z-91-116122-15	Lifting lever connecting rod	1	
7	Z-91-116134-15	Screw	1	
8	Z-91-116130-15	Snap ring	6	
9	Z-91-116120-15	Connecting rod vertical	1	
10	Z-91-116121-15	Lifting level link	1	
11	Z-91-116135-15	Screw	1	
12	Z-91-116129-15	Snap ring	1	
13	Z-91-116124-15	Lifting lever	1	
14	Z-91-116131-15	Link shaft	2	
15	Z-91-119664-75-002	Screw	1	
16	Z-91-119665-75-002	Nut	1	
17	Z-91-116512-05	Presser guide bar	1	
18	Z-91-116499-15	Spring	1	
18	Z-91-119325-15	Spring	1	★
19	Z-91-118046-15	Presser guide bar bracket	1	
20	Z-91-116114-35	Presser bar thread guide	1	
21	Z-91-116126-15	Screw	1	
22	Z-91-116127-15	Screw	1	
23	Z-91-116047-05	Bearing support	1	
23	Z-91-119300-05	Bearing support	1	★
24	Z-91-116113-05	Presser bar	1	
25	Z-91-116125-25	Screw	1	
26	Z-91-119449-91	Presser foot ASM.	1	
26	Z-91-119835-91	Presser foot ASM.	1	★
27	Z-91-116133-15	Spring	1	
28	Z-91-116123-15	Tension release plate	1	
29	Z-91-116132-15	Link shaft	1	

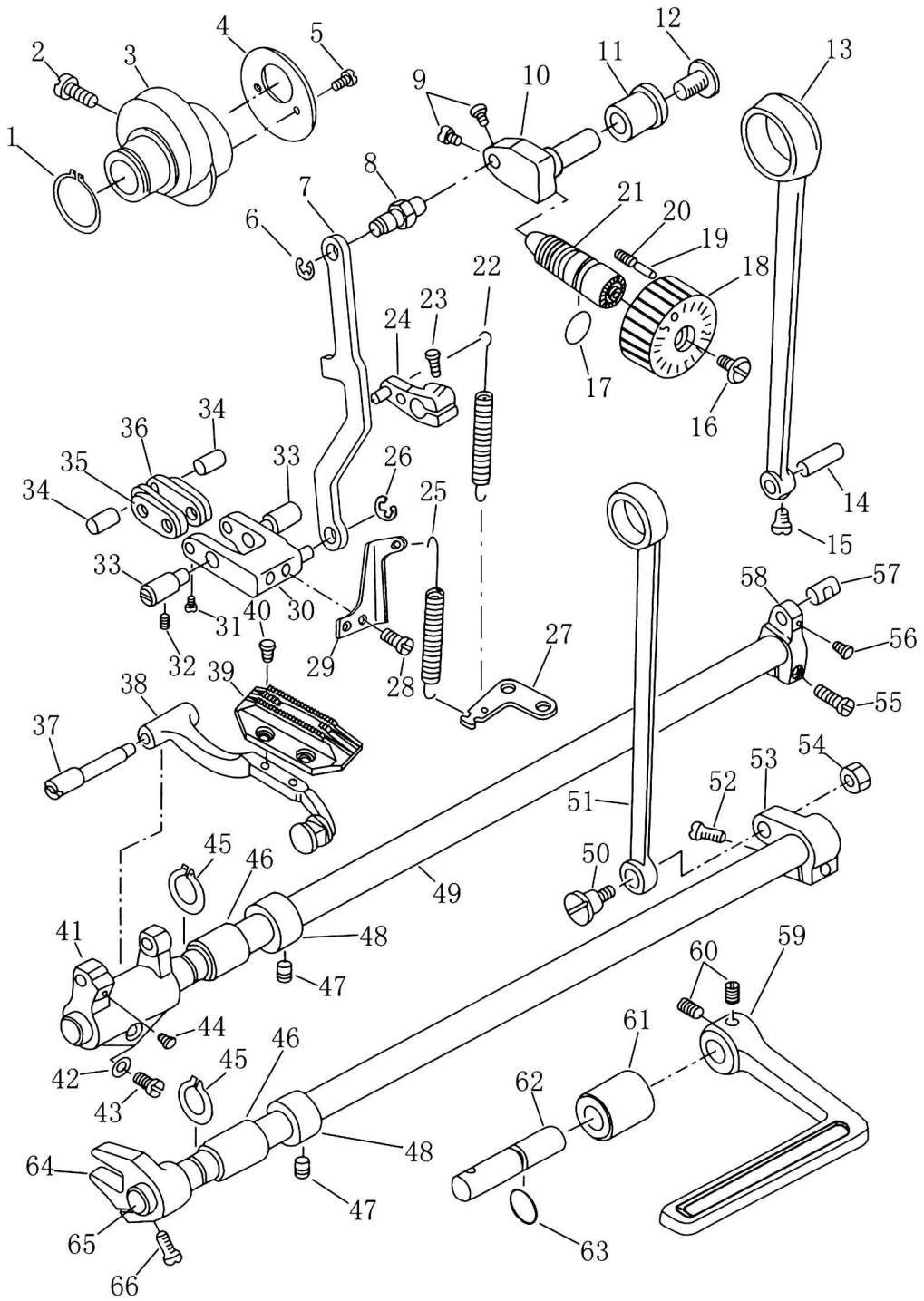
★: For heavy duty

5. HOOK DRIVING SHAFT COMPONENTS

Ref. No.	Part NO.	Description	QTY	Remark
1	Z-91-116164-15	Screw	8	
2	Z-91-116163-05	Gear	1	
3	Z-91-116118-75-004	Gear	1	
4	Z-91-116160-05	Gear	1	
5	Z-91-116159-05	Gear	1	
6	Z-91-116161-05	Upright shaft	1	
7	Z-91-116046-05	Bearing support	1	
8	Z-91-116003-15	Screw	1	
9	Z-91-116045-05	Bearing support	1	
10	Z-91-116044-05	Bearing support	1	
11	Z-91-116158-15	Screw	1	
12	Z-91-116157-15	Screw	2	
13	Z-91-116156-05	Snap ring	1	
14	Z-91-116150-35	Positioning finger	1	
15	Z-91-116151-15	Screw	1	
16	Z-91-119621-91	Bearing support	1	
17	Z-91-116153-15	Screw	1	
18	Z-91-119622-71-004	Oil seal	1	
19	Z-91-116167-05	Oil wick	1	★
20	Z-91-116166-05	Screw	1	
21	Z-99-012005-91	Hook	1	
21	Z-99-012001-91	Hook	1	★
22	Z-91-116149-25	Bobbin	1	
23	Z-91-021003-91	Bobbin case	1	

★: For heavy duty

6. FEED MECHANISM COMPONENTS



6. FEED MECHANISM COMPONENTS

Ref. No.	Part NO.	Description	QTY	Remark
1	Z-91-116169-15	Snap ring	1	
2	Z-91-116196-15	Screw	2	
3	Z-91-116195-05	Feed drive eccentric cam	1	
4	Z-91-116197-15	Thrust coler	1	
5	Z-91-116092-15	Screw	1	
6	Z-91-116130-15	Snap ring	1	
7	Z-91-118069-05	Feed adjust rod	1	
8	Z-91-118072-15	Pin	1	
9	Z-91-116092-15	Screw	2	
10	Z-91-118071-05	Feed regulator	1	
11	Z-91-118122-05	Bearing support	1	
12	Z-91-116216-15	Screw	1	
13	Z-91-116170-05	Connecting rod	1	
14	Z-91-116189-15	Pin	1	
15	Z-91-116186-15	Screw	1	
16	Z-91-116211-25	Screw	1	
17	Z-91-116213-75-004	O-ring	1	
18	Z-91-119670-75-002	Feed dial	1	
19	Z-91-116225-25	Pin	1	
20	Z-91-116224-15	Spring	1	
21	Z-91-118070-15	Screw	1	
22	Z-91-119371-15	Spring	1	
23	Z-91-133235-15	Screw	1	
24	Z-91-118077-91	Reverse feed arm ASM.	1	
25	Z-91-116223-15	Spring	1	
25	Z-91-119692-15	Spring	1	★
26	Z-91-116130-15	Snap ring	1	
27	Z-91-116220-15	Feed spring hook	1	
27	Z-91-119693-15	Feed spring hook	1	★
28	Z-91-116222-15	Screw	2	
29	Z-91-116221-15	Plate	1	
30	Z-91-116203-91	Feed adjusting ASM.	1	
31	Z-91-116186-15	Screw	2	
32	Z-91-116063-15	Screw	2	
33	Z-91-116181-05	Pin	2	
34	Z-91-116185-15	Pin	2	

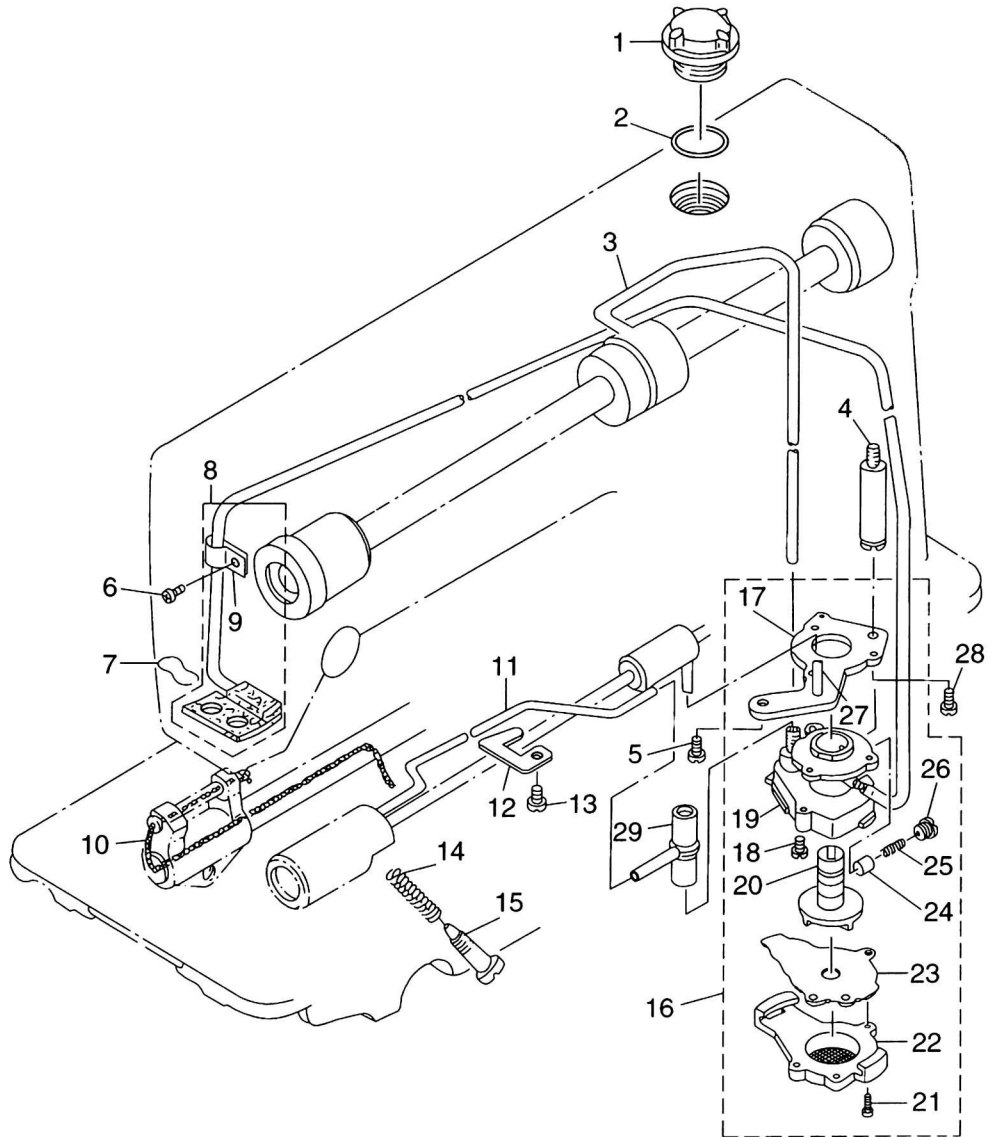
★: For heavy duty

6. FEED MECHANISM COMPONENTS

Ref. No.	Part NO.	Description	QTY	Remark
35	Z-91-116188-05	Short link	2	
36	Z-91-116184-05	Lang link	2	
37	Z-91-119353-05	Pin	1	
38	Z-91-119359-91	Feed bar ASM.	1	
39	Z-91-118062-05	Feed dog	1	
39	Z-91-119352-05	Feed dog	1	★
40	Z-91-116173-15	Screw	2	
41	Z-91-119354-05	Feed bar driving crank	1	
42	Z-91-116175-15	Washer	1	
43	Z-91-119388-15	Screw	2	
44	Z-91-116174-15	Screw	1	
45	Z-91-116193-15	Snap ring	2	
46	Z-91-116048-05	Bear support	1	
47	Z-91-116777-15	Screw	4	
48	Z-91-116061-05	Snap ring	2	
49	Z-91-116177-05	Feed rocker shaft	1	
50	Z-91-116180-15	Screw	1	
51	Z-91-116171-05	Connecting rod	1	
52	Z-91-116179-15	Screw	1	
53	Z-91-116178-05	Lifting rocker	1	
54	Z-91-116540-15	Nut	1	
55	Z-91-116179-15	Screw	1	
56	Z-91-116186-15	Screw	1	
57	Z-91-116187-15	Pin	1	
58	Z-91-116190-05	Feed rocker	1	
59	Z-91-118076-75-002	Reverse feed controllever	1	
60	Z-91-116127-15	Screw	2	
61	Z-91-116050-05	Bearing support	1	
62	Z-91-118075-15	Reverse feed shaft	1	
63	Z-91-116218-75-004	O-ring	1	
64	Z-91-116182-05	Lifting fork	1	
65	Z-91-116176-05	Feed driving shaft	1	
66	Z-91-116183-15	Screw	1	

★: For heavy duty

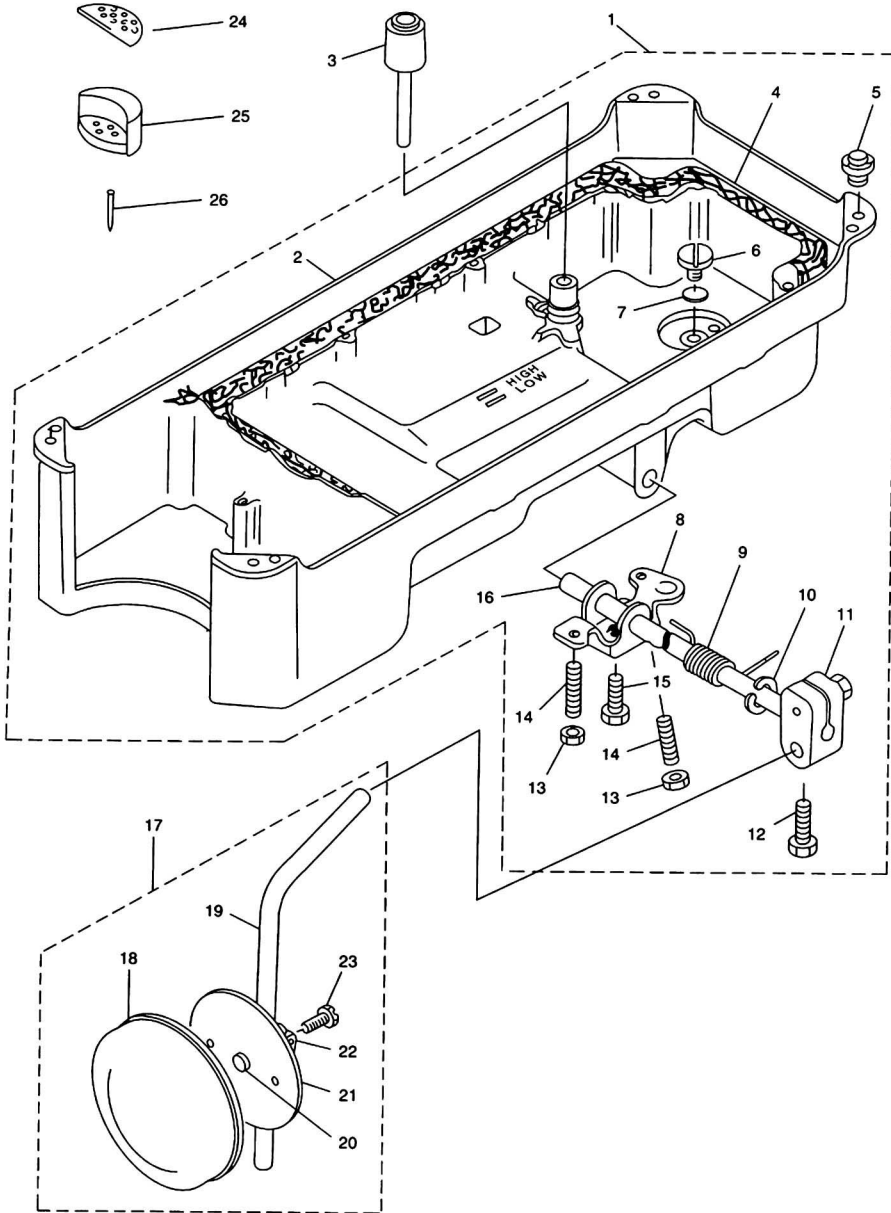
7. OIL LUBRICATION COMPONENTS



7. OIL LUBRICATION COMPONENTS

Ref. No.	Part NO.	Description	QTY	Remark
1	Z-91-116013-05	Oil sight window	1	
2	Z-91-116012-75-004	Rubber ring	1	
3	Z-91-116232-05	Main shaft oil tube	1	
4	Z-91-116230-15	Oil pump support	1	
5	Z-91-116233-15	Screw	1	
6	Z-91-116015-15	Screw	1	
7	Z-91-116240-15	Oil felt presser	1	
8	Z-91-118263-90	Oil return tube ASM.	1	
9	Z-91-116619-15	Holder	1	
10	Z-91-116191-05	Oil wick	1	
11	Z-91-116235-05	Oil tube	1	
12	Z-91-116234-15	Tube holder lower	1	
13	Z-91-116233-15	Screw	1	
14	Z-91-116237-15	Spring	4	
15	Z-91-116236-95	Oil adjusting screw	1	
16	Z-91-116241-91	Oil pump ASM.	1	
17	Z-91-116242-15	Oil pump installing base	1	
18	Z-91-116252-45	Screw	3	
19	Z-91-116210-75-005	Oil pump	1	
20	Z-91-116246-05	Oil pump impeller	1	
21	Z-91-116247-25	Screw	3	
22	Z-91-116255-75-004	Oil pump cover	1	
23	Z-91-116245-15	Oil pump impeller cover	1	
24	Z-91-116248-05	Plunger	1	
25	Z-91-116250-15	Plunger spring	1	
26	Z-91-116249-15	Plunger screw	1	
27	Z-91-116253-75-004	Hook driving shaft oil tube	1	
28	Z-91-116151-15	Screw	1	
29	Z-91-116231-75-004	Oil tube joint	1	

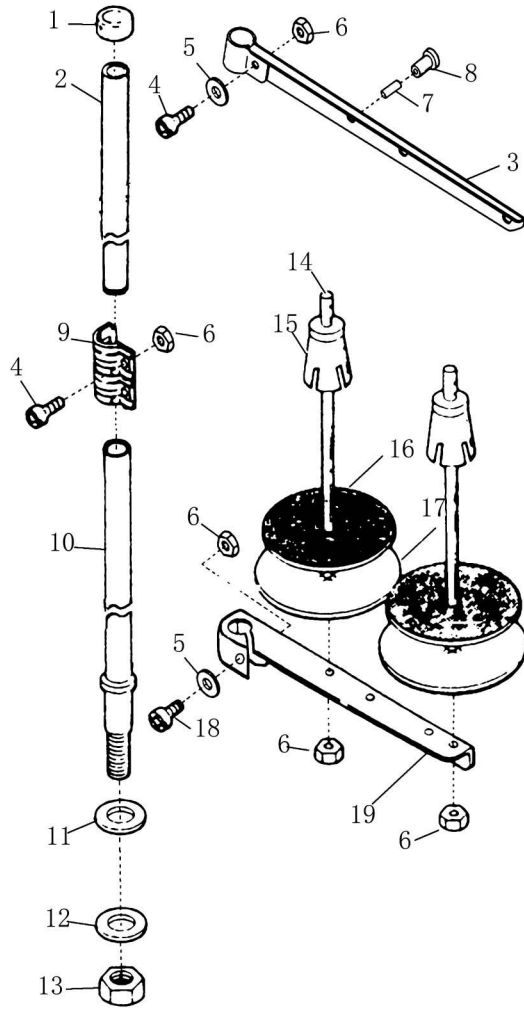
8. OIL RESERVOIR COMPONENTS



8. OIL RESERVOIR COMPONENTS

Ref. No.	Part NO.	Description	QTY	Remark
1	Z-91-116285-91	Oil reservoir ASM.	1	
2	Z-91-116269-05	Oil reservoir ASM.	1	
3	Z-91-116955-15	Pin	1	
4	Z-91-119592-75	Oil reservoir gasket	1	
5	Z-91-116271-75-005	Head gasket	4	
6	Z-91-116264-15	Screw	1	
7	Z-91-116263-95	Rubber ring	1	
8	Z-91-116273-45	Crank	1	
9	Z-91-116275-15	Twisting spring	1	
10	Z-91-116277-15	Snap ring	1	
11	Z-91-116266-45	Bracket	1	
12	Z-91-116267-45	Screw	1	
13	Z-91-116268-45	Nut	2	
14	Z-91-116267-45	Screw	2	
15	Z-91-116274-45	Screw	1	
16	Z-91-116276-45	Knee pressing shaft	1	
17	Z-91-116278-91	Knee pressing plate ASM.	1	
18	Z-91-116279-75-004	Knee pressing plate cover	1	
19	Z-91-116282-45	Knee pressing plate rod	1	
20	Z-91-116281-75-004	Knee pressing plate rubber	1	
21	Z-91-116280-45	Knee pressing plate	1	
22	Z-91-116283-45	Knee pressing plate holder	1	
23	Z-91-116284-45	Screw	1	
24	Z-91-116271-75-005	Oil reservoir cushion	2	
25	Z-91-116270-75-005	Oil reservoir seat	2	
26	Z-91-116272-15	Oil reservoir nail	4	

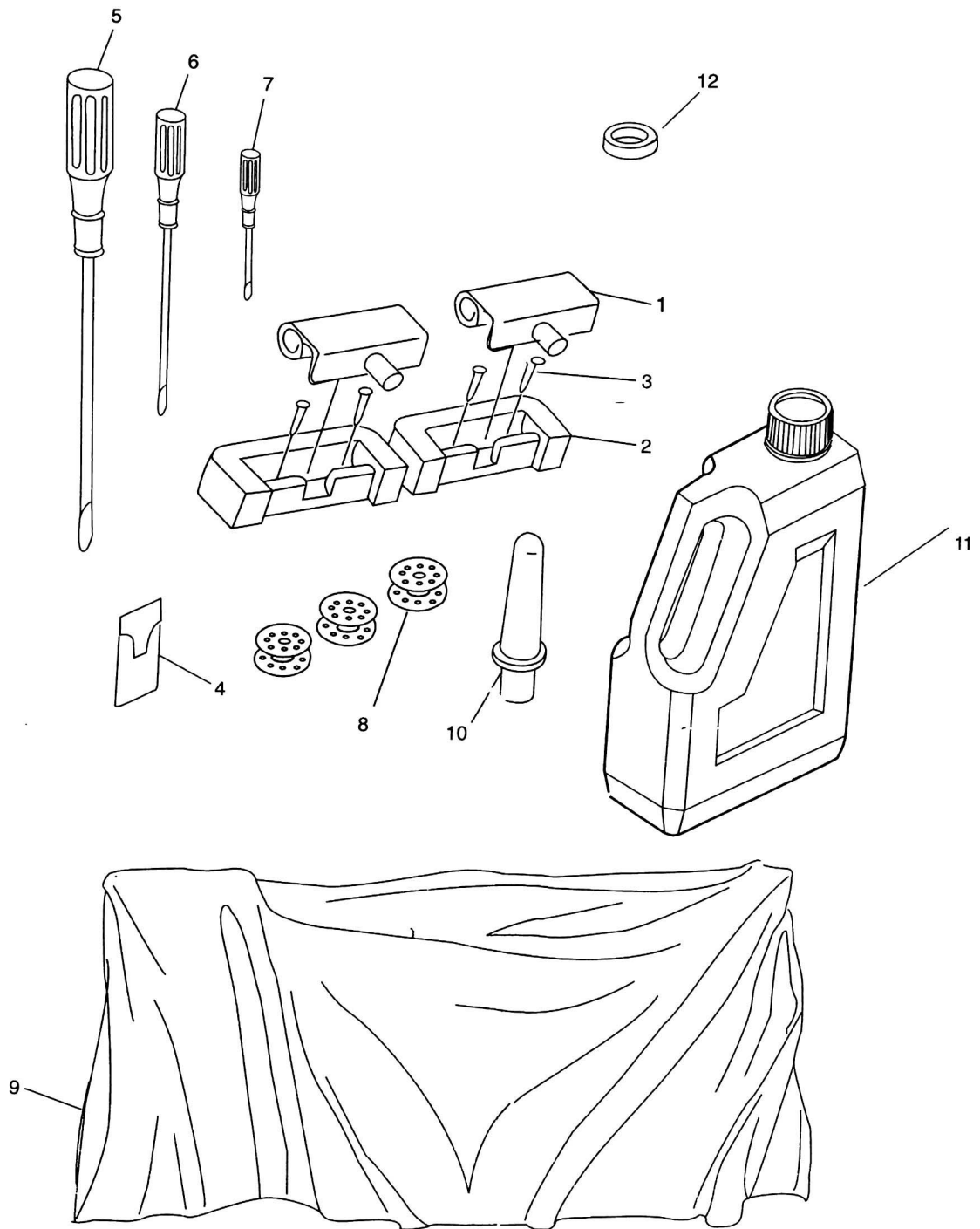
9. THREAD STAND COMPONENTS



9. THREAD STAND COMPONENTS

Ref. No.	Part NO.	Description	QTY	Remark
13	Z-91-116318-75-004	Column cap	1	
14	Z-91-116317-75-001	Column pipe (upper)	1	
15	Z-91-116313-75-001	Thread hanger	1	
16	Z-11-106001-25	Screw	2	
17	Z-12-305002-25	Washer	2	
18	Z-12-003002-25	Nut	5	
19	Z-91-116314-75-001	Thread guide pipe	2	
20	Z-91-116315-75-004	Thread guide bushing	2	
21	Z-91-116320-75-001	Column pipe connector	1	
22	Z-91-116325-75-001	Column pipe (lower)	1	
23	Z-91-116326-75-004	Washer	1	
24	Z-91-116324-25	Washer	1	
25	Z-12-003006-25	Nut	1	
26	Z-91-116331-35	Spool pin	2	
27	Z-91-116330-75-001	Spool cushion	2	
28	Z-91-116329-75-004	Spool mat	2	
29	Z-91-116328-75-001	Spool seat disc	2	
30	Z-11-106002-25	Screw	2	
31	Z-91-116321-91	Thread hanger (lower)	1	

10. ACCESSORIES



10. ACCESSORIES

Ref. No.	Part NO.	Description	QTY	Remark
1	Z-91-116333-21	Head connecting hook	2	
2	Z-91-116334-75-005	Head connecting hook socket	2	
3	Z-91-116272-15	Nail	4	
4	Z-99-016002-35	Needles 1 bag DB×1 14#	1	
4	Z-99-016001-35	Needles 1 bag DP×5 18#	1	★
5	Z-91-119396-91	Screw driver (L)	1	
6	Z-91-116351-91	Screw driver (M)	1	
7	Z-91-116352-91	Screw driver (S)	1	
8	Z-91-116149-25	Bobbin	3	
9	Z-91-116370-05	Head cover	1	
10	Z-91-116650-75-005	Head pole	1	
11	Z-91-116348-91	Oil bottle with oil	1	
12	Z-91-116262-05	Oil reservoir magnet	1	

★: For heavy duty



Dealer:

--