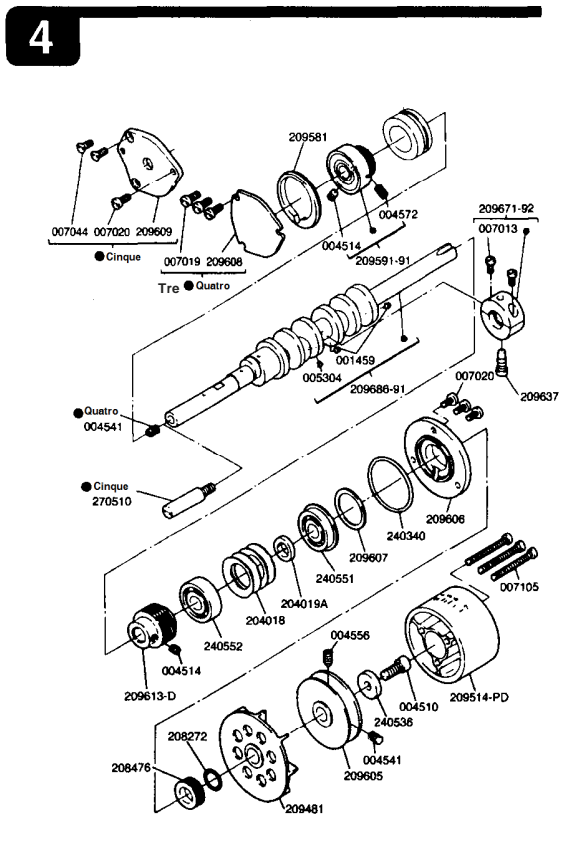
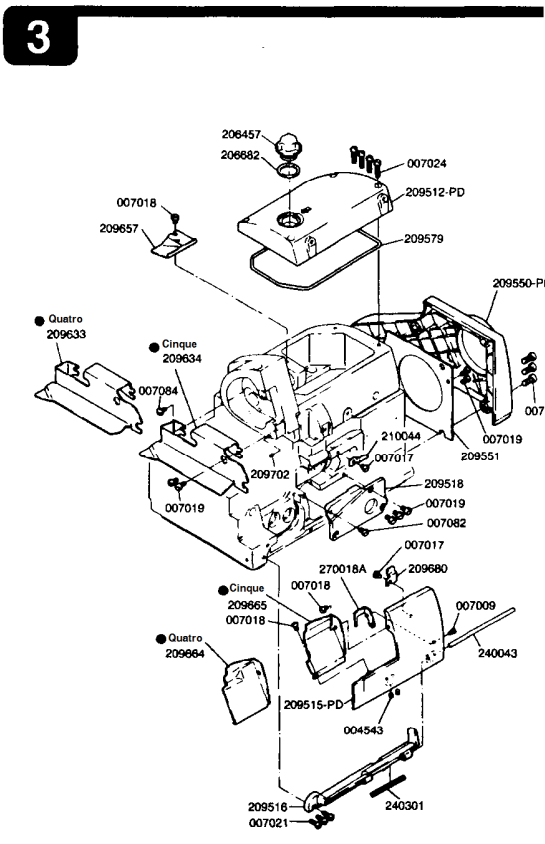
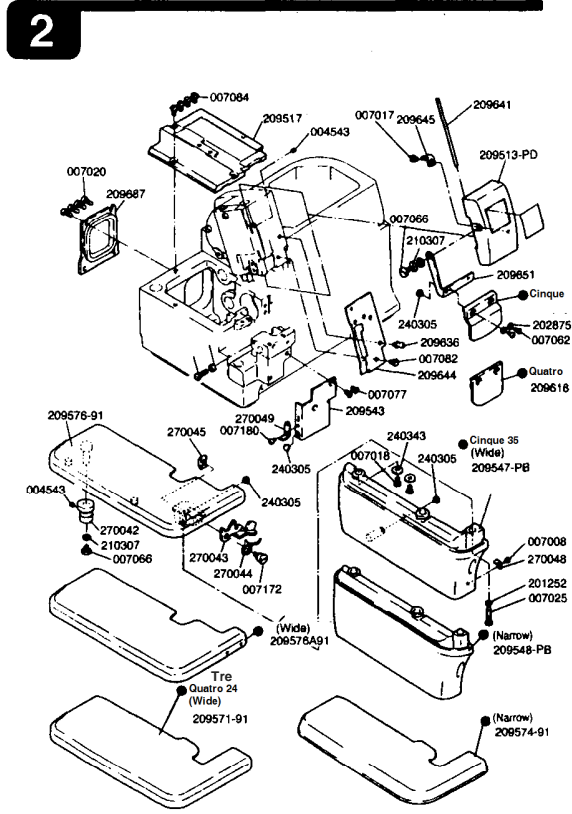
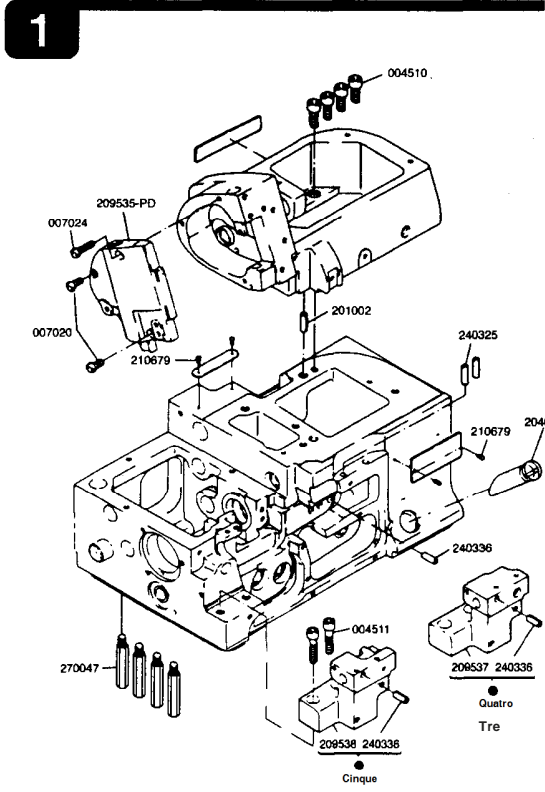


Parts book
for high speed overlock machines

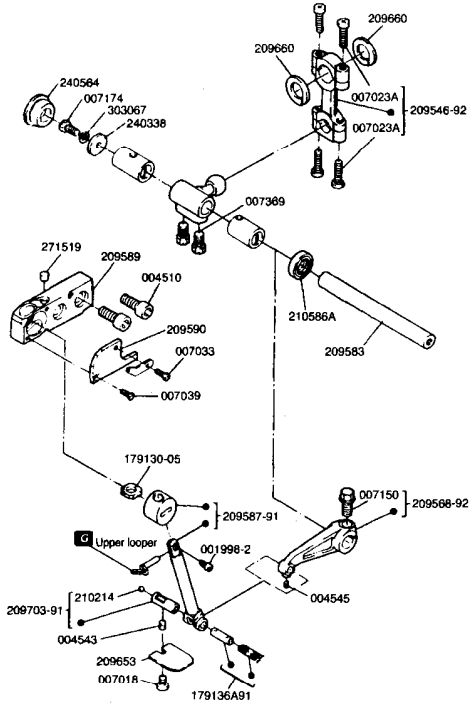
Tre 04
Tre Orlo 15
Quattro 24
Cinque 35

 *texi*



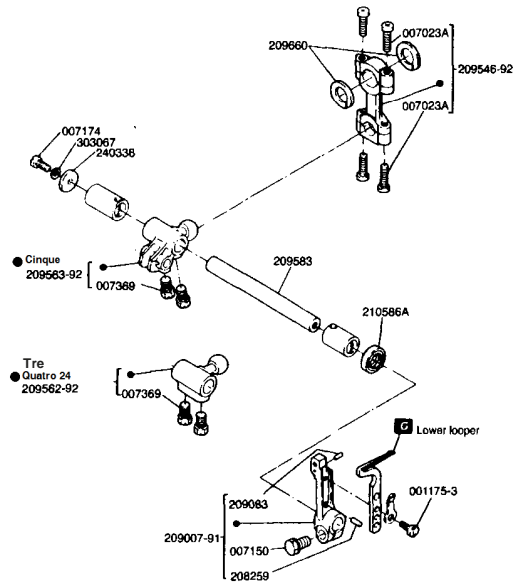
5

G Please confirm the correct part by the gauge parts lists.



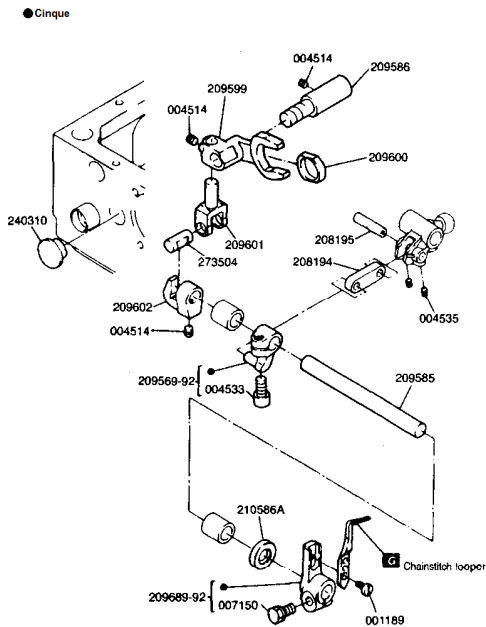
6

G Please confirm the correct part by the gauge parts lists.



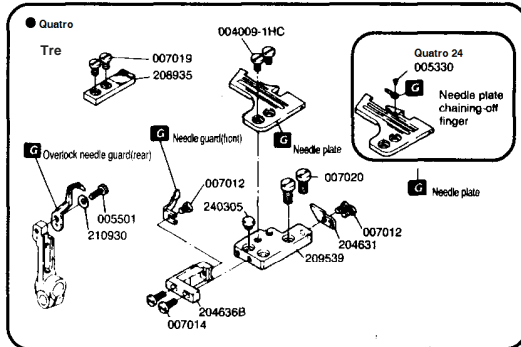
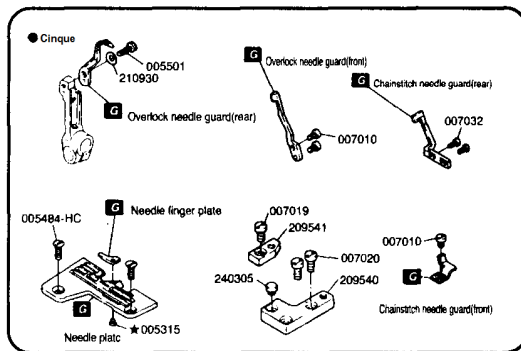
7

G Please confirm the correct part by the gauge parts lists.

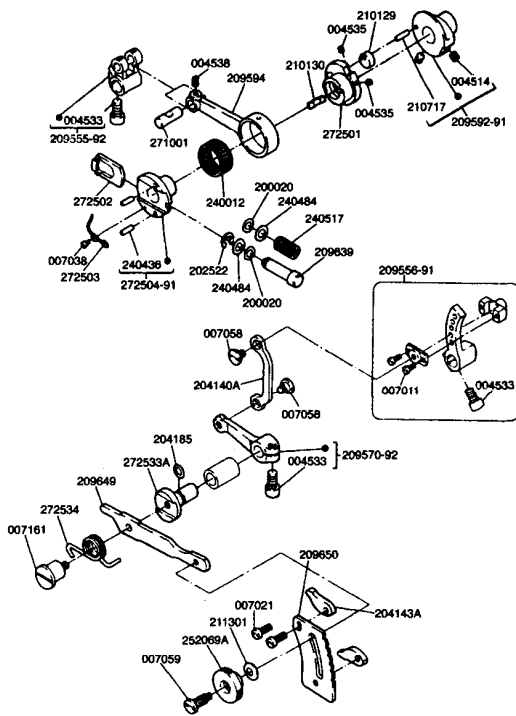


8

G Please confirm the correct part by the gauge parts lists.

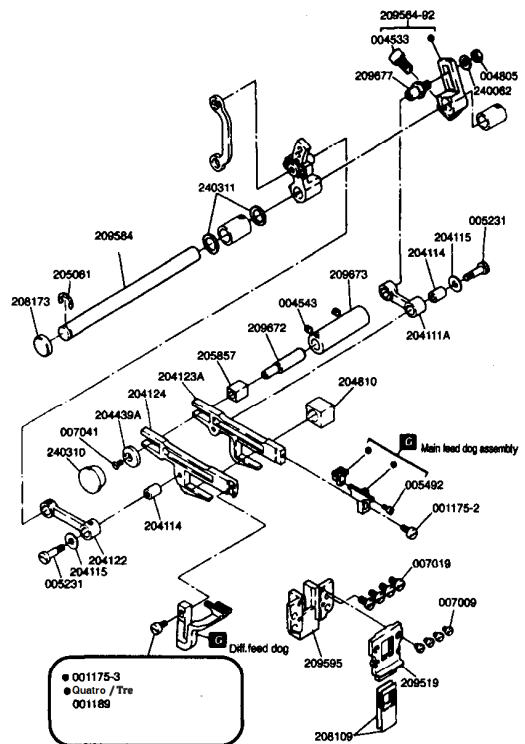


13

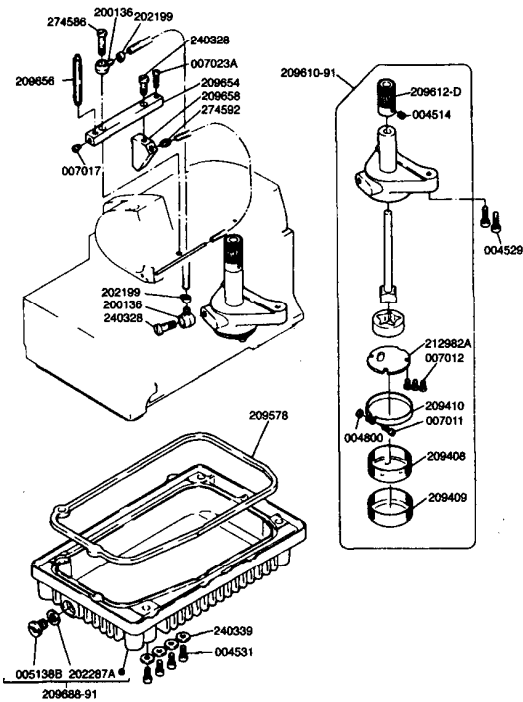


14

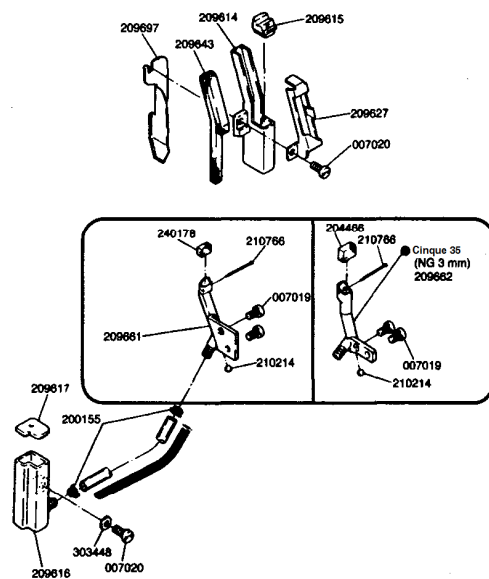
G Please confirm the correct part by the gauge parts lists.



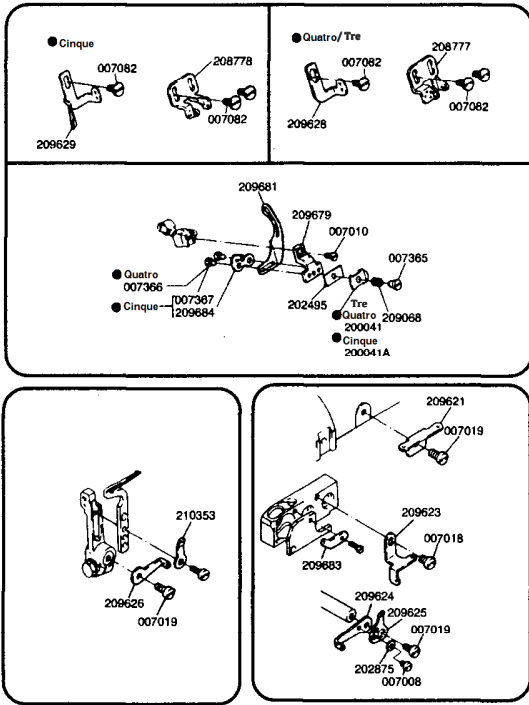
15



16

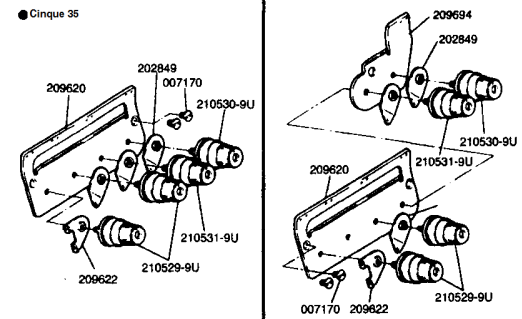
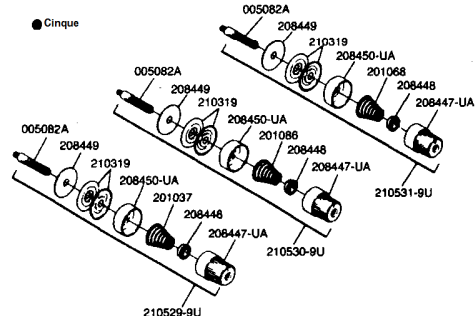


17

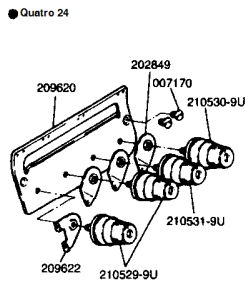
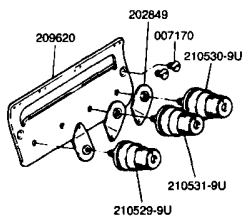
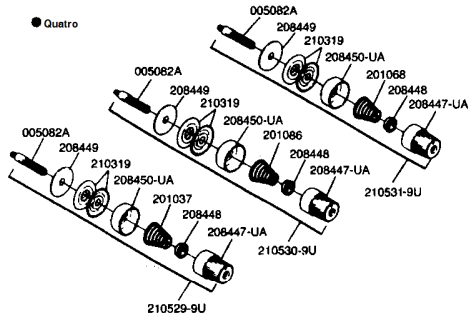


18

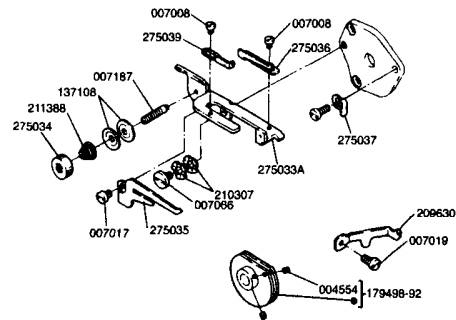
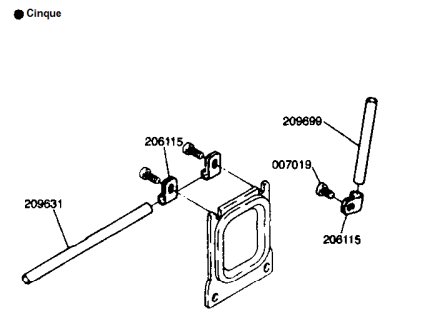
G Please confirm the correct part by the gauge parts lists.



19

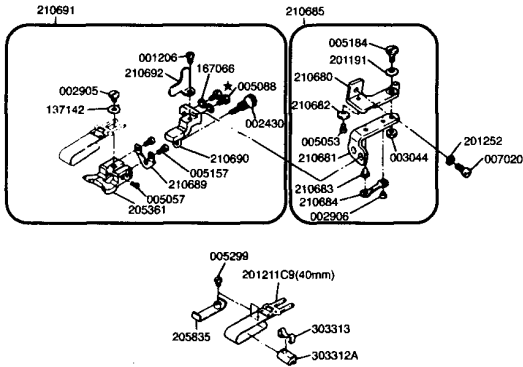


20

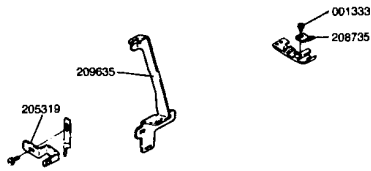


21

Blind hemming subclass

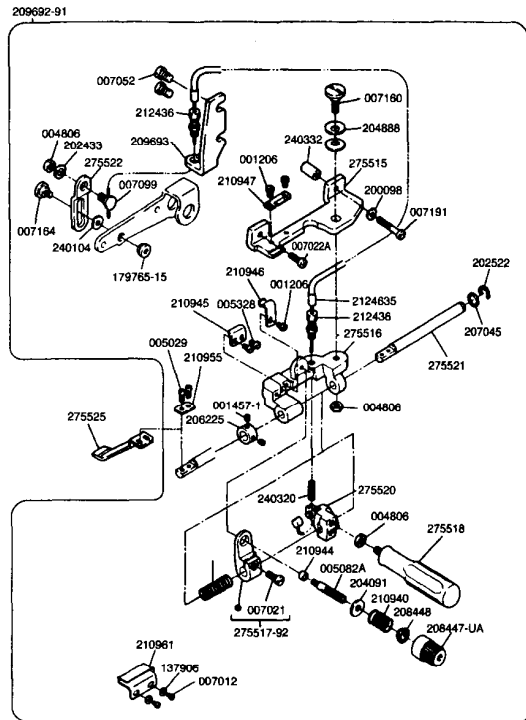


● Attaching tape Quattro 24

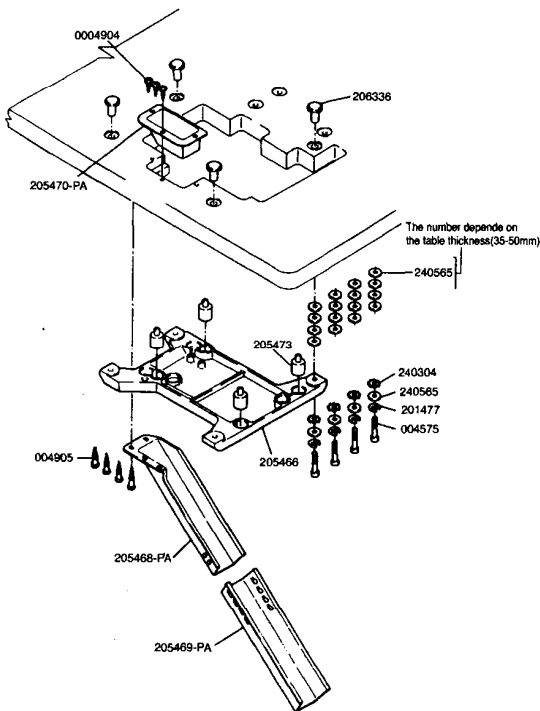


22

Shirring subclass

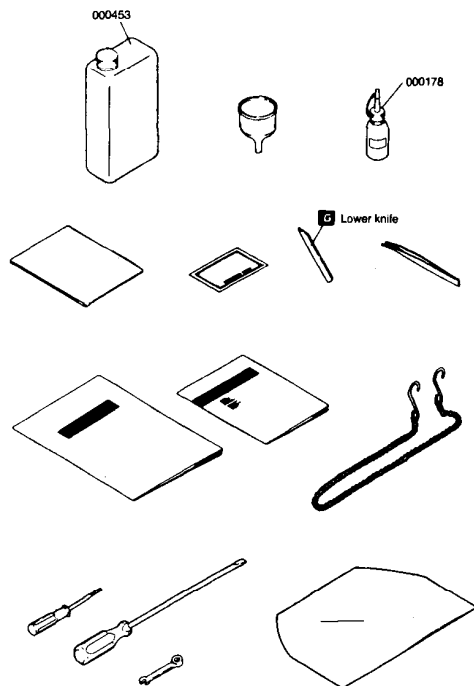


23



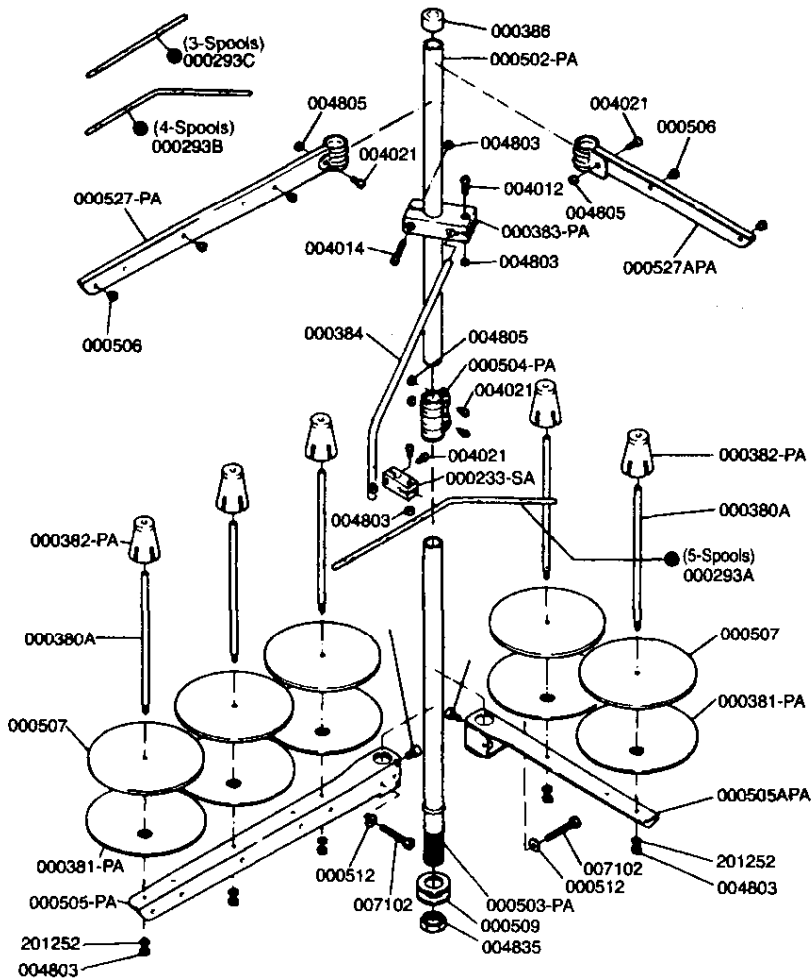
24

G Please confirm the correct part by the gauge parts lists.



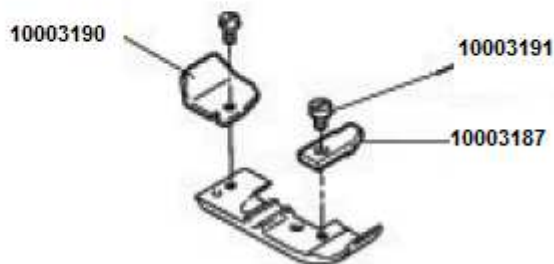
25

- (3-Spools)
000486C9P
- Quattro 24
(4-Spools)
000486B9P
- Cinque
(5-Spools)
000486A9P



(Turn down hemming • Plain seaming)

Tre Orlo 15



Gauge parts book

Machine type	Gauge		Needle plate	Thred take-up	Main feed dog ass.	Main feed dog	Auxiliary feed dog	Differential feed dog	Presser foot	Presser foot finger	Upper looper	Lower looper
	NG	SW										
Tre 04		4	10009578	10009523	10009579 / 208078-BF	10003209 / 204675ABF	10003208 / 204674	10009610 / 204676-BF	10011305	10004564	10009609	10009516 / 204072

Machine type	Gauge		Upper knife	Lower knife	Needle guard		Needle holder	Needle
	NG	SW			Front	Rear		
Tre 04		4	10009611 / 201121A	10010866 / 202295	10009313 / 204659	10009517 / 209009	1009296	B-27

Machine type	Gauge		Needle plate	Thred take-up	Main feed dog ass.	Main feed dog	Auxiliary feed dog	Differential feed dog	Presser foot	Presser foot finger	Upper looper	Lower looper
	NG	SW										
Tre Orlo 15		1,5	10013122	100122162	10013121	10006250	10006251	10013120	10009612	10004337	10009609	10009516 / 204072

Machine type	Gauge		Upper knife	Lower knife	Needle guard		Needle holder	Needle
	NG	SW			Front	Rear		
Tre Orlo 15		1,5	10009611 / 201121A	10010866 / 202295	10009313 / 204659	10009517 / 209009	1009296	B-27

Machine type	Gauge		Needle plate	Needle plate chaining off finger	Main feed dog ass.	Main feed dog	Auxiliary feed dog	Differential feed dog	Presser foot	Presser foot finger	Upper looper	Lower looper
	NG	SW										
Quattro 24	2	4	202554E	202791A	208078-BF	204675ABF	204674	204676-BF	208730	208732	204949	204072

Machine type	Gauge		Upper knife	Lower knife	Needle guard		Needle holder	Needle
	NG	SW			Front	Rear		
Quattro 24	2	4	201121A	202295	204659	209009	208905A92	B-27

Machine type	Gauge		Needle plate	Needle finger plate	Main feed dog ass.	Main feed dog	Auxiliary feed dog	Differential feed dog	Presser foot ass.	Upper looper	Lower looper	Chainstitch looper
	NG	SW										
Cinque 35	3	4	204367	210505	208066	204396	208060	208219	208501	204702	204072	209685

Machine type	Gauge		Upper knife	Lower knife	Needle guard		Chainstitch needle guard		Needle holder	Needle
	NG	SW			Front	Rear	FRONT	REAR		
Cinque 35	3	4	201121A	204161	209668	209009	204536	209669	208909B92	B-27



Dealer:

--