

Parts list

High speed interlock
sewing machine

Treccia

 ***texi***®

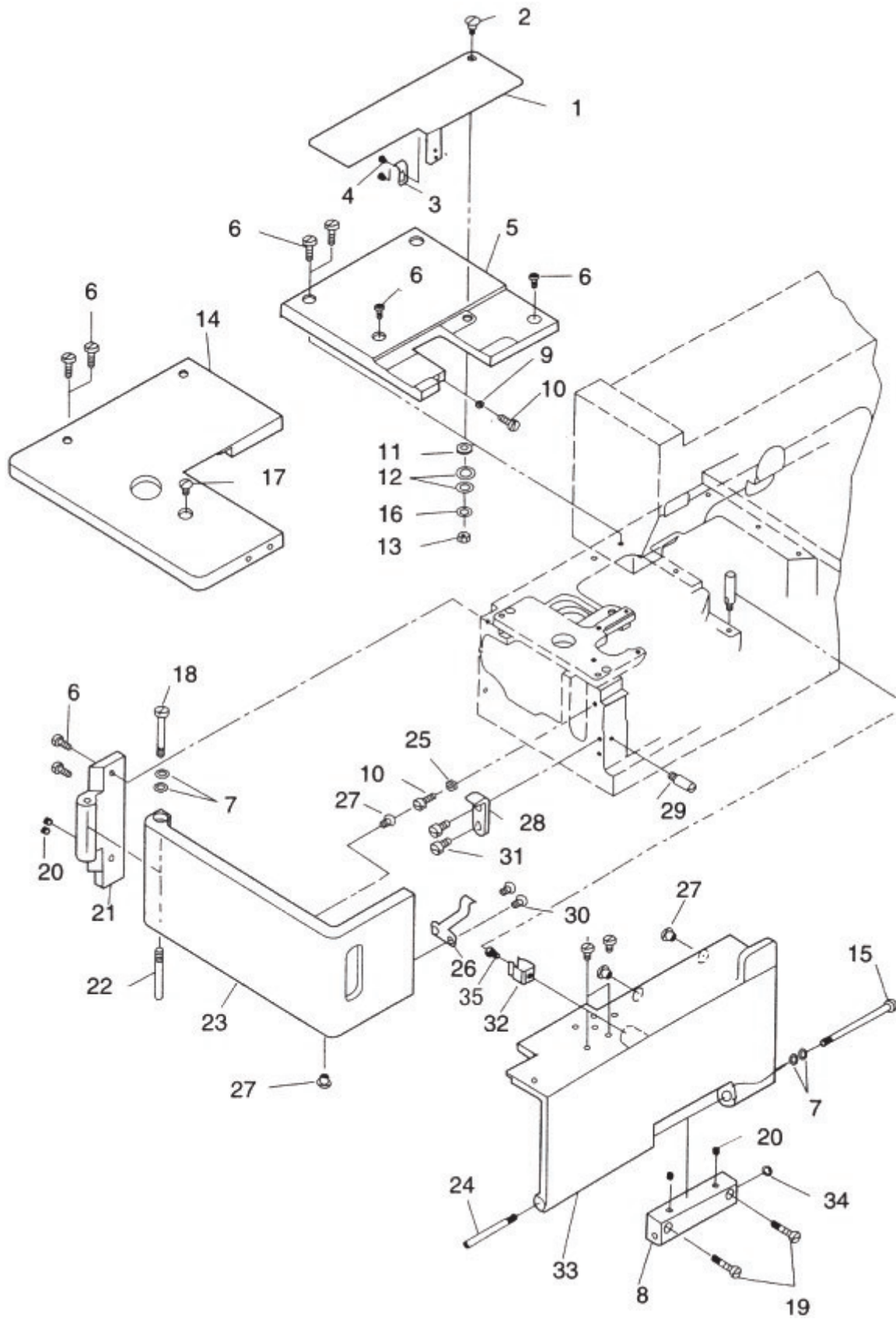
CONTENTS

1. Miscellaneous covers A	2
2. Miscellaneous covers B	4
3. Miscellaneous covers C	6
4. Feed driving control mechanism	8
5. Driving components	10
6. Shaft driving components	12
7. Looper driving components	14
8. Upper shaft mechanism	16
9. Needle thread take-up mechanism	18
10. Needle bar & spreader mechanism	20
11. Presser foot mechanism	23
12. Top cover thread eyelet	25
13. Thread take-down mechanism	27
14. Lubricating mechanism	29
15. Table mechanism	31
16. Binding - optional parts	33
17. Attachment box	35

1. Miscellaneous covers A

Ref. No.	Part No.	Description	QTY
1	20003608	Top Cover	1
2	10012294	Top Cover Gasket	1
3	10010697	Screw (M4 x 12)	10
4	20003786	Machine Frame Unit	1
5	10011006	Seal Plug	1
6	10002924	Screw (GB/T 65-2000 class A-M4 x 6)	4
7	10013910	Needle Thread Take-up Guard	1
8	10010828	Screw (M4)	1
9	10012958	Oil Sight Window	1
10	10009470	Washer (GB/T 860-1987-6)	1
11	10011264	Screw (M4 x 8)	2
12	10010523	Needle Bow Diapylasis Plate	3
13	10014413	Screw (M2.5 x 4)	3
14	10010499	Needle Thread Eyelet	1
15	10030221	Directly Driving Type Mini-Servo Motor	1
16	10012174	Mini-Servo Motor Cover	1
17	10011044	Screw (M4 x 10)	3
18	10007068	Screw (GB/T 65-2000 class A-M4 x 10)	1
19	10010697	Screw (M4 x 12)	10
20	20006670	Head Cover	1
21	10010774	Eyelet Cover	1
22	10010689	Pin (2 x 7)	2
23	10002954	Washer (GB/T 848-2002 class A-4)	2
24	10010765	Needle Thread Eyelet	1
25	10010189	Head Cover Gasket	1
26	10007068	Screw (GB/T 65-2000 class A-M4 x 10)	4
27	20003809	SP Container Set	1
28	10007654	Screw (GB/T 65-2000-M3 x 5)	2
29	10007654	Screw (GB/T 65-2000-M3 x 5)	2
30	10010768	SP Container Set Cover	1
31	10010772	Thread Eyelet Support	1
32	10010826	Thread Eyelet	3
33	10013170	Seal Plug	1
34	10011049	Screw (M4 x 8)	1
35	10011127	Safety Plate	1
36	10010825	Felt	1
37	10011907	Safety Plate Holder	1
38	10011126	Safety Plate Support	1
39	10013019	Screw (M3 x 4)	3
40	20010265	Machine Frame Unit	1

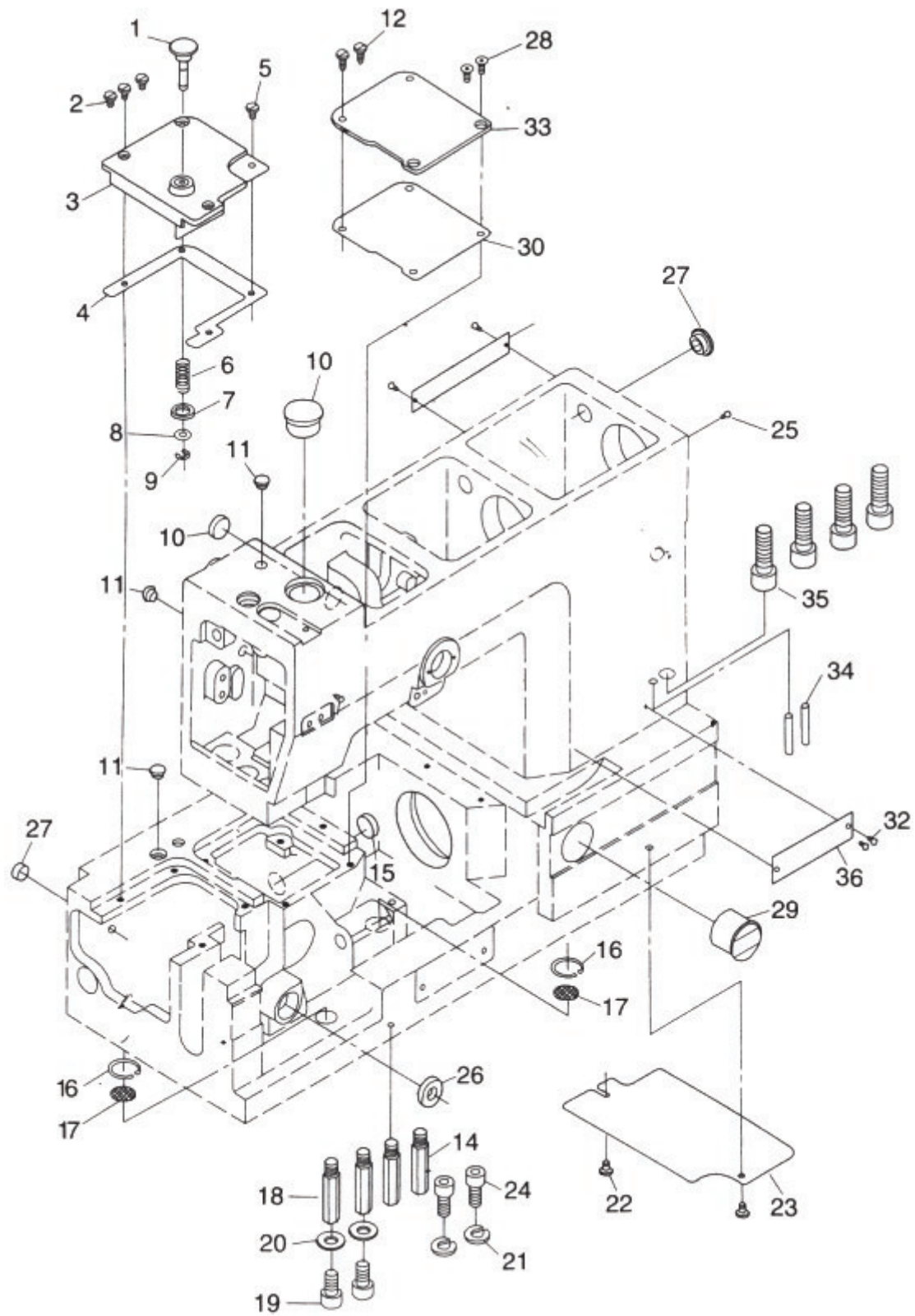
2. Miscellaneous covers B



2. Miscellaneous covers B

Ref. No.	Part No.	Description	QTY
1	10010714	Looper Thead Take-up Cover	1
2	10011222	Screw (M4)	1
3	10011216	Spring	1
4	10002960	Screw (GB/T 67-2000 class A-M2.5 x 3)	2
5	20003772	Cloth Plate	1
6	10003066	Screw (M4 x 12)	8
7	10003026	Washer (GB/T 860-1987-5)	4
8	20003769	Front Cover Hinge	1
9	10009471	Nut (GB/T 6170-2000 class A-M4)	1
10	10003066	Screw (GB/T 67-2000 class A-M4 x 12)	2
11	10002997	Washer (GB/T 96.1-2002 class A-4)	1
12	10009470	Washer (GB/T 860-1987-6)	2
13	10009471	Nut (GB/T 6170-2000 class A-M4)	1
14	20003768	Front Cover	1
15	10011218	Screw (M4)	1
16	10002997	Washer (GB/T 96.1-2002 class A-4)	1
17	10011217	Screw (M4 x 10)	1
18	10010710	Screw (M5)	1
19	10010766	Screw (M4 x 20)	2
20	10009074	Screw (M4 x 4)	4
21	20003773	Front Cover Hinge	1
22	10010711	Screw (M5 x 8.5)	1
23	20003771	Side Cover	1
24	10010713	Screw (M4)	1
25	10009471	Nut (GB/T 6170-2000 class A-M4)	1
26	10010712	Spring	1
27	10011221	Plug	4
28	10011219	Cover	1
29	10010785	Screw (M4)	1
30	10003065	Screw (GB/T 67-2000 class A-M4 x 5)	2
31	10002881	Screw (GB/T 65-2000 class A-M4 x 8)	1
32	10011220	Spring	1
33	20003770	Front Cover	1
34	10003073	Washer (GB/T 95-2002 class C-5)	1
35	10002911	Screw (GB/T 65-2000 class A-M4 x 5)	1

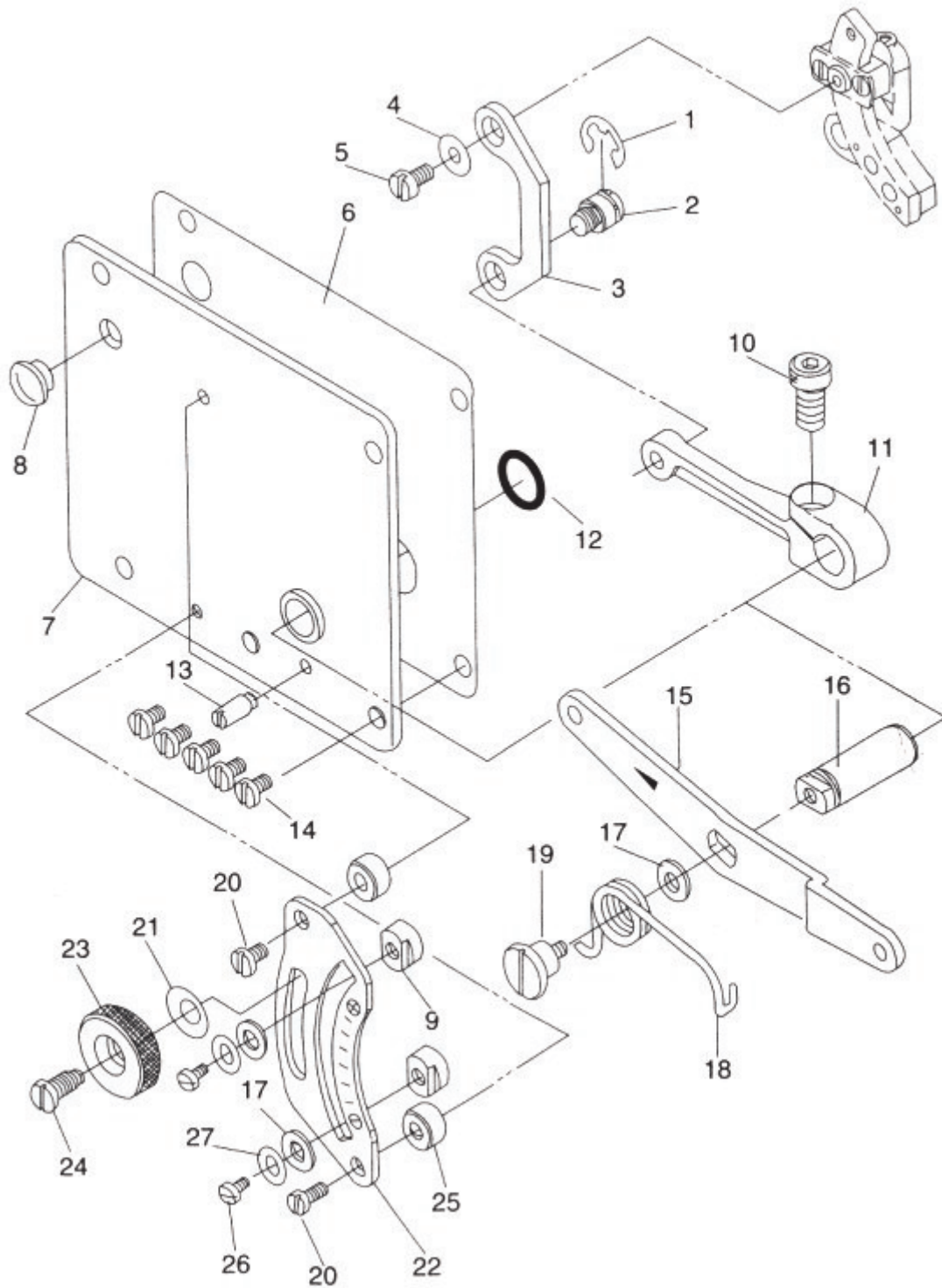
3. Miscellaneous covers C



3. Miscellaneous covers C

Ref. No.	Part No.	Description	QTY
1	10010784	Feed Regulating Pushbutton	1
2	10007068	Screw (M4 x 10)	3
3	10010787	Bed Top Cover	1
4	10010783	Bed Top Cover Gasket	1
5	10002881	Screw (M4 x 8)	1
6	10010778	Spring	1
7	10003825	O-Ring (5 x 1.8-G-N)	1
8	10009447	Washer (GB/T 96.1-2002 class A-5)	1
9	10009669	Retaining Ring (GB/T 896-1986-3.5)	1
10	10010780	Seal Plug	2
11	10010720	Seal Plug	3
12	10010722	Screw (M4 x 10)	2
14	10010721	Screw	2
15	10010782	Seal Plug	1
16	10003280	Retaining Ring (GB/T 893.1-1986 A type-16)	2
17	10010777	Oil Filter Screen	2
18	10010779	Screw	2
19	10003094	Screw (GB/T 70.1-2000 class A-M6 x 20)	2
20	10009222	Washer (6.8 x 20 x 2.8)	2
21	10006282	Washer (GB/T 859-1987-8)	2
22	10002924	Screw (GB/T 65-2000 class A-M4 x 6)	2
23	10010724	Dustproof Plate	1
24	10003093	Screw (GB/T 70.1-2000 class A-M8 x 20)	3
25	10002840	Rivet	1
26	10009399	Oil Seal (10 x 19 x 4)	1
27	10013171	Seal Plug	2
28	10009195	Screw (M4×7.80)	2
29	10010781	Oil Sight Gauge oil Receiver	1
30	10010723	Gasket	1
32	10002840	Rivet	2
33	10010786	Cover	1
34	10007433	Pin (GB/T 879.1-2000-5 x 30)	2
35	10007432	Screw (GB/T 70.1-2000 class A-M10 x 30)	4
36	10031121	Model Plate	1

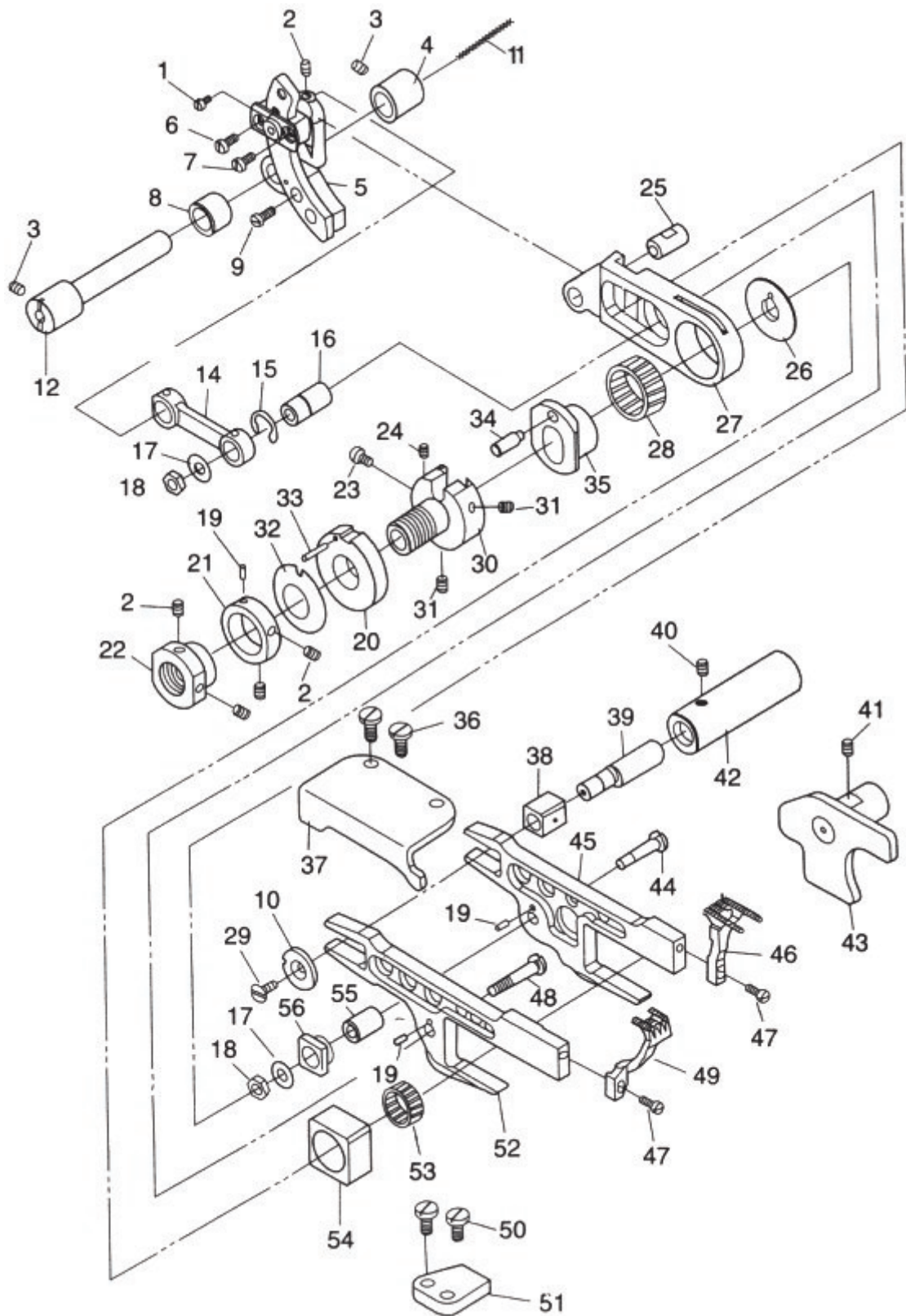
4. Feed driving control mechanism



4. Feed driving control mechanism

Ref. No.	Part No.	Description	QTY
1	10009654	Retaining Ring (GB/T 896-1986-6)	1
2	10010864	Slider Ling Pin	1
3	10010850	Slider Link	1
4	10003083	Washer (GB/T 97.1-2002 class A-4)	1
5	10010852	Screw (M3.5 x 6)	1
6	10010860	Gasket	1
7	10014187	Plate	1
8	10010845	Seal Plug	1
9	10010853	Nut (SM11/64" x 40)	2
10	10009008	Screw (M6 x 16)	1
11	10010851	Differential Lever	1
12	10010848	O-Ring	1
13	10010855	Screw (M4 x 3)	1
14	10007068	Screw (GB/T 65-2000 class A)	5
15	10010857	Differential Lever	1
16	10010849	Differential Lever Shaft	1
17	10010846	Washer (4.5 x 9.7 x 0.8)	3
18	10010859	Spring	1
19	10010854	Screw (M4)	1
20	10013177	Screw (M3.5 x 10.7)	2
21	10010861	Washer (6.1 x 12.5 x 1.1)	1
22	10010863	Differential Feed	1
23	10010847	Nut	1
24	10010856	Screw	1
25	10010858	Differential Lever Stop	2
26	10010865	Screw (SM11/64" x 40)	2
27	10010862	Washer (5 x 9.1 x 0.6)	2

5. Driving mechanism



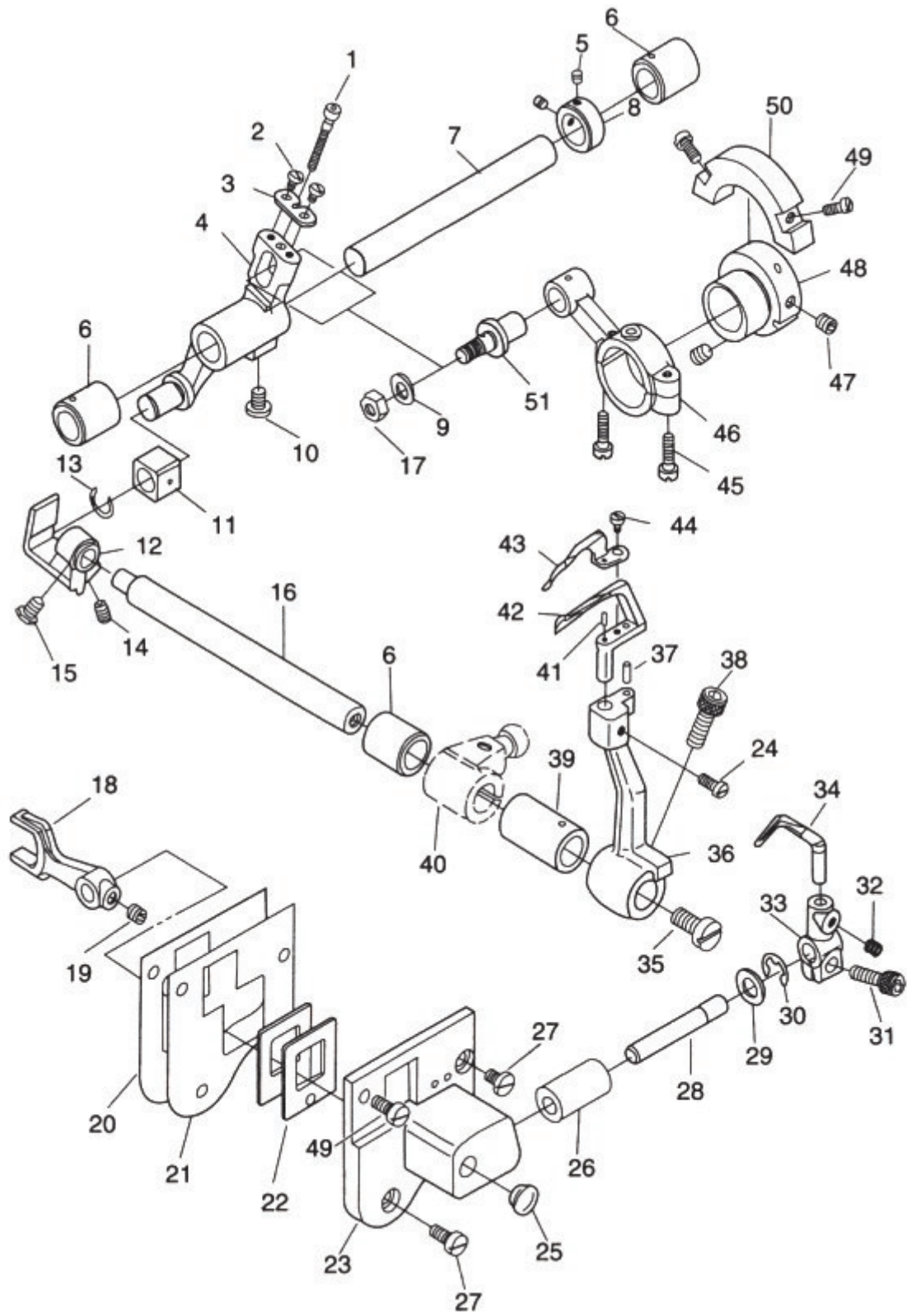
5. Driving mechanism

Ref. No.	Part No.	Description	QTY
1	10002904	Screw (GB/T 65-2000 class A-M3 x 4)	1
2	10010822	Screw (M4 x 3)	5
3	10011803	Screw (M5 x 6)	1
4	10011123	Bushing	1
5	10014188	Retaining Complete Set	1
6	10004265	Screw (M3.5 x 6)	1
7	10004277	Screw (M3.5 x 7.5)	1
8	10011728	Bushing	1
9	10002904	Screw (GB/T 65-2000-M3 x 4)	1
10	10011731	Plate	1
11	10008069	Oil Wick (φ2)	1
12	10011737	Retaining Shaft	1
14	10010820	Retaining Connection	1
15	10011732	Retaining Ring	1
16	10011723	Driving Shaft	1
17	10010846	Washer (4.5 x 9.7 x 0.8)	2
18	10014367	Nut (SM11/64" x 40)	2
19	10004273	Pin (2 x 5)	1
20	10004275	Feed Dog Eccentric	1
21	10004266	Retaining Ring	1
22	10004276	Nut	1
23	10022376	Screw	1
24	10010821	Screw (M3 x 3)	1
25	10010819	Connecting Rod Pin	1
26	10011730	Washer	1
27	10010818	Feed Dog Driving Connecting Rod	1
28	10008149	Bearing (K17 x 21 x 10)	1
29	10011727	Screw (SM1/8" x 44)	1
30	10004269	Feed Dog Regulating Eccentric	1
31	10011729	Screw (M4 x 6)	2
32	10004268	Spring (12.5 x 25 x 2.2)	2
33	10004267	Pin	1
34	10004279	Pin	1
35	10004274	Feed Dog Regulating	1
36	10011801	Screw (M4 x 8)	2
37	10011796	Feed Bar Up Plate	1
38	10009633	Feed Bar Block	1
39	10011735	Feed Adjusting Bin	1
40	10012062	Screw (SM11/64" x 40)	1
42	10011801	Screw (M4 x 8)	1
41	10011129	Bushing	1
43	10011804	Feed Bar Right Plate	1
44	10011726	Screw (SM11/64" x 40)	1
45	10004733	Feed Bar	1
46	10011725	Main Feed Dog	1
47	10011733	Screw (SM9/64" x 40)	2
48	10011740	Screw (SM11/64" x 40)	1
49	10011736	Differential Feed Dog	1
50	10011794	Screw (M4 x 10)	2
51	10011799	Feed Bar Left Plate	1
52	10004734	Differential Feed Bar	1
53	10006160	Bearing (K12×15×9.7)	1
54	10011734	Feed Bar Block	1
55	10011739	Feed Dog Driving Bushing	1
56	10011738	Feed Dog Driving Block	1

6. Shaft driving mechanism

Ref. No.	Part No.	Description	QTY
1	10011128	Bushing	1
2	10011970	Oil Take-up	1
3	10002870	Pin (GB/T 119.2-2000 A type-1.5 x 6)	1
4	10004761	Lower Crankshaft	1
5	10014256	Looper Thread Take-up	1
6	10011969	Screw (M6 x 5)	12
7	10004764	Looper Driving Lever	1
8	10012024	Screw (M6 x 15)	1
9	10007436	Looper Connecting Rod	1
10	10004829	Plate	1
11	10009187	Screw (M6 x 8)	1
12	10008125	Timing Belt	1
13	10011798	Screw (M4 x 10)	2
14	10014158	Counterweight	1
15	20001905	Adapter Complete Set	1
16	10011805	O-Ring (37 x 1.3)	4
17	10025877	Bearing (6004N2-2RS)	1
18	10011964	Shaft Joint	1
19	20001906	Adapter Complete Set	1
20	20001909	Oil Pump Driving Worm set	1
21	10025876	Bearing (6004N2-2RS)	1
22	10011923	O-Ring (43 x 1.6)	2
23	10007807	Main Shaft Sprocket	1
24	10004763	O-Ring (15 x 2.8)	2
25	20001914	Adapter Complete Set	1
26	10025862	Bearing (6304NR-2RS)	1
28	10011965	Rear Cover	1
29	10004839	Screw (M3.5 x 6)	4
30	10011966	Screw (M6 x 8)	3
31	10011924	Lower Shaft	1
32	10011962	Pulley	1
33	10003058	Screw (GB/T 65-2000 class A-M5 x 14)	1
34	10011925	Washer (5.2 x 25 x 2)	1
35	10011967	Screw (M4 x 9)	1
36	10012162	Screw (M5 x 5)	2

7. Looper driving mechanism



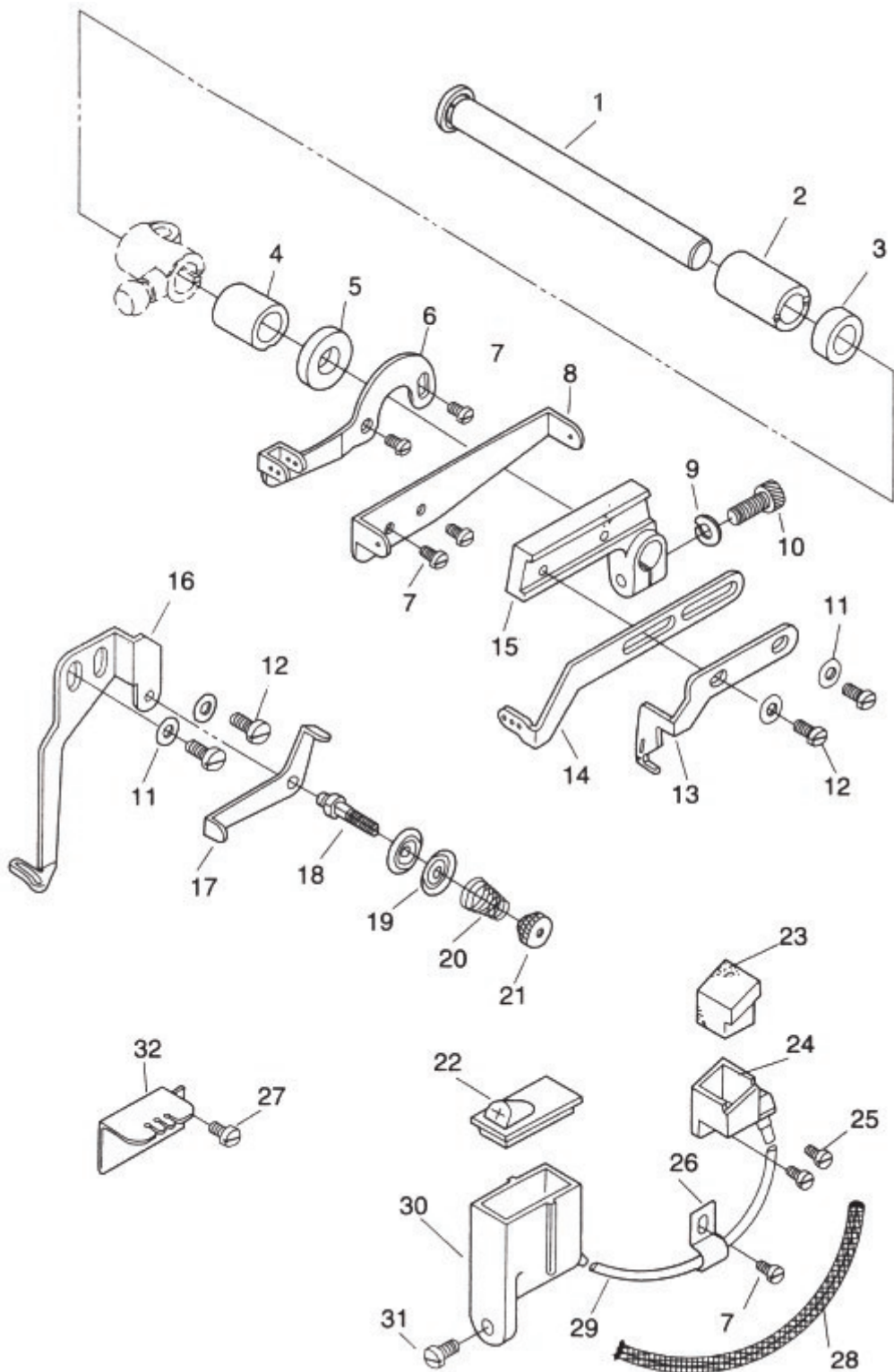
7. Looper driving mechanism

Ref. No.	Part No.	Description	QTY
1	10012027	Screw (M2.5)	1
2	10002915	Screw (GB/T 65-2000 class A-M2.5 x 4)	2
3	10012022	Washer	1
4	10012019	Looper Lever	1
5	10009255	Screw (SM11/8" x 44)	2
6	10011131	Bushing	3
7	10012044	Looper Rocker Shaft	1
8	10012018	Retaining Ring	1
9	10011653	Washer (5.2 x 10.5 x 1)	1
10	10012028	Screw (M5 x 8)	1
11	10026480	Looper Block	1
12	10012021	Looper Rocker Shaft Connecting Rod	1
13	10013038	Retaining Ring (GB/T 896-1986-5)	1
14	10012062	Screw (SM11/64" x 40)	1
15	10012016	Screw (SM11/64" x 40)	1
16	10012038	Looper Shaft	1
17	10002989	Nut (GB/T 6177.1-2000 class A-M5)	1
18	10012061	Needle Guard Bar	1
19	10012014	Screw (M5 x 4)	1
20	10012039	Needle Guard Gasket	1
21	10012041	Needle Guard Washer	1
22	10011973	Washer	2
23	10012017	Needle Guard Support	1
24	10012032	Screw (M4 x 7)	1
25	10012020	Seal Plug	1
26	10012030	Bushing	1
27	10013176	Screw (M4 x 8)	2
28	10012015	Needle Guard Shaft	1
29	10002995	Washer (GB/T 848-2002 class A-6)	1
30	10009653	Retaining Ring (GB/T 896-1986-4)	1
31	10012028	Screw (M5 x 8)	1
32	10009074	Screw (M4 x 4)	1
33	10012033	Needle Guard Connecting Shaft	1
34	10012036	Needle Guard	1
35	10011974	Screw (M6 x 11)	1
36	10012031	Looper Holder	1
37	10002872	Pin (GB/T 119.2-2000-2 x 5)	1
38	10012043	Screw (M5 x 14)	1
39	10011122	Bushing	1
40	10004764	Looper Rocker Arm	1
41	10002870	Pin (GB/T 119.2-2000-1.5 x 6)	1
42	10014285	Looper Set	1
43	10012042	Needle Front Guard	1
44	10002915	Screw (GB/T 65-2000 A-M2.5 x 4)	1
45	10004840	Screw (SM11/64" x 40)	2
46	10014271	Needle Guard Connecting Rod	1
47	10012162	Screw (M5 x 5)	2
48	10012026	Looper Rocker Pin	1
49	10011794	Screw (M4 x 10)	1
50	10012037	Looper Rocker Counterweight	1
51	10012025	Connecting Rod Pin	1

8. Upper shaft mechanism

Ref. No.	Part No.	Description	QTY
1	10014260	Counterweight Set	1
2	10012040	Screw (M5 x 11)	2
3	10012035	Screw (M6 x 11)	2
4	10003535	Bearing (6004/P5)	2
5	10004841	Bushing	1
6	10011966	Screw (M6 x 8)	4
7	10011972	Upper Crankshaft	1
8	10014121	Upper Counterweight	1
9	10012162	Screw (M5 x 5)	2
10	10011964	Shaft Joint	1
11	10012024	Screw (M6 x 15)	2
12	10012070	Crankshaft	1
13	10025876	Bearing (6204N2-2RS)	1
14	10012034	Adapter	2
15	10011923	O-Ring (43 x 1.6)	2
16	10011927	Upper Shaft Sprocket	1
17	10004759	Driving Lever	1
18	10008020	Connecting Rod Set	1
19	10004839	Screw (M3.5 x 6)	4
20	10012075	Upper Shaft	1
21	10014190	Hand wheel Set	1
22	10003073	Washer (GB/T 95-2002 class C-5)	1
23	10003058	Screw (GB/T 65-2000 class A-M5 x 14)	1
24	10011969	Screw (M6 x 5)	12
25	10009187	Screw (M6 x 8)	1

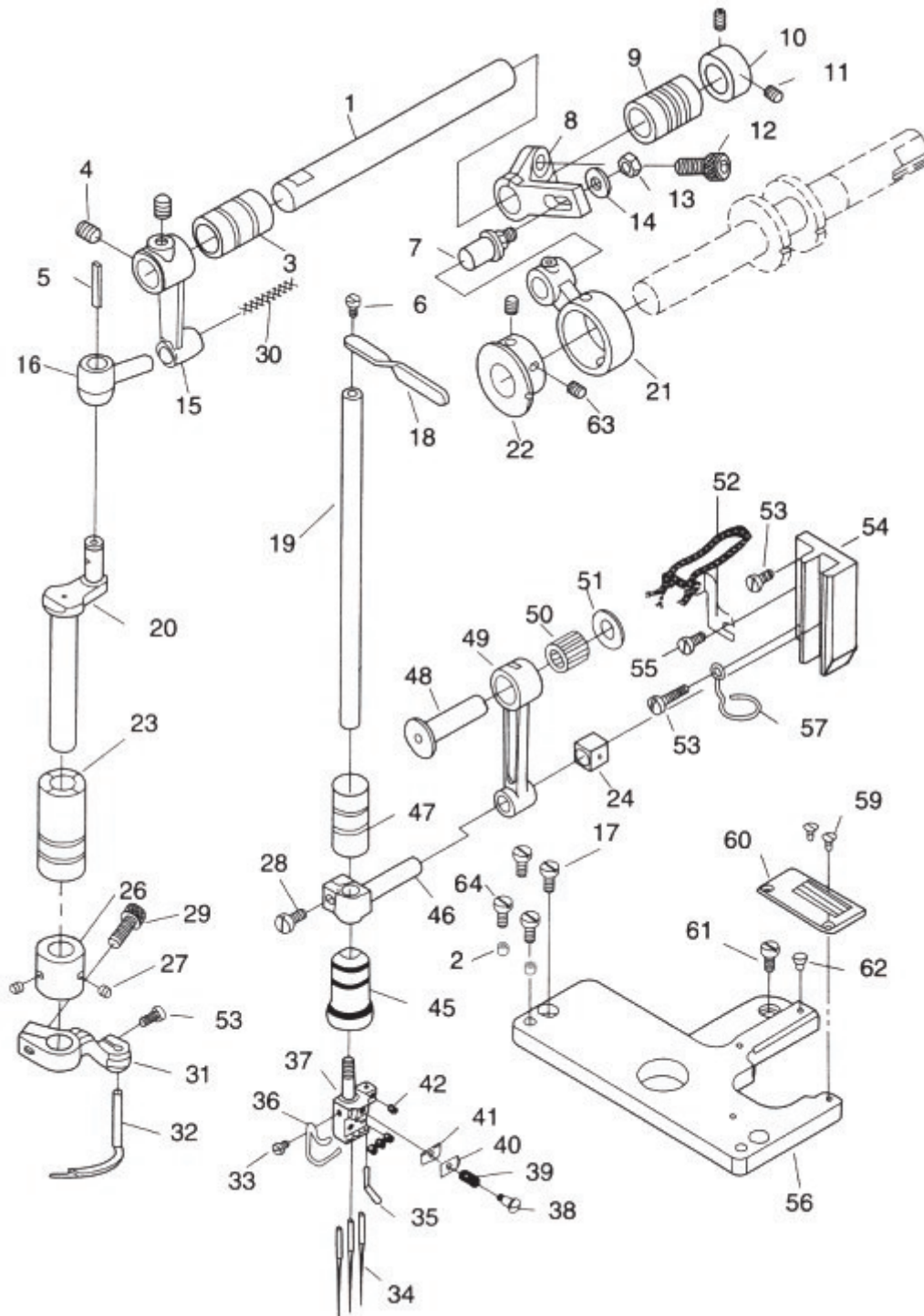
9. Needle thread take-up mechanism



9. Needle thread take-up mechanism

Ref. No.	Part No.	Description	QTY
1	10011301	Driving Shaft	1
2	10011125	Bushing	1
3	10011285	Driving Shaft Bushing	1
4	10011124	Bushing	1
5	10009399	Oil Seal	1
6	10011291	Top Cover Thread Eyelet	1
7	10002924	Screw	5
8	10011300	Needle Thread Take-up	1
9	10005537	Washer (GB/T 93-1987-5)	1
10	10012073	Screw (M5 x 16)	1
11	10003083	Washer (GB/T 97.1-2002 Class A-4)	4
12	10007068	Screw (GB/T 65-2000 class A-M4 x 10)	4
13	10012069	Top Cover Thread Take-up	1
14	10012072	Thread Take-up	1
15	10012074	Bracket	1
16	10012077	Top Cover Thread Guide	1
17	10012067	Supplementary Thread Guide	1
18	10004864	Screw	1
19	10004866	Supplementary Tension Disc	2
20	10004843	Spring	1
21	10004865	Nut (SM9/64" x 40)	1
22	10011294	Lid	1
23	10011286	Felt	1
24	10011296	Sp Container	1
25	10002940	Screw (GB/T 67-2000 class A-M3 x 6)	2
26	10011302	Oil Pipe Eyelet	1
27	10002924	Screw (GB/T 65-2000 class A-M4 x 6)	1
28	10008072	Oil Wick (φ2)	1
29	10007796	Oil Pipe (φ4 x φ6)	1
30	10012071	Sp Container	1
31	10007068	Screw (GB/T 65-2000 class A-M4 x 10)	2
32	10011297	Needle Thread Eyelet	1

10. Needle bar & spreader mechanism



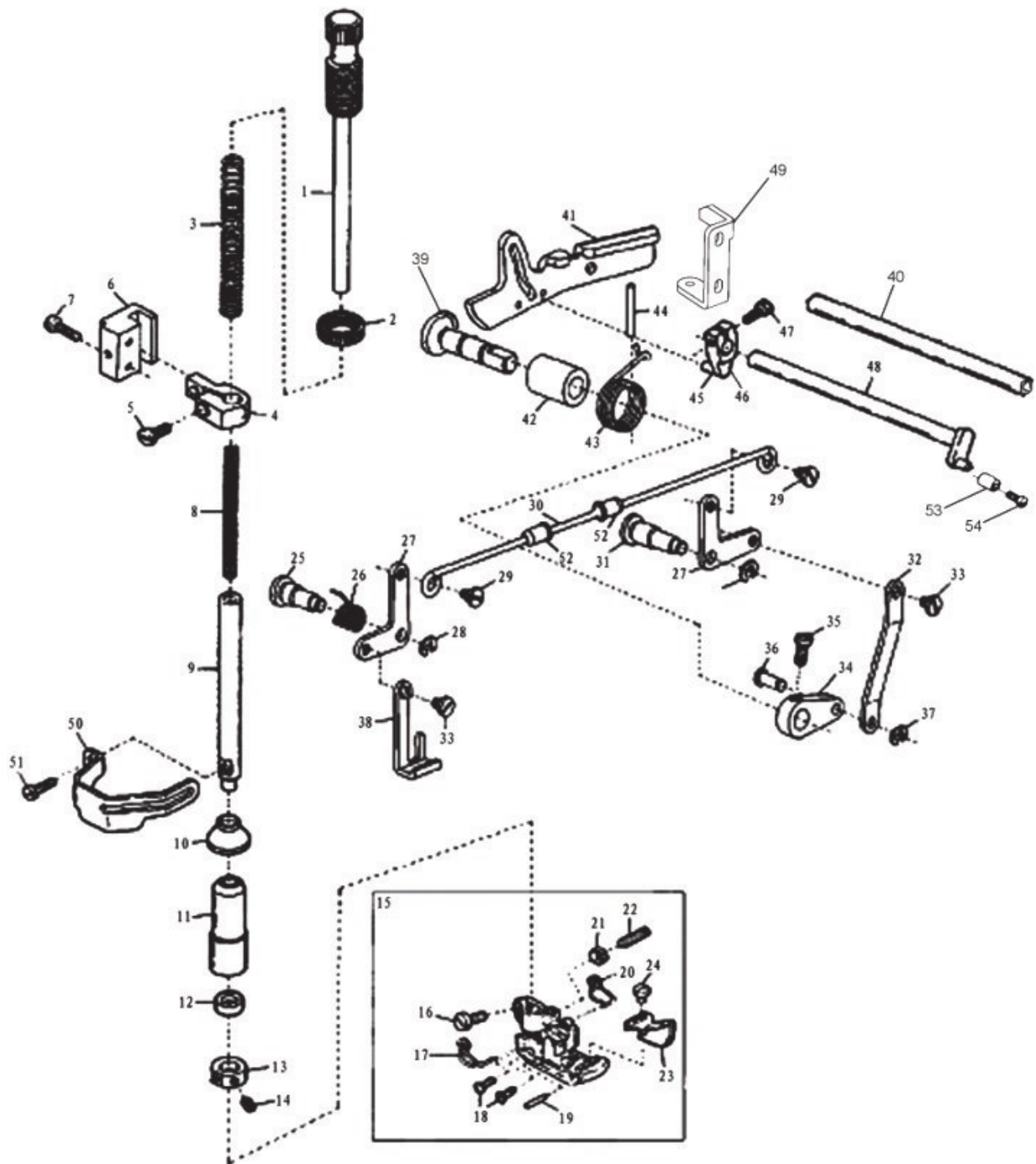
10. Needle bar & spreader mechanism

Ref. No.	Part No.	Description	QTY
1	10011336	Driving Shaft	1
2	10013872	Knock Pin	2
3	10011093	Bushing	1
4	10011292	Screw (M6 x 6)	2
5	10008089	Oil Wick (φ3)	1
6	10010904	Screw	1
7	10011288	Screw (M5)	1
8	10011293	Adjusting Lever	1
9	10011130	Bushing	1
10	10011284	Retaining Ring	1
11	10012014	Screw (M5 x 4)	2
12	10012024	Screw (M6 x 15)	1
13	10002989	Screw (GB/T 6177.1-2000 class A-5)	1
14	10011653	Washer (5.2 x 10.5 x 1)	1
15	10011289	Rocking Arm	1
16	10011298	Rocking Pin	1
17	10007068	Screw (GB/T 65-2000 class A-M4 x 10)	2
18	10013191	Needle Bar Thread Eyelet	1
19	10031108	Needle Bar	1
20	10011282	Counterweight	1
21	10012076	Connecting Rod	1
22	10012068	Eccentric	1
23	10031120	Bushing	1
24	10011340	Slide Block	1
25	10011399	O-Ring	1
26	10011283	Retaining Ring (10 x 19 x 14.5)	1
27	10010822	Screw (M4 x 3)	2
28	10011343	Screw (SM11/64" x 40)	1
29	10011287	Screw (M4 x 12)	1
30	10008089	Oil Wick (φ3)	1
31	10011290	Spreader Holder	1
32	10011356	Spreader	1
33	10011355	Screw (SM1/8" x 44)	1
34	10004902	Needle	3
35	10011299	Top Cover Thread Eyelet	1
36	10011351	Needle Clamp Spring	1
37	10011295	Needle Clamp	1
38	10011348	Screw (SM1/8" x 44)	1
39	10011338	Spring	1
40	10011345	Tension Eyelet	1
41	10011349	Tension Eyelet	1
42	10009255	Screw (SM1/8" x 44)	4
45	10011911	Bushing	1
46	10011352	Needle Bar Bracket	1
47	10011132	Bushing	1
48	10011346	Pin	1
49	10011353	Connecting Rod	1
50	10007750	Bearing	1
51	10011339	Washer (8 x 16 x 1)	1
52	10011303	Oil Eyelet	1

10. Needle bar & spreader mechanism

Ref. No.	Part No.	Description	QTY
53	10003102	Screw (GB/T 70.1-2000 A 12.9-M4 x 12)	3
54	10011344	Needle Bar Guide	1
55	10011397	Screw (M3.5 x 5)	1
56	10011350	Stitch Plate Support	1
57	10011341	Oil Felt Support	1
59	10011358	Screw (SM9/64" x 40)	2
60	10011337	Stitch Plate	1
61	10002881	Screw (GB/T 65-2000 A-M4 x 8)	1
62	10012726	Plug	1
63	10012162	Screw (M5 x 5)	2
64	10012253	Screw (M3 x 8)	2

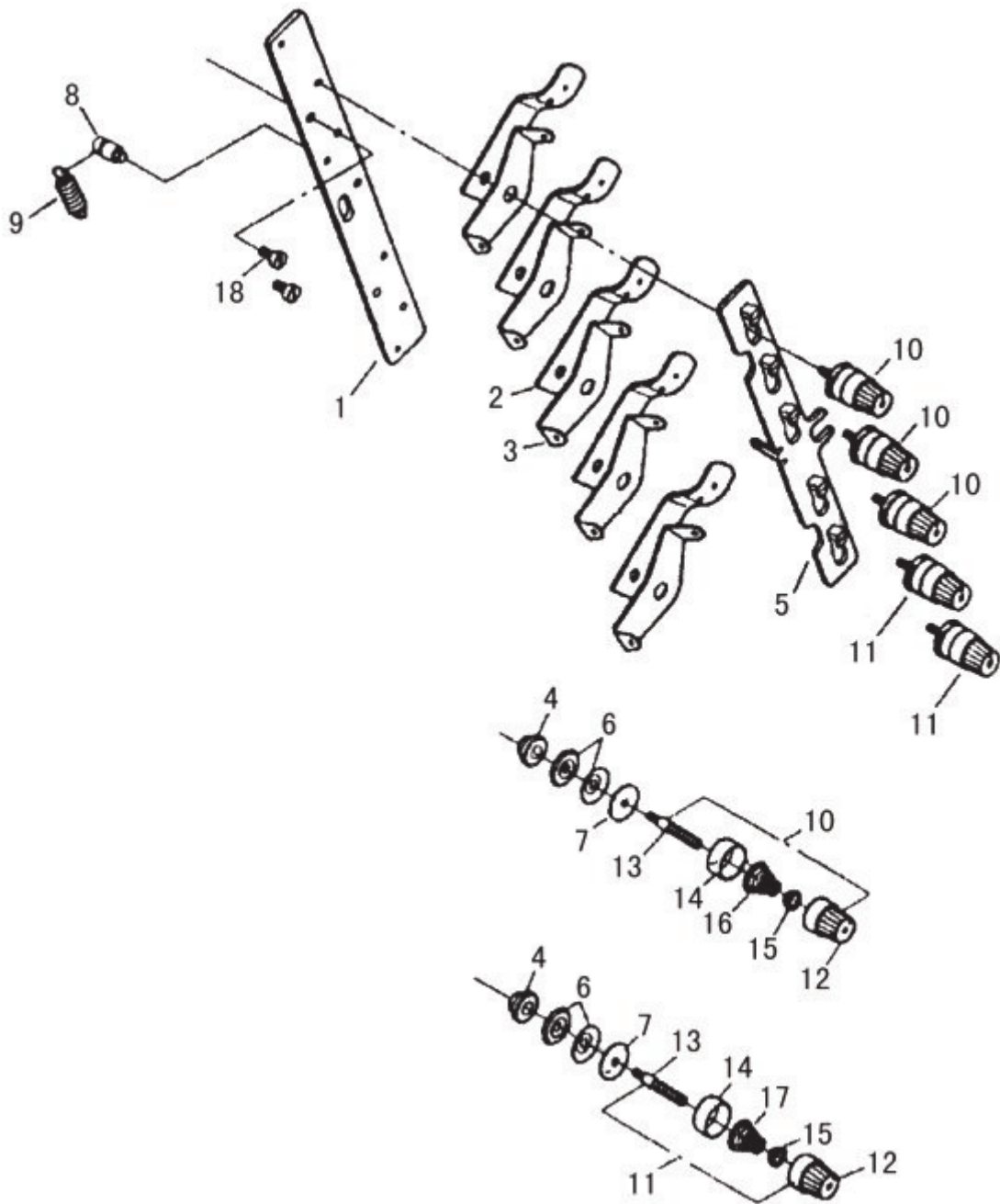
11. Presser foot mechanism



11. Presser foot mechanism

Ref. No.	Part No.	Description	QTY
1	10004127	Screw	1
2	10011913	Nut	1
3	10010492	Spring	1
4	10011879	Presser Bar Connecting Bracket	1
5	10009037	Screw (M4 x 12)	1
6	10011883	Presser Bar Guide	1
7	10013732	Screw (SM11/64" x 40)	2
8	10011888	Spring	1
9	10010496	Presser Bar	1
10	10011457	Oil Protector Cover	1
11	10011108	Bushing	1
12	10011180	Oil Seal	1
13	10011878	Collar	1
14	10011887	Screw (SM9/64" x 40)	2
15	*	Presser Foot, Complete Set	1
16	10009115	Screw (M3.5 x 8)	1
17	10004710	Spring	1
18	10003933	Screw (M2.5 x 4.2)	4
19	10005598	Pin	1
20	10004809	Spring	1
21	10005577	Nut	1
22	10005576	Screw	1
23	10005595	Fabric Guide	1
24	10005573	Screw (M2.5 x 3.5)	1
25	10031110	Lever Pin	1
26	10010493	Spring	2
27	10031111	Presser Foot Lever	2
28	10010649	Collar	2
29	10013217	Screw (SM3/16" x 40)	2
30	10010464	Presser Foot Rod	1
31	10031110	Lever Pin	1
32	10031113	Connecting Plate	1
33	10003496	Screw	2
34	10010458	Lifter Lever	1
35	10011664	Screw (SM15/64" x 28)	1
36	10011886	Pin	1
37	10003248	Collar	1
38	10010487	Lifter Link Plate	1
39	10031114	seat	2
40	10031118	Bushing	1
41	10031115	Lifter Lever	1
42	10011105	Bushing	1
43	10010495	Spring	1
44	10002772	Pin	1
45	10011802	Pin	1
46	10011395	Tension Release Lever	1
47	10011625	Screw (SM11/64" x 40)	1
48	10031119	Tension Release Shaft	1
49	10031116	Plate	1
50	10011881	Finger Guard	1
51	10011882	Screw (M3 x 4.6)	1
52	10004599	Seal Plug	2
53	10011987	Tension Release Roller	1
54	10002959	Screw	1

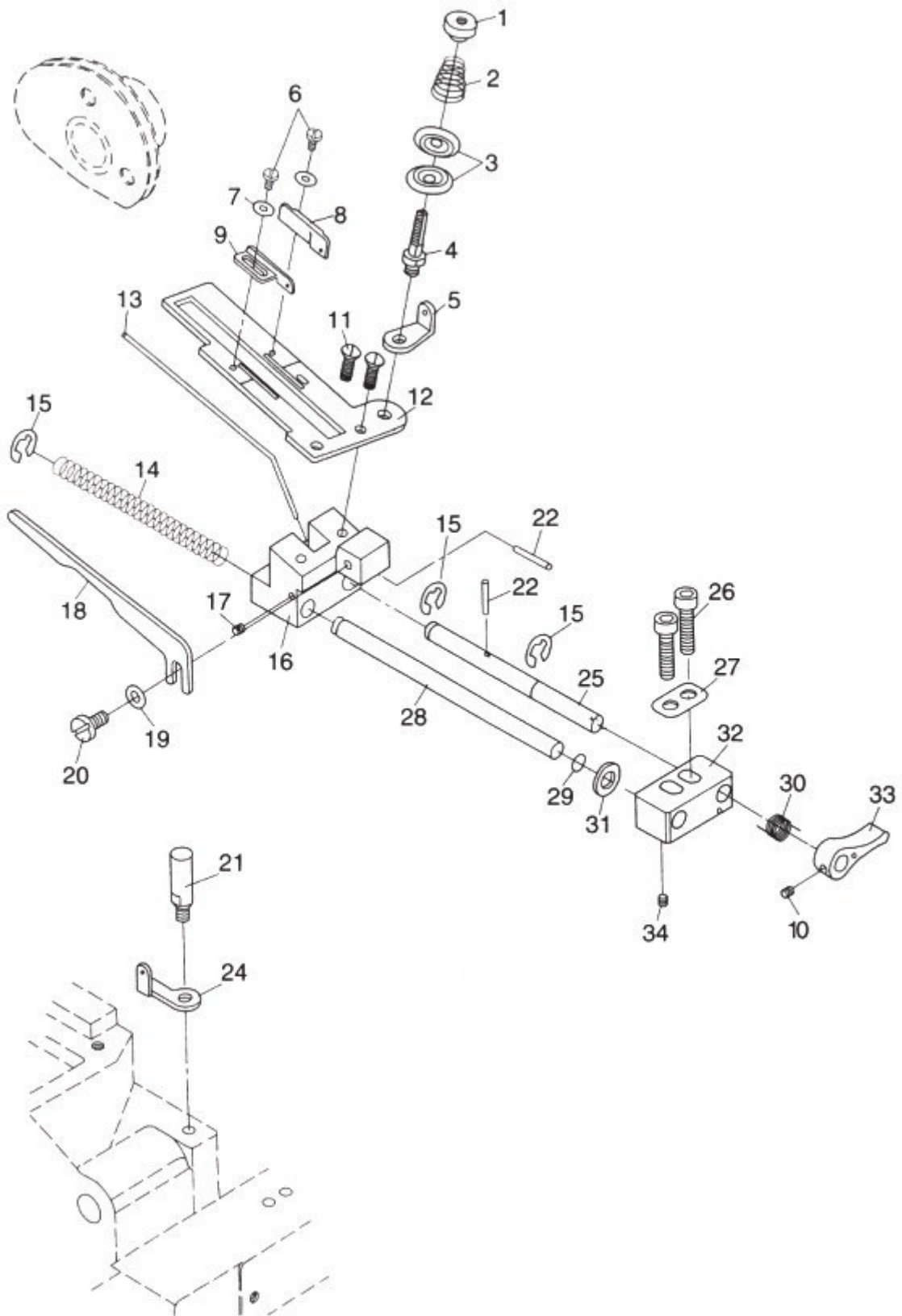
12. Top cover thread eyelet



12. Top cover thread eyelet

Ref. No.	Part No.	Description	QTY
	20005135	thread tension asm	1
1	10011978	Tension Post Support	1
2	10011934	Thread Lead-in Guid	5
3	10011936	Tension Disc Eyelet	5
4	10011983	Tension Post Ferrule	5
5	10004801	Tension Post Support	1
6	10011935	Tension Disc	10
7	10011939	Felt	5
8	10011982	Pin	1
9	10011984	Spring	1
10	10022060	Thread Tension Spring Cap 1	3
11	10022844	Thread Tension Spring Cap 1	2
12	10004835	Nut	5
13	10004820	Screw	5
14	10004833	Thread Tension Spring Retainer	5
15	10004834	Thread Tension Spring Cover	5
16	10007863	Spring	3
17	10007848	Spring	2
18	10002881	Screw (GB/T 65-2000 A-M4 x 8)	2

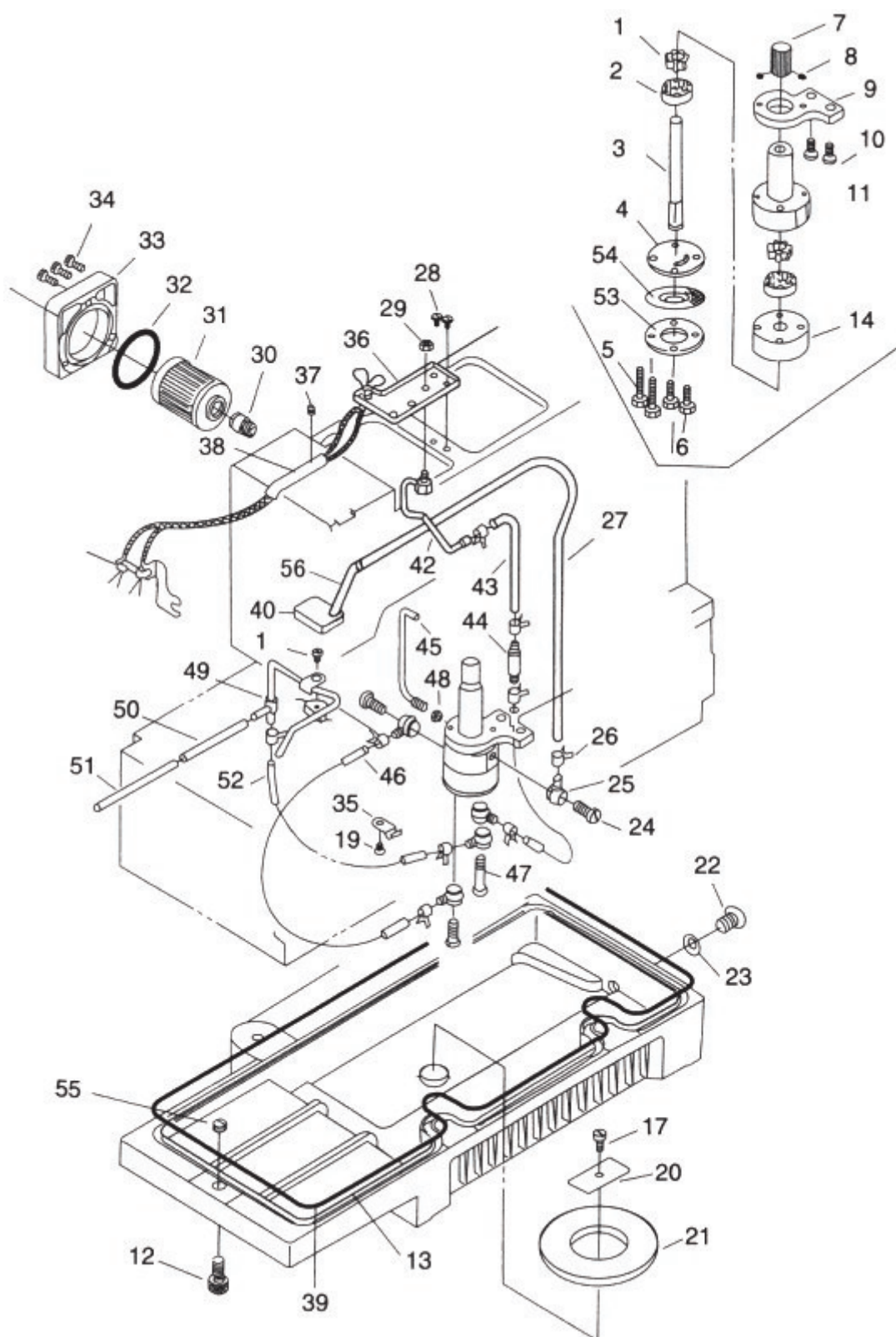
13. Thread take-down mechanism



13. Thread take-down mechanism

Ref. No.	Part No.	Description	QTY
1	10004865	Nut (SM9/64" x 40)	1
2	10004843	Spring	1
3	10004866	Supplementary Tension Disc	2
4	10004864	Screw	1
5	10012058	Looper Thread Eyelet	1
6	10002915	Screw (GB/T 65-2000 A-M2.5 x 4)	2
7	10003123	Washer (GB/T 848-2002 A-2.5)	2
8	10011980	Thread Take-up Eyelet (Right)	1
9	10011988	Thread Take-up Eyelet (Left)	1
10	10009255	Screw (SM1/8" x 44)	2
11	10002881	Screw (GB/T 65-2000 A-M4 x 8)	2
12	10011979	Supporting Plate	1
13	10011975	Thread Take-up	1
14	10011992	Spring	1
15	10009653	Retaining Ring (GB/T 896-1986-4)	3
16	10011981	Thread Take-up Support	1
17	10011989	Screw (M3 x 6)	1
18	10012082	Thread Take-up Eyelet	1
19	10010846	Washer (4.5 x 9.7 x 0.8)	1
20	10002924	Screw (GB/T 65-2000 A-M4 x 6)	1
21	10012078	Connecting Pin	1
22	10002773	Pin (GB/T 879.1-2000 -2 x 12)	2
24	10012079	Thread Eyelet	1
25	10011986	Thread Guide	1
26	10012080	Screw (M4 x 20)	2
27	10012057	Thread Washer	1
28	10011991	Thread Guide	1
29	10003826	O-Ring (GB/T 3452.1-2005-6 x 1.8-G-N)	1
30	10011943	Spring	1
31	10004936	Washer (GB/T 95-2002 C-6)	1
32	10011977	Connecting Block	1
33	10011976	Thread Wrench	1
34	10009074	Screw	1

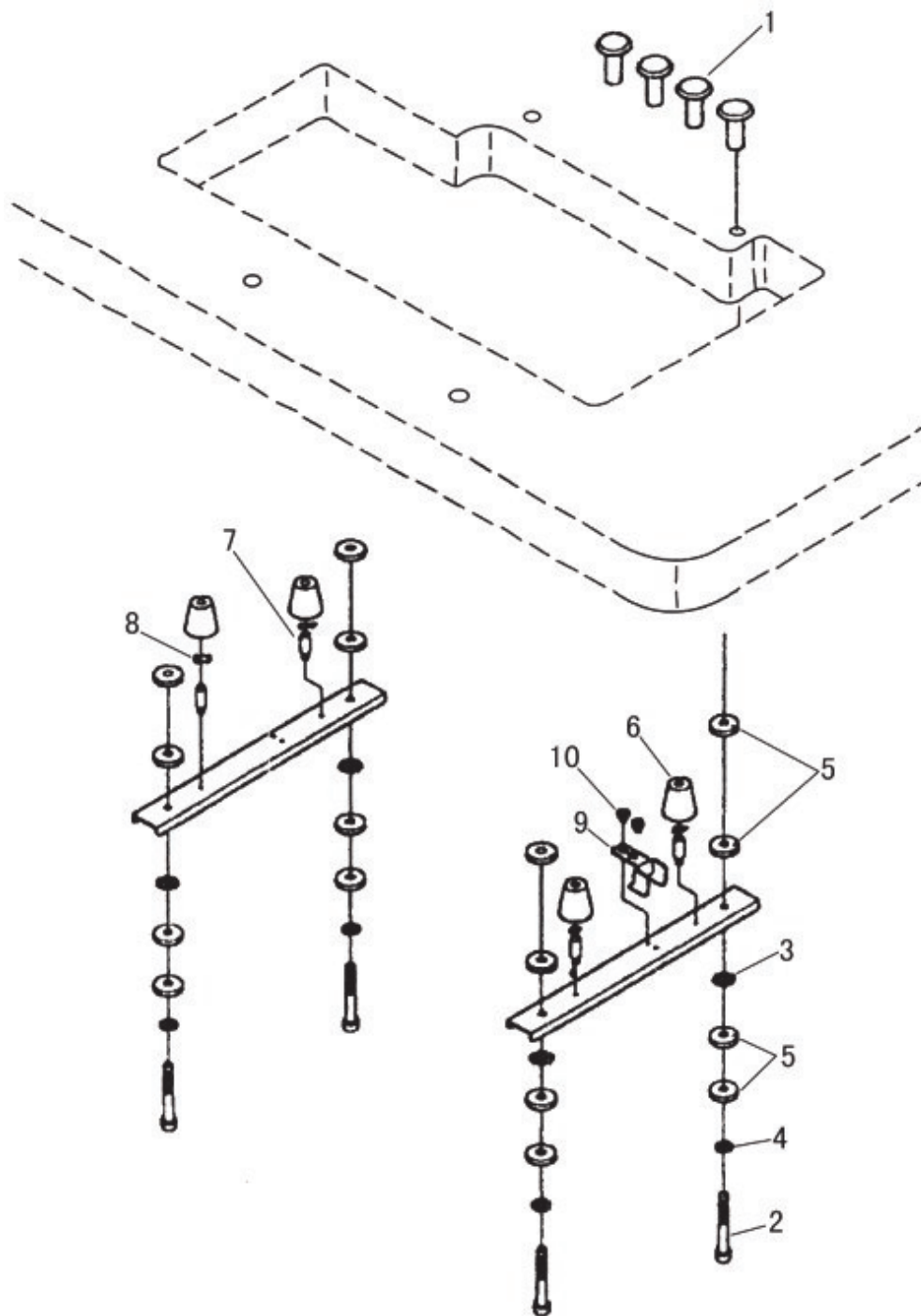
14. Lubricating mechanism



14. Lubricating mechanism

Ref. No.	Part No.	Description	QTY
1	10004873	Oil Pump Gear	1
2	10004880	Oil Pump Gear	1
3	10004879	Oil Pump Shaft	1
4	10004871	Oil Pump Cover	1
5	10003091	Screw (GB/T 70.1-2000 A-M4 x 40)	2
6	10003097	Screw (GB/T 70.1-2000 A-M4 x 25)	2
7	10004851	Oil Pump Driving Worm Gear	1
8	10009074	Screw (M4 x 4)	1
9	10004877	Oil Pump Connecting Plate	1
10	10011313	Screw (M6 x 12)	2
11	10004872	Oil Pump Body 1	1
12	10003093	Screw (GB/T 70.1-2000-M8 x 20)	1
13	10012106	Oil Reservoir	1
14	10004878	Oil Pump Body 2	1
19	10007068	Screw (GB/T 65-2000 class A-M4 x 10)	1
20	10012110	Magnet Holder	1
21	10004427	Magnet	1
22	10009264	Screw (SM3/8" x 28)	1
23	10009263	Washer	1
24	10012084	Screw (SM1/4" x 40)	2
25	10012103	Oil Tube Joint	4
26	10011471	Oil Tube Clamp	7
27	10007795	Oil Tube (φ3.5 x φ5)	1
29	10009471	Nut (GB/T 6170-2000 A-M4)	1
30	10012104	Screw (M10×7)	1
31	10014236	Oil Filter	1
32	10003793	O-Ring (GB/T 3452.1-2005-38.7 x 3.55-G-N)	1
33	20003647	Oil Filter Cap	1
34	10002959	Screw (GB/T 65-2000 A-M4 x 16)	3
35	10012081	Oil Tube Plate	1
36	10012105	Oil Receiver	1
37	10011314	Screw (M4 x 6)	1
38	10014238	Oil Tube	1
39	10012111	Washer	1
40	10011307	Felt	1
42	10031623	Suction Pipe Joint Complete Set	1
43	10007796	Oil Tube (φ4 x φ6)	1
44	10014235	One-Way Valve Complete Set	1
45	10011460	Oil Pump Driving Tube Complete Set	1
46	10007796	Oil Tube	1
47	10012102	Screw (SM1/4" x 40)	2
48	10012107	Nut (SM1/4" x 40)	1
49	10014245	Looper Complete Set Driving Tube	1
50	10007796	Oil Tube	1
51	10014239	Oil Tube	1
52	10014239	Oil Tube	1
53	10004881	Screen	1
54	10004875	Oil Pump Screen	1
56	10023268	Suction Oil Tube	1

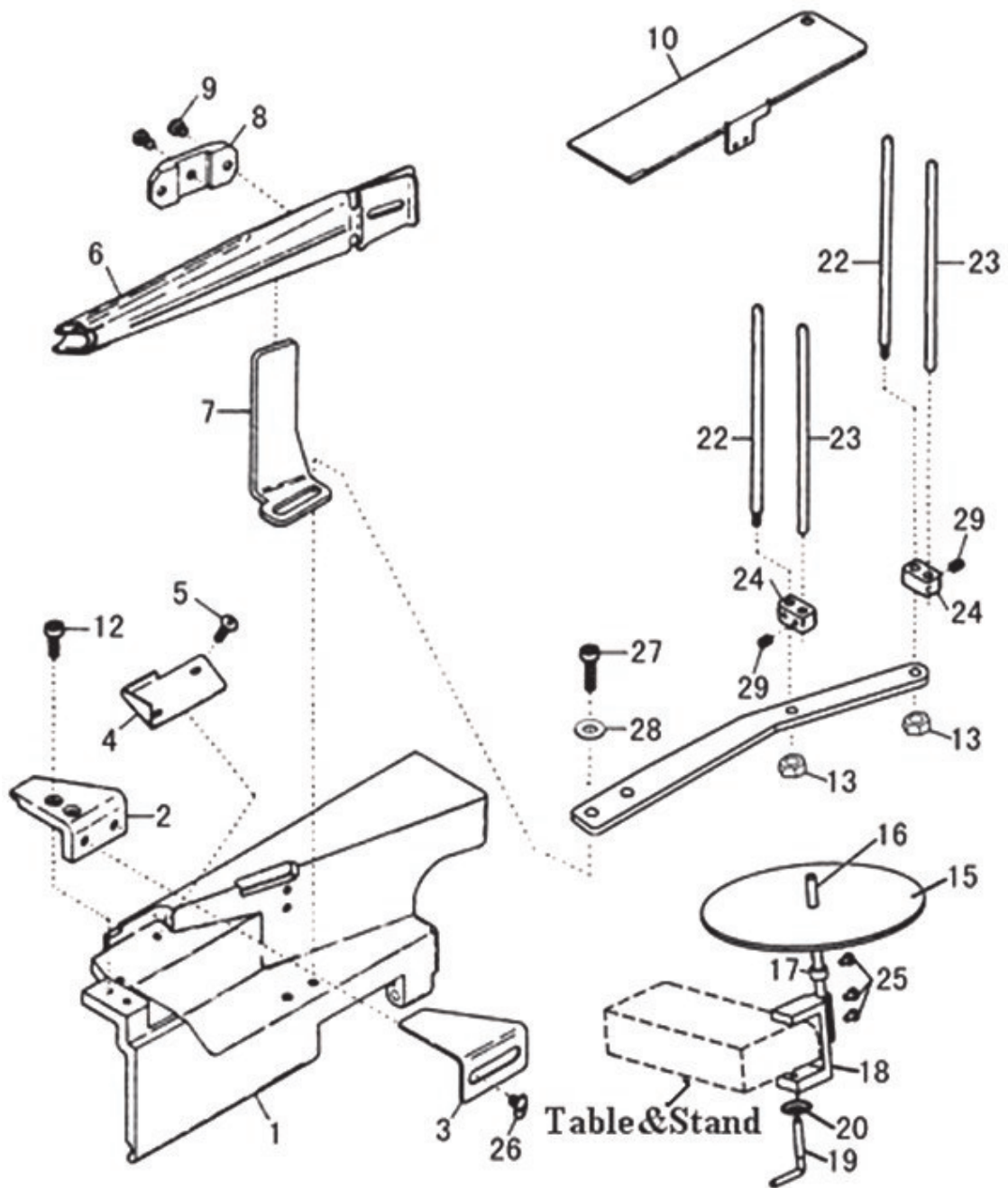
15. Table mechanism



15. Table mechanism

Ref. No.	Part No.	Description	QTY
1	10011312	Hanging Nut	4
2	10011361	Screw (M8 x 50)	4
3	10009273	Washer	4
4	10006282	Washer (GB/T 859-1987-8)	4
5	10009272	Washer (9 x 24 x 3)	16
6	10011315	Oil Reservoir Rubber Cushion	4
7	10011306	Screw (M5 x 7)	4
8	10011359	Rubber Cushion	4
9	10011309	Chain Guide	1
10	10003101	Screw (GB/T 70.1-2000 A-M5 x 8)	2

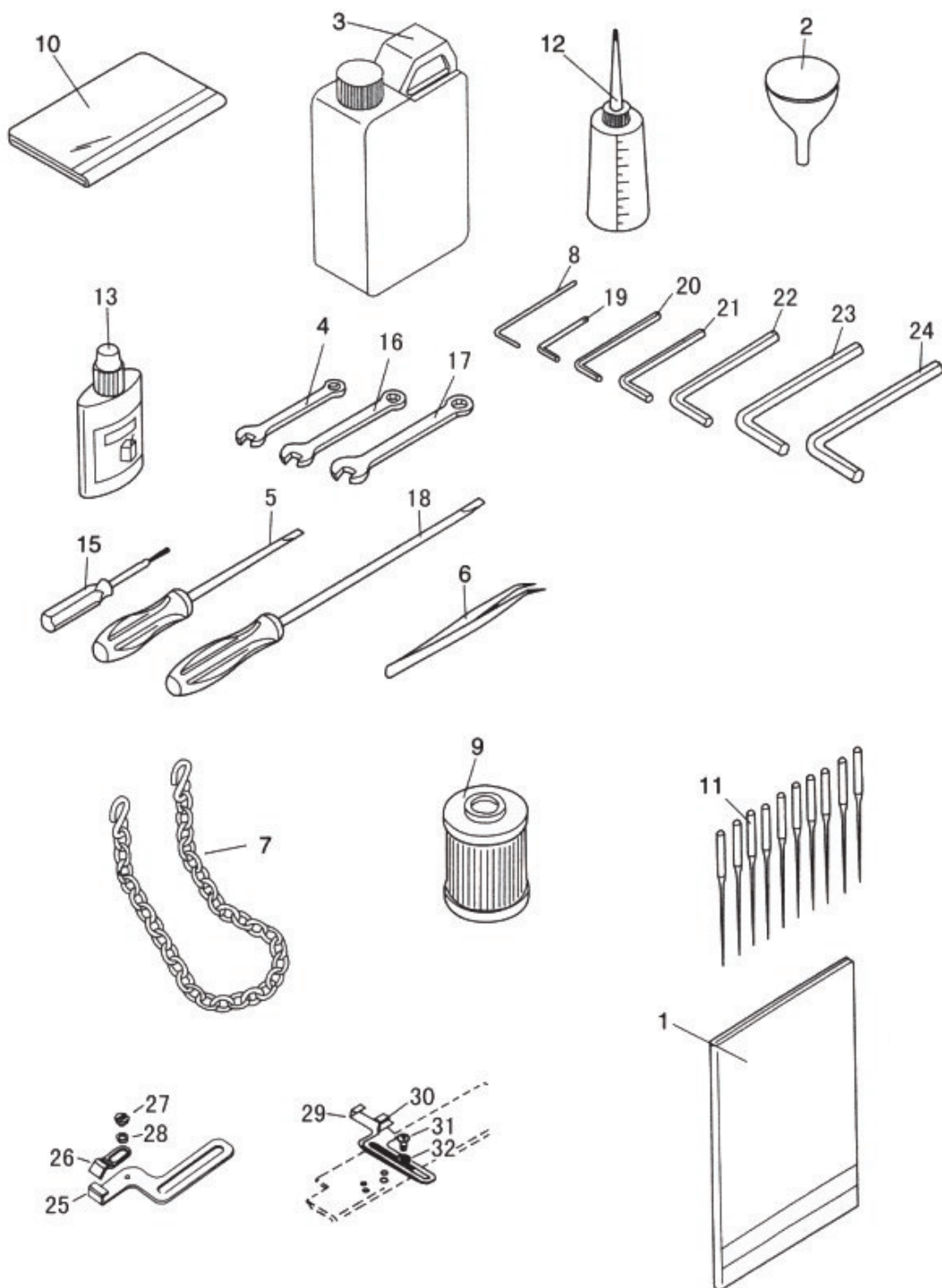
16. Binding - optional parts



16. Binding - optional parts

Ref. No.	Part No.	Description	QTY
1	20003841	Front Cover	1
2	20003840	Front Cover (Small)	1
3	10011550	Fabric Slide Plate	1
4	10011546	Dustproof Cover	1
5	10009074	Screw (M4 x 4)	2
6	10014160	Folder	1
7	10011541	Folder Support	1
8	10011742	Folder Clamp	1
9	10011744	Screw (M6 x 5)	2
10	10011676	Looper Thread Take-up Cover	1
12	10002881	Screw (GB/T 65-2000-M4 x 8)	2
13	10009467	Nut (GB/T 6170-2000 Class A-M5)	2
15	10011909	Knitted Tape Stand	1
16	10011903	Knitted Tape Stand Crankshaft	1
17	10011902	Collar	1
18	20003875	Support	1
19	10011866	Screw (M8)	1
20	10011865	Adjusting Stand	1
22	10011549	Tape Guide (M5 x 11)	2
23	10011544	Tape Guide	2
24	10011483	Tape Guide Adjusting Holder	2
25	10011969	Screw (M6 x 5)	3
26	10011218	Screw (M4)	1
27	10012073	Screw (M5 x 16)	2
28	10005537	Washer (GB/T 93-1987-5)	2
29	10012014	Screw (M5 x 4)	4

17. Attachment box



17. Attachment box

Ref. No.	Part No.	Description	QTY
1	10004248	Explain Book	1
2	10008932	Funnel	1
3	10004882	Jerry can	1
4	10014185	Wrench6	1
5	10014159	Screwdriver110	1
6	10014201	Thread Tweezers	1
7	20000813	Chain Complete Set	1
8	10009684	Hexagonal Wrench (GB/T 5356-1998-1.5)	1
9	10014236	Oil Filter Complete Set	1
10	10011311	Machine Cover	1
11	10004902	Needle (UY128 GAS)	10
12	20001784	Jerry can	1
13	10011155	HP Oiler	1
15	10009270	Hexagonal Wrench	1
16	10014122	Wrench7	1
17	10014186	Wrench8	1
18	10013982	Screwdriver220	1
19	10009683	Hexagonal Wrench (GB/T 5356-1998-2)	1
20	10009686	Hexagonal Wrench (GB/T 5356-1998-2.5)	1
21	10009685	Hexagonal Wrench (GB/T 5356-1998-3)	1
22	10009687	Hexagonal Wrench (GB/T 5356-1998-4)	1
23	10009689	Hexagonal Wrench (GB/T 5356-1998-5)	1
24	10009688	Hexagonal Wrench (GB/T 5356-1998-6)	1
25	10011548	Fabric Guide (Left)	1
26	10011542	Fabric Guide (Right)	1
27	10011545	Screw (M3 x 3.3)	1
28	10002998	Washer (3)	1
29	10011547	Plate (Left)	1
30	10011486	Plate (Right)	1
31	10011260	Screw (M5 x 12)	2
32	10011249	Washer (5.6 x 11.8 x 0.8)	2



Dealer:

--