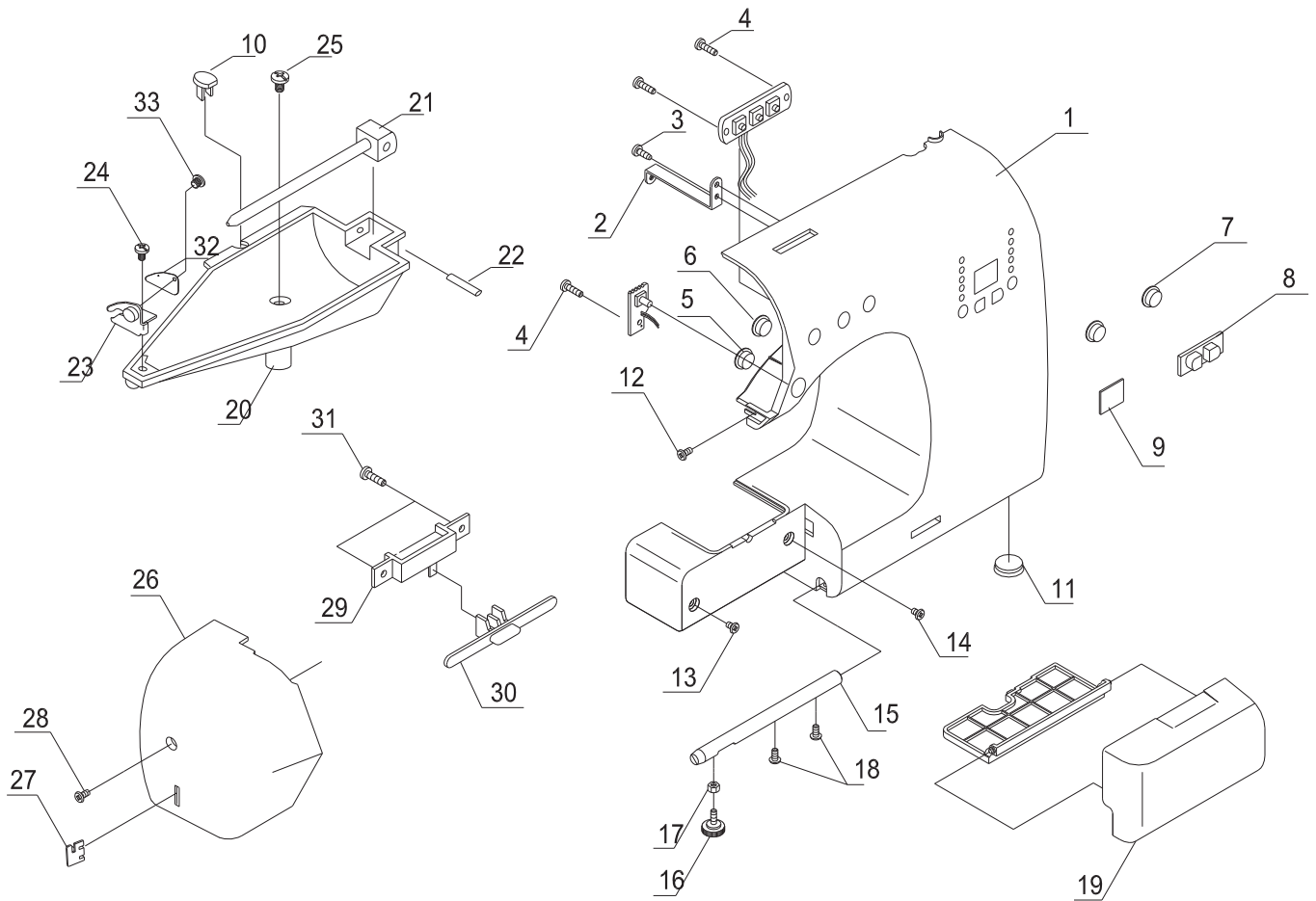
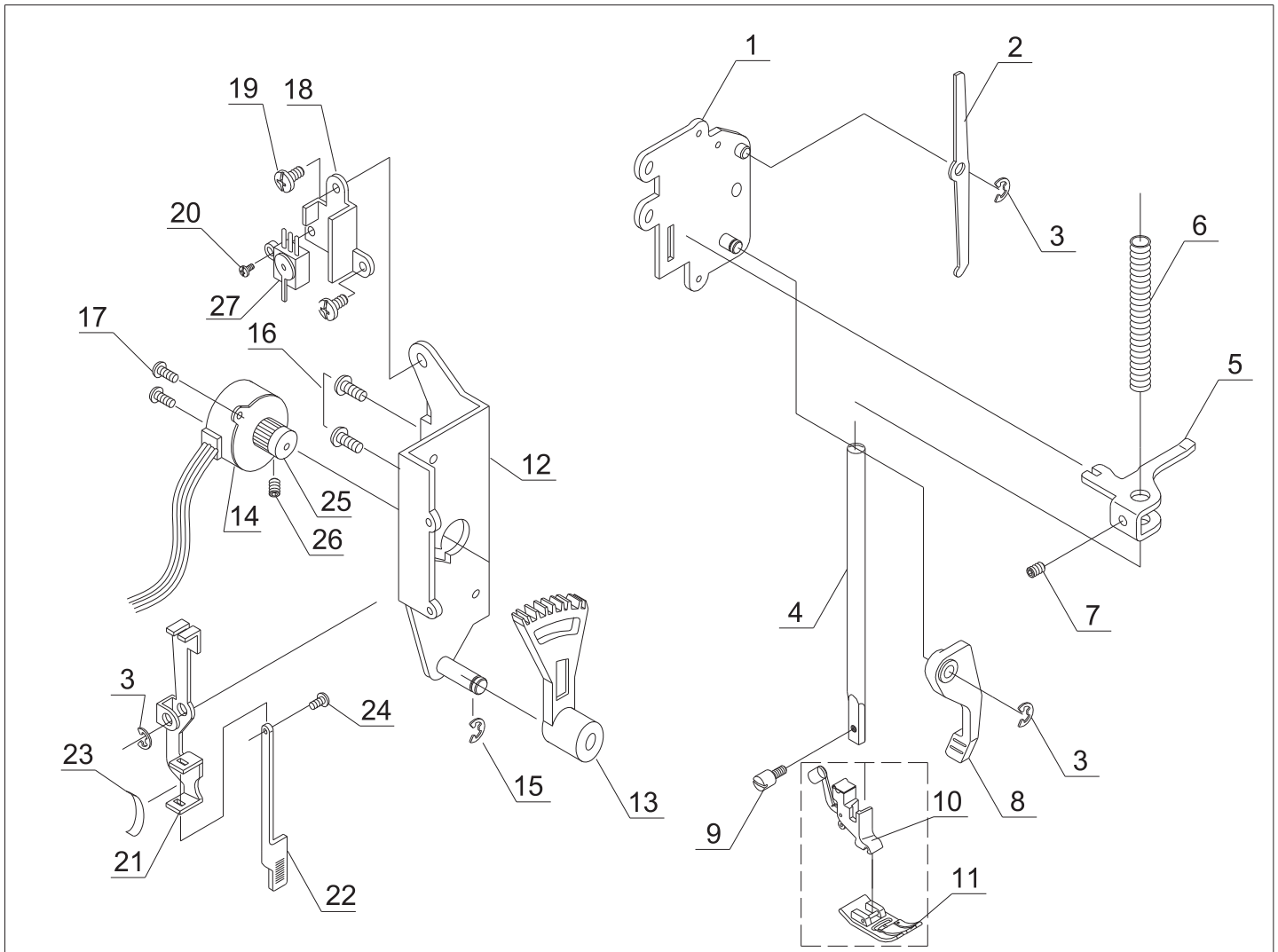


Key	Parts No	Name of Parts	Key	Parts No	Name of Parts
1	296202	Arm	25	296300	Bobbin Winder Shaft
2	296015001	Handle	26	266033008	Bobbin Winder Shaft Ring
3	298013	Handle Bracket(R)	27	266032007	Bobbin Winder Felly
4	298011	Handle Bracket(L)	28	168055	Clutch Rod
5	000081407	+ -Binding Head Screw 4x8	29	168056	Clutch Rod Spring
6	296122	Reverse Switch Cover	30	C168-012	Sensor Control Plate
7	266009009	+ -Binding Head Screw 3x6	31	296109001	Bobbin Winder Crank Base
8	296122	Switch Plate	32	128126	Sensor Control Plate Base
9	000080206	+ -Pan Head Screw 2x8	33	266009009	+ -Binding Head Screw 3x6
10	296000	Back Cover	34	YSD SK02W-01	Bobbin Winding Sensor
11	296112	Front Cover Bracket	35	YSD SK02W-02	Feed Sensor Circuit Board
12	321143000	Bobbin Winder Stopper	36	298009	Units within the Department case
13	000085501	+ -Binding Head Screw 4x18			
14	986010	Bobbin Winder Regulate Lead Shaft			
15	000010003	Rapid Nut M4x0.7			
16	000081706	+ -Binding Head Screw 4x14			
17	000080202	+ -Binding Head Screw 4x12			
18	000009906	+ -Binding Head T Screw 3x14			
19	266020006	Rubber Cushion			
20	266005005	Rapid Nut			
21	000081407	+ -Binding Head Screw 4x8			
22	296108	Bobbin Winder Crank			
23	000001207	Snap Ring E-4			
24	360046003	Bobbin Winder Crank Spring			

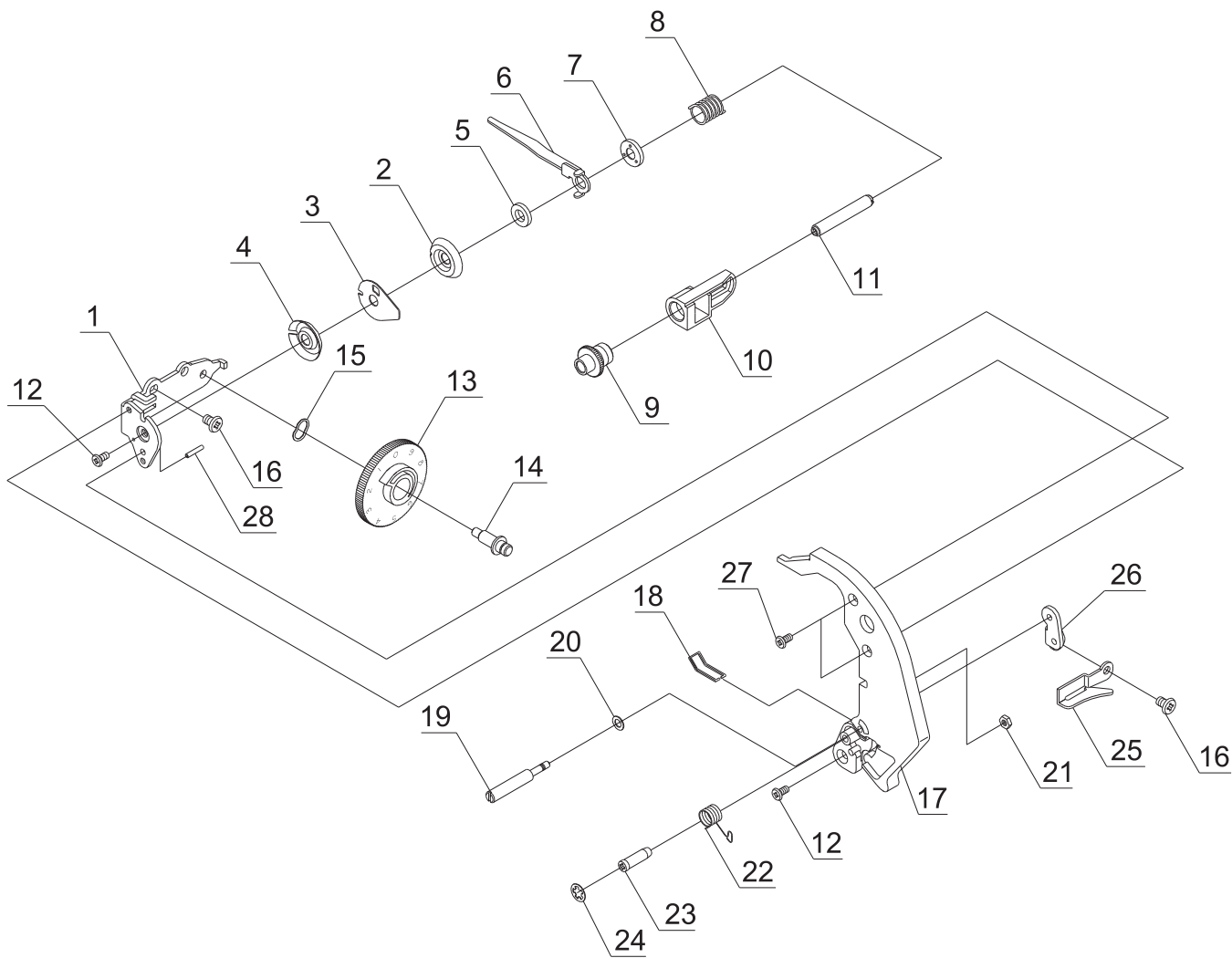


Key	Parts No	Name of Parts	Key	Parts No	Name of Parts
1	296001	Front Cover	27	790055	Cutter
2	296115	Front Cover Bracket	28	000081706	+ -Binding Head Screw 4x14
3	000087300	+ -Pan Head T Screw 3x12	29	269007	Speed Controller Box
4	000087909	T Screw 3x6	30	269006001	Speed Controller
5	262012054	Reverse Button	31	000087012	T Screw 3x8
6	Y-168038023	Needle Up/Down Button	32	296125	Conductor plate shrapnel
7	Y-168038023	Button	33	730174	Screw
8	790031002	Pattern Selector Dial			
9	296018	Pattern Show Window			
10	296017	Hole Cap			
11	266020006	Rubber Cushion			
12	000084709	+ -Binding Head Screw 3x6			
13	000081418	+ -Binding Head Screw 4x8			
14	000080201	Flat Head Set Screw 4x8			
15	296126	Detachable Foot			
16	843024	Regulate Screw			
17	000010003	Rapid Nut M4x0.7			
18	000081407	+ -Binding Head Screw 4x8			
19	296501	Accessory Box			
20	296008	Top Cover			
21	986008037	Spool Pin			
22	986009	Pin			
23	296124	Threading Guide			
24	1314	T Screw 3x8			
25	000081706	+ -Binding Head Screw 4x14			
26	296002	Face Plats			

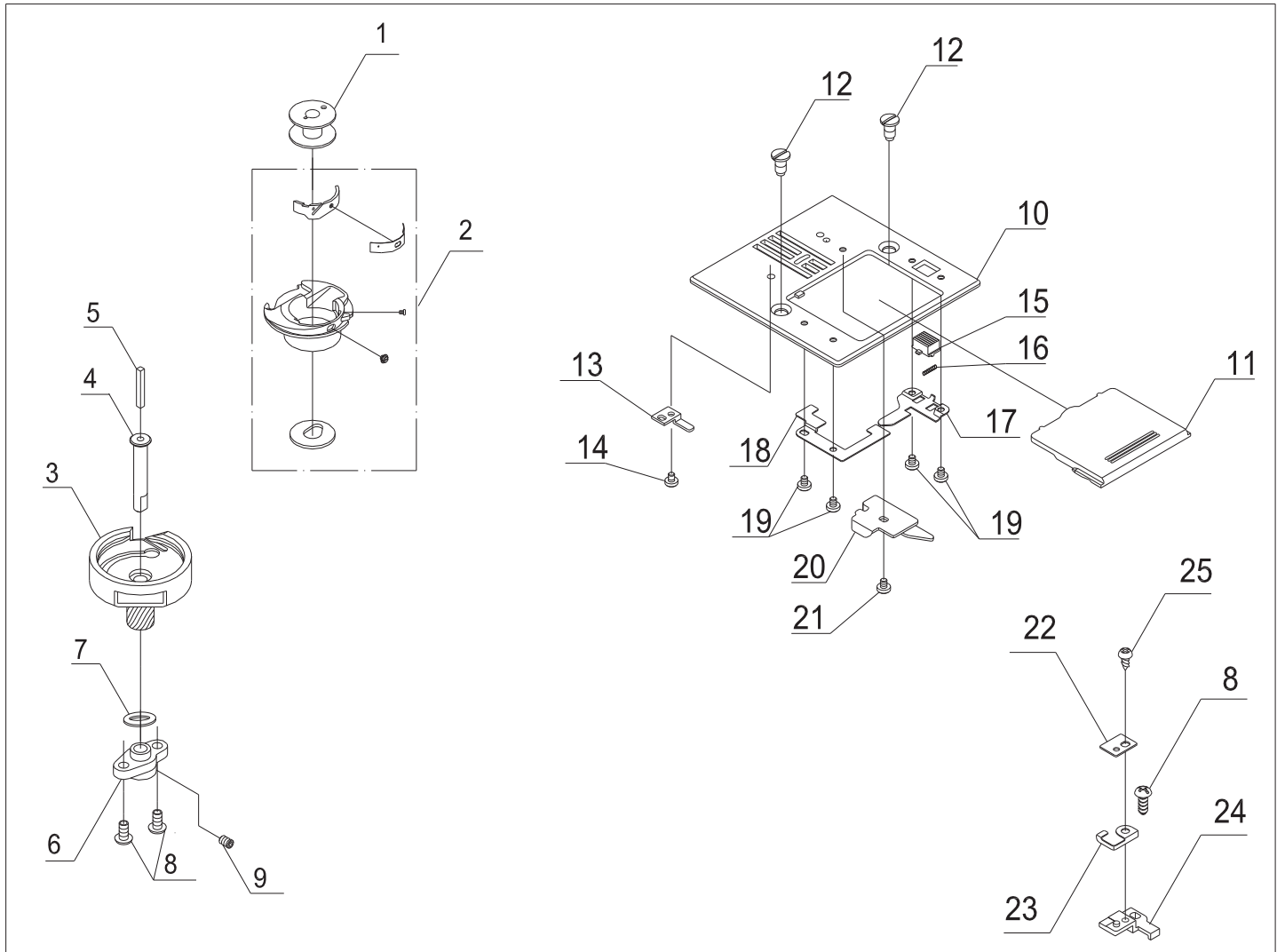


Key	Parts No	Name of Parts	Key	Parts No	Name of Parts
1	296102	Presser Bar Lifter Base	27	YSD 5K02W-03	BH Sensor
2	730109	Release Lever			
3	000001207	Snap Ring E-4			
4	168119	Presser Bar			
5	868078	Presser Bar Guide Bracket			
6	C168-024	Presser Bar Spring			
7	000079402	Hexagon Socket Screw 4x8			
8	218021017	Presser Bar Lifter			
9	270024003	Presser Foot Thumb Screw			
10	168505	Foot Holder			
11		Z/Z Foot			
12	C168-001-1	Zigzag Motor Plate			
13	C168-002	Zigzag Gear			
14	128131	STEP MotorX			
15	000001104	Snap Ring E-3			
16	000081407	+-Binding Head Screw 4x8			
17	000082305	+-Binding Head Screw 3x5			
18	128024	BH Switch Case			
19	000082305	+-Pan Head Screw 3x5			
20	000087909	T Screw 3x6			
21	C168-004	BH Connecting Crank			
22	296020	BH Connecting Rod			
23	868047	BH Regulate Shrapnel			
24	730125	+-Pan Head Screw 2x3			
25	128081	Motor Gear (Zigzag)			
26	000079000	Hexagon Socket Screw 3x4			



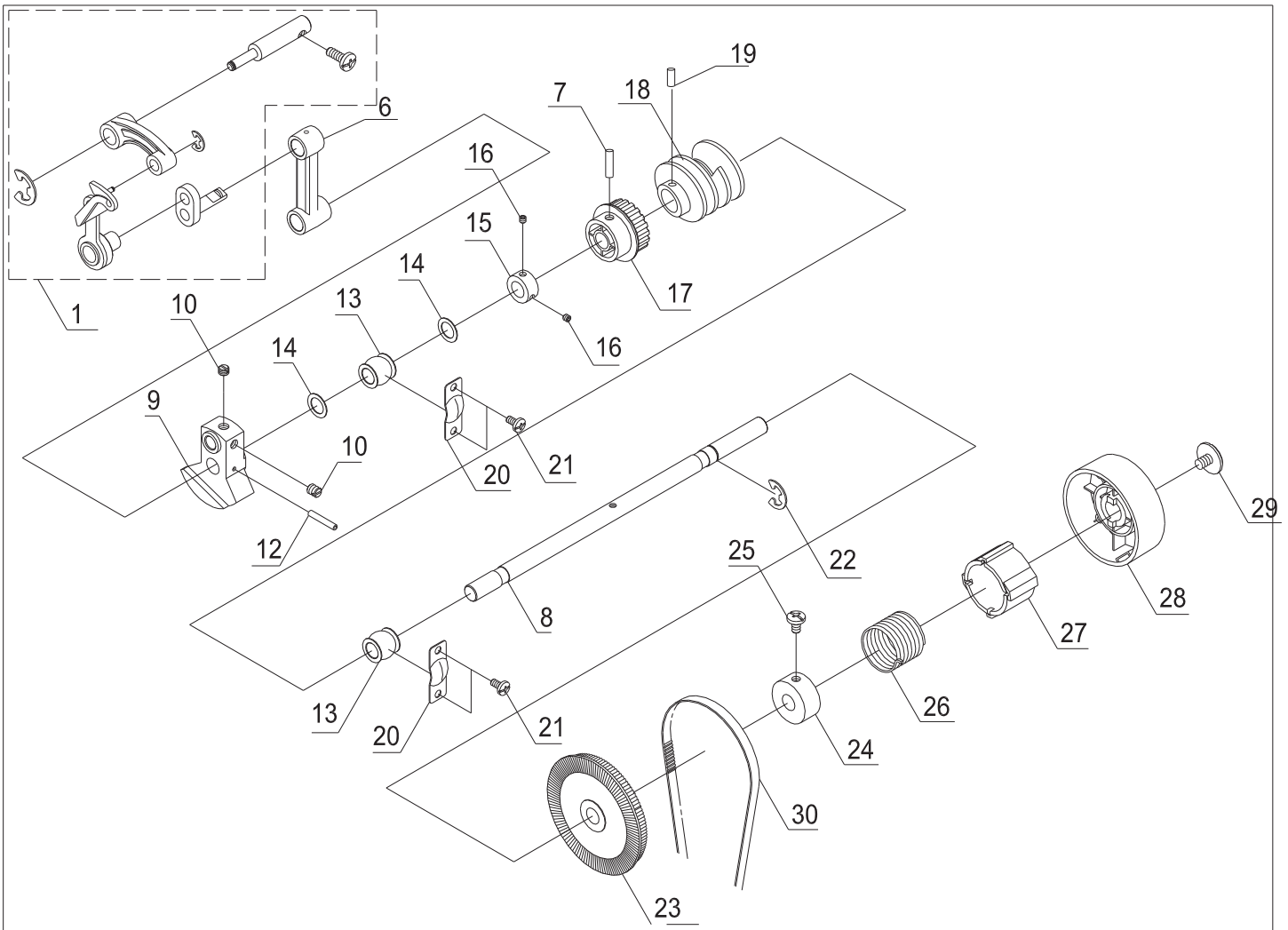


Key	Parts No	Name of Parts	Key	Parts No	Name of Parts
1	296111	Thread Tension Regulate Plate	18	168066	Threading Guide Spring
2	868060	Thread Tension Regulate Flat (Right)	19	296132	Threading Guide Shaft
3	868059	Middle Plate	20	000012200	Plain Washer 4x7x0.4
4	868060	Thread Tension Regulate Flat (Left)	21	000071002	Hexagon Nut 3-3-5.5
5	868138	Plain Washer 5.6x15x1	22	730105	Thread Take-up Spring
6	296113	Thread Tension Connecting Plate	23	262026000	Spring Set Shaft
7	868113	Spring Set Position Plate	24	000002404	Snap Ring CS-4.5
8	868115	Thread Tension Regulate Spring	25	730020	Threading Guide Shrapnel (B)
9	868118	Elastic Regulator	26	C168-045	Front Cover Set Plate
10	730023	Thread Tension Regulate Plate	27	000084709	+Pan Head Screw 3x6
11	868116	Thread Tension Regulator Base Shaft	28	000007008	Spring Pin 1.6x10
12	000082408	+Binding Head Screw 3x6			
13	868114055	Thread Tension Regulate Dial			
14	730197	Thread Tension Regulate Shaft			
15	868234	Corrugated Washer 9m/m			
16	000081304	+Binding Head Screw 4x6			
17	296003	Threading Guide			

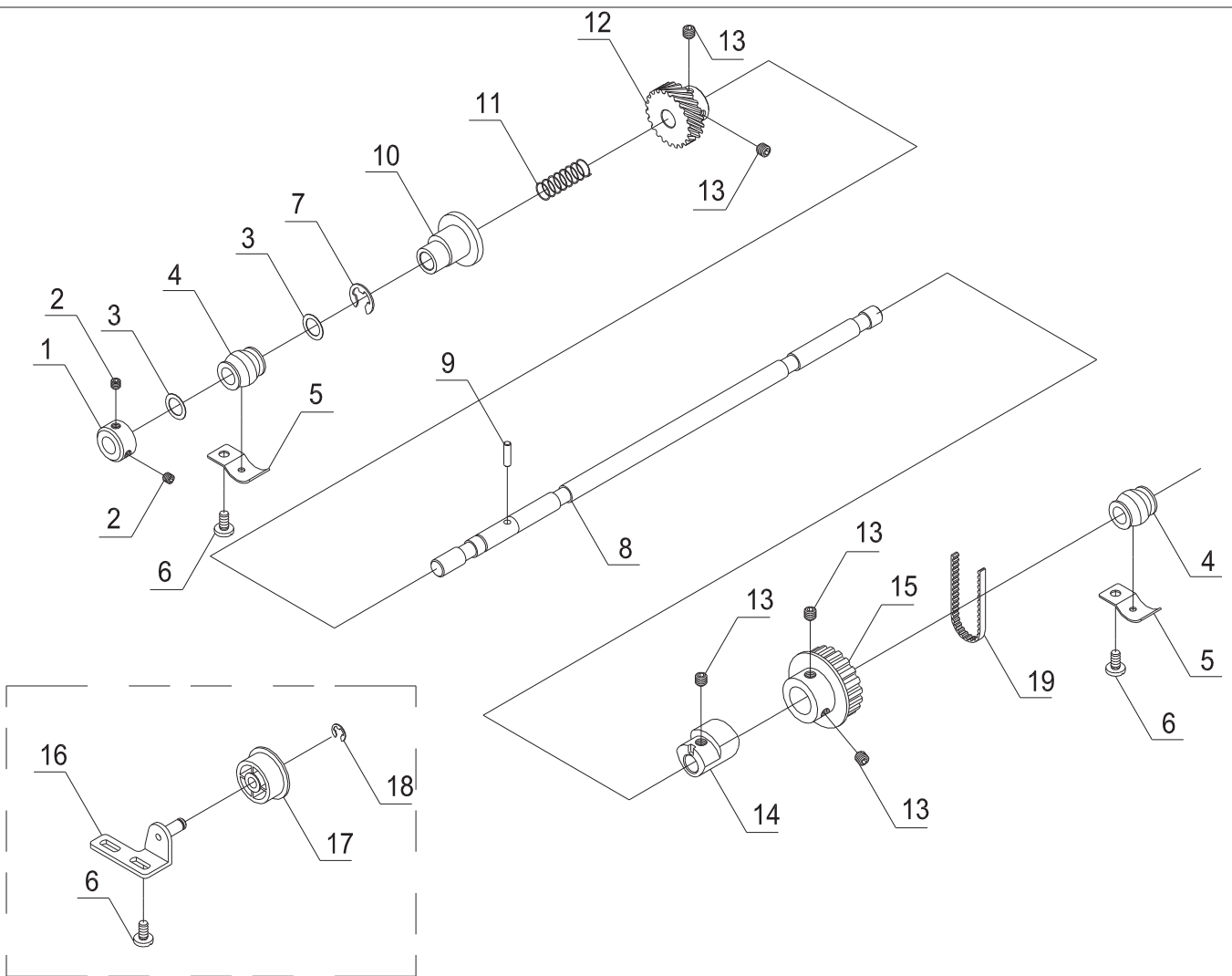


Key	Parts No	Name of Parts	Key	Parts No	Name of Parts
1	218023	Bobbin	23	730152	Bobbin Case Stop Shrapnel
2	128130	Bobbin Case Complete	24	296105	Stop Shrapnel Base
3	128129	Hook Race	25	000084318	T Screw 2.6x4
4	730143	Hook Race Shaft			
5	730168	Oil Core			
6	730141	Hook Race Set Body			
7	000013017	Thrust Washer Screw 6.2x9.5x0.13			
8	000084400	+Pan Head Screw 4x8			
9	000079206	Hexagon Socket Screw 4x6			
10	296101	Needle Plate			
11	760003	Slide Plate			
12	266017000	Flat Head Set Screw			
13	296103	Bobbin Case Thread Stopper			
14	730174	Set Screw (Bobbin Case Stop Plate)			
15	760004	Switch			
16	760005	Slide Plate Spring			
17	760001	Slide Plate Shrapnel(R)			
18	760002	Slide Plate Shrapnel(L)			
19	730175	Set Screw (Slide Shrapnel)			
20	730151	Bobbin Case Stop Plate			
21	730174	Set Screw (Bobbin Case Stop Plate)			
22	168108	Stop Shrapnel Holder			



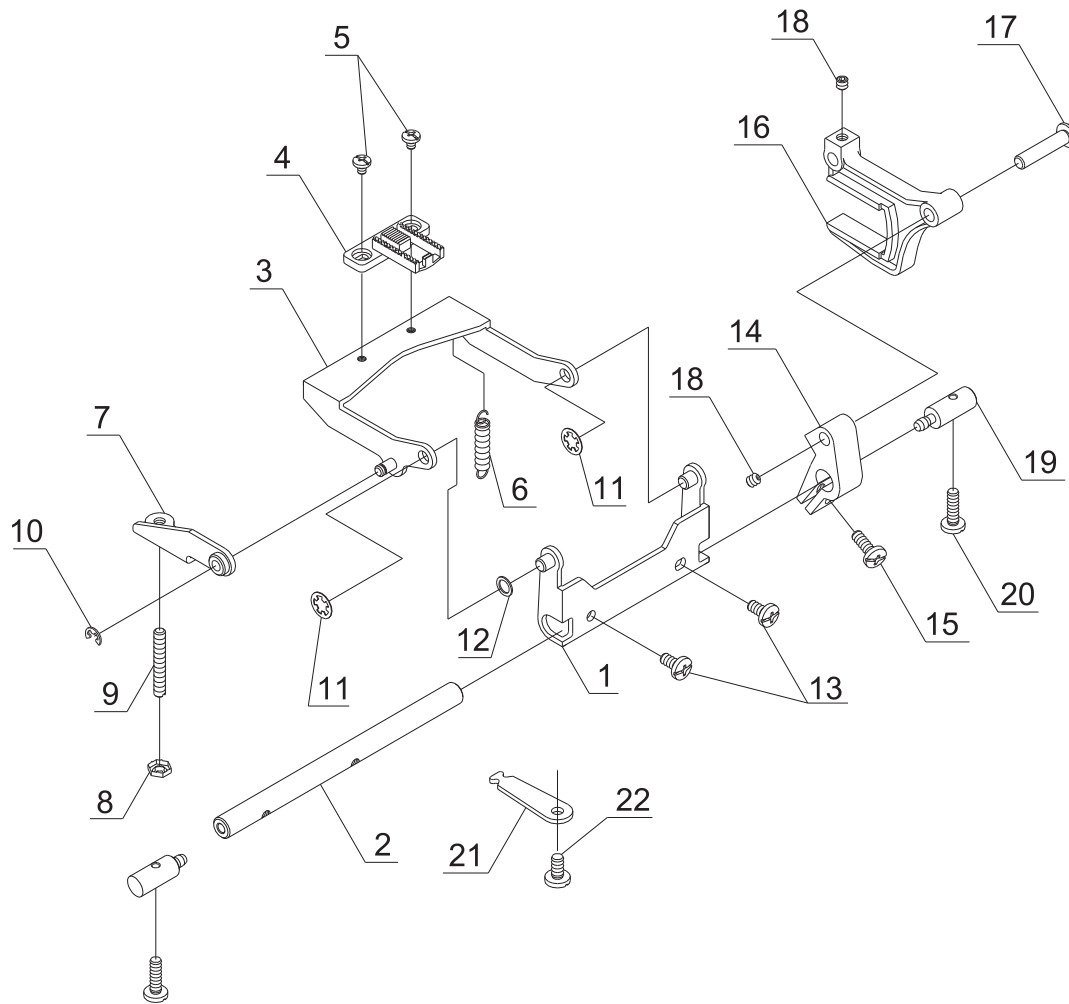


Key	Parts No	Name of Parts	Key	Parts No	Name of Parts
1	296502	Thread Take-up Complete	26	868031	Clutch Spring
			27	128144	Clutch
			28	296007	Hand Wheel
			29	868024	Stop Motion Large Screw
			30	000093011	Motor Belt (460-2GT)
6	620049001	Needle stick rod			
7	000006419	Spring Pin 3x25			
8	168008	Upper Shaft			
9	N620047	Thread Take-up Crank			
10	000079309	Hexagonal Screw 5x5			
12	000006408	Spring Pin 3x20			
13	268007209	Upper Shaft Bushing			
14	000013305	Thrust Washer 10.2x15x0.5			
15	620060008	Upper Shaft Ring			
16	000079608	Hexagon Socket Screw 11/64x4			
17	168010	Timing Gear A			
18	C168-016	Sensor Control Plate			
19	000006914	Spring Pin 2x12			
20	268005220	Bushing Plate			
21	000081407	+ -Binding Head Screw 4x8			
22	000001609	Snap Ring E-9			
23	168011	Timing Pulley			
24	168012	Clutch Bushing			
25	000079309	Hexagonal Socket Screw 5x5			

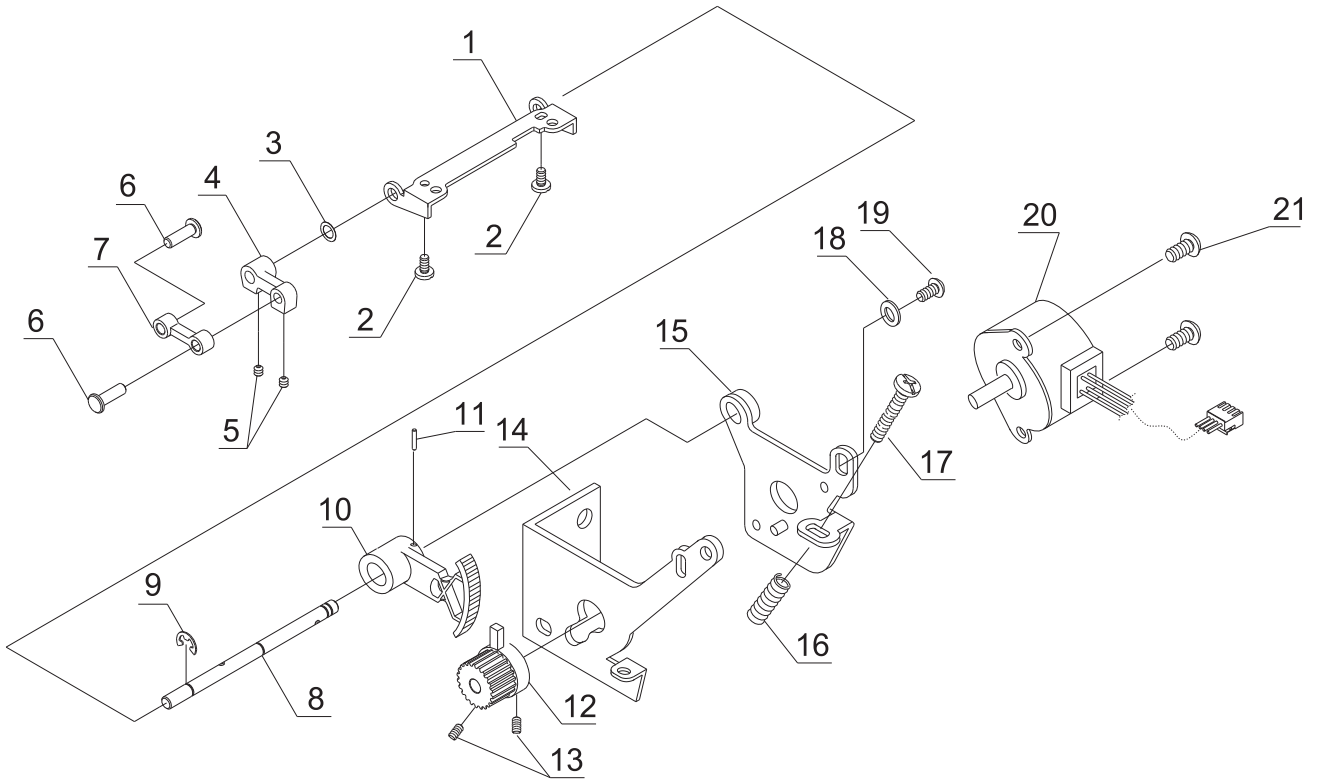


Key	Parts No	Name of Parts	Key	Parts No	Name of Parts
1	730122	Lower Shaft Ring			
2	000079103	Hexagon Socket Screw 4x4			
3	000013430	Thrust Washer 8.2x12x0.25			
4	730123	Lower Shaft Bushing			
5	730124	Lower Shaft Bushing Plate			
6	000081407	+Binding Head Screw 4x8			
7	000001403	Snap Ring E-6			
8	168062001	Lower Shaft			
9	730116	Feed Lifting Cam Pin			
10	730113	Feed Lifting Cam			
11	730115	Feed Lifting Connecting Spring			
12	730121	Lower Shaft Gear			
13	000079309	Hexagon Socket Screw 5x5			
14	C168-042	Feed Rock Cam			
15	C168-043	Timing Gear B			
16	168063	Belt Regulate Wheel Plate			
17	730083	Belt Tension Regulate Wheel			
18	000001207	Snap Ring E-4			
19	000093022	Timing Belt 172XL			



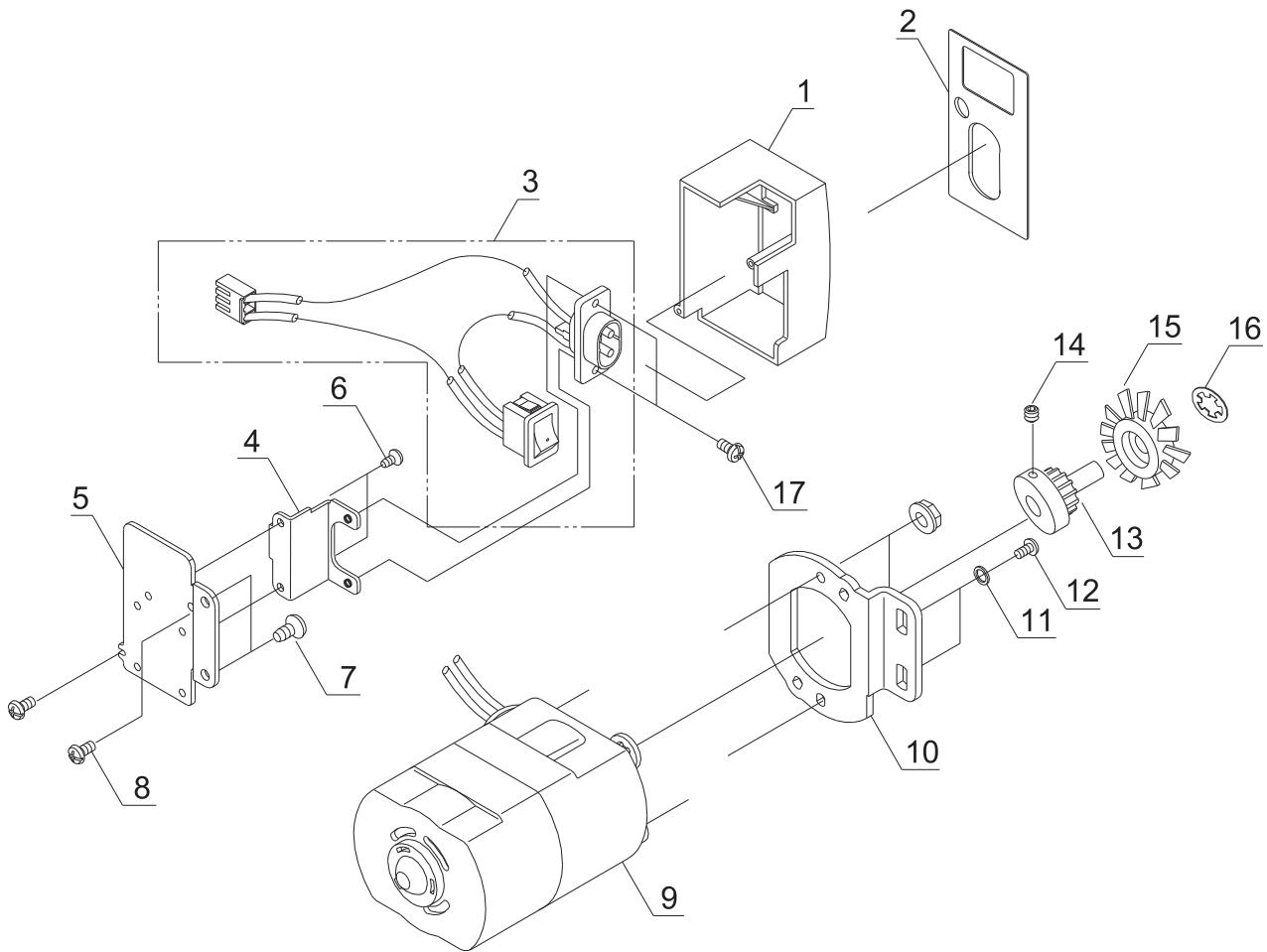


Key	Parts No	Name of Parts	Key	Parts No	Name of Parts
1	730138	Feed Dog Base Crank			
2	730130	Feed Rock Shaft			
3	168105	Feed Dog Base			
4	168100	Feed Dog			
5	000083007	+Binding Head Screw 3x5			
6	730139	Feed Dog Base Spring			
7	730117	Feed Lifting Crank			
8	000010003	Rapid Nut M4x0.7			
9	730171	Screw			
10	000001104	Snap Ring E-3			
11	000082404	Snap Ring CS-4.5			
12	281040009	Plain Washer 5.1x7.3x0.5			
13	000081407	+Binding Head Screw 4x8			
14	730129	Feed Rock Crank			
15	000081603	Set Screw 4x12			
16	730107	Feed Driving Rod			
17	730108	Feed Driving Rod Shaft			
18	000079103	Hexagon Socket Screw 4x4			
19	730133	Feed Rock Shaft Index Pin			
20	000081706	+Binding Head Screw 4x14			
21	296104	Feed Lifting Spring Bracket			
22	000081304	Flat Head Screw 4x6			

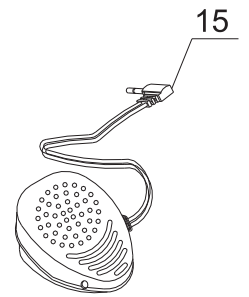
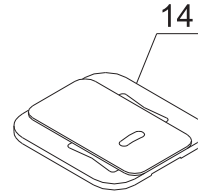
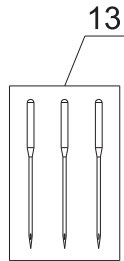
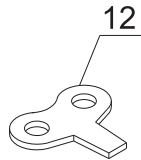
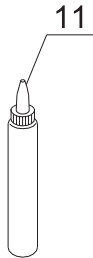
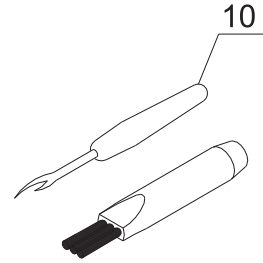
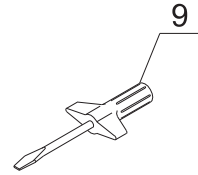
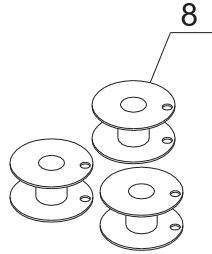
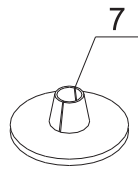
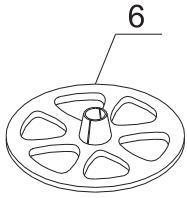
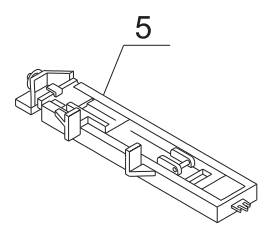
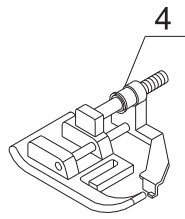
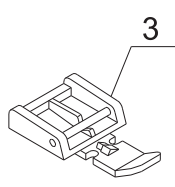
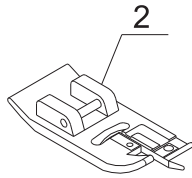
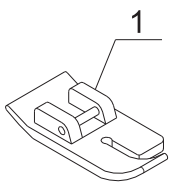


Key	Parts No	Name of Parts	Key	Parts No	Name of Parts
1	168057	Feed Regulate Shaft Base			
2	000081407	+ -Binding Head Screw 4x8			
3	000013017	Plain Washer 6.2x9.5x0.13			
4	730048	Feed Regulate Crank			
5	000079103	Hexagon Socket Screw 4x4			
6	730052	Feed Regulate Set Pin			
7	730049	Feed Regulate Rod			
8	C168-033	Feed Rock Shaft			
9	000001300	Snap Ring E-5			
10	128078	Feed Regulate Gear			
11	000006914	Spring Pin 2x12			
12	C168-003	Motor Gear (Regulate)			
13	000079000	Hexagon Socket Screw 3x4			
14	C168-008	Feed Motor Plate			
15	C168-009	Feed Motor Plate Base			
16	669077	O Point Slight Regulate Screw			
17	000015008	Slight Regulate Screw			
18	000012005	Washer 8x4x0.8			
19	000074005	+ -Binding Head Screw 4x6			
20	128082	Step Motor			
21	000082305	+ -Binding Head Screw 3x5			





Key	Parts No	Name of Parts	Key	Parts No	Name of Parts
1	416083001	Switch Box			
2	218015	Switch Show Plate			
3	E-SCM168-CE	Power Switch			
4	218019	Power Switch Plate			
5	296114	Terminal Bracket			
6	000083007	+Pan Head Screw 3x5			
7	000081407	+Binding Head Screw 4x8			
8	000015109	+Binding Head Screw 3x8			
9	FW2-13YM343-7	Motor			
10	168064	Motor Plate			
11	000088002	Snap Washer M5			
12	000083409	+Pan Head Screw 5x10			
13	128114	Motor Driving Gear			
14	000079103	Hexagon Socket Screw 4x4			
15	128117	Motor Fan			
16	000002301	Snap Ring CS-4			
17	000084503	Pan Head Screw 3.5x8			



Key	Parts No	Name of Parts	Key	Parts No	Name of Parts
1	A-CY-7304	Straight Stitch Foot			
2	A-CY-7310	Overcasting Foot			
3	A-CY-7306	Zipper Foot			
4	A-CY-7308	Blind Hem Foot			
5	A-128128	BH Foot			
6	A-986013046	Spool Pin Cap (Large)			
7	A-986014049	Spool Pin Cap (Small)			
8	A-218023	Bobbin			
9	A-321404	Screwdriver (Small)			
10	A-321406015	Buttonhole Opener And Brush			
11	A-321405025	Oil			
12	A-Y-168023	Needle Plate Screwdriver			
13	A-000201210	Needle Set			
14	A-168213	Darning Plate			
15	N-180034	Foot Control			

# YSD168C-7

