

# 上下复合送料厚料机 零件手册

ZJ0302

COMPOUND FEED HEAVY SEWING MACHINE SERIES PARTS BOOK



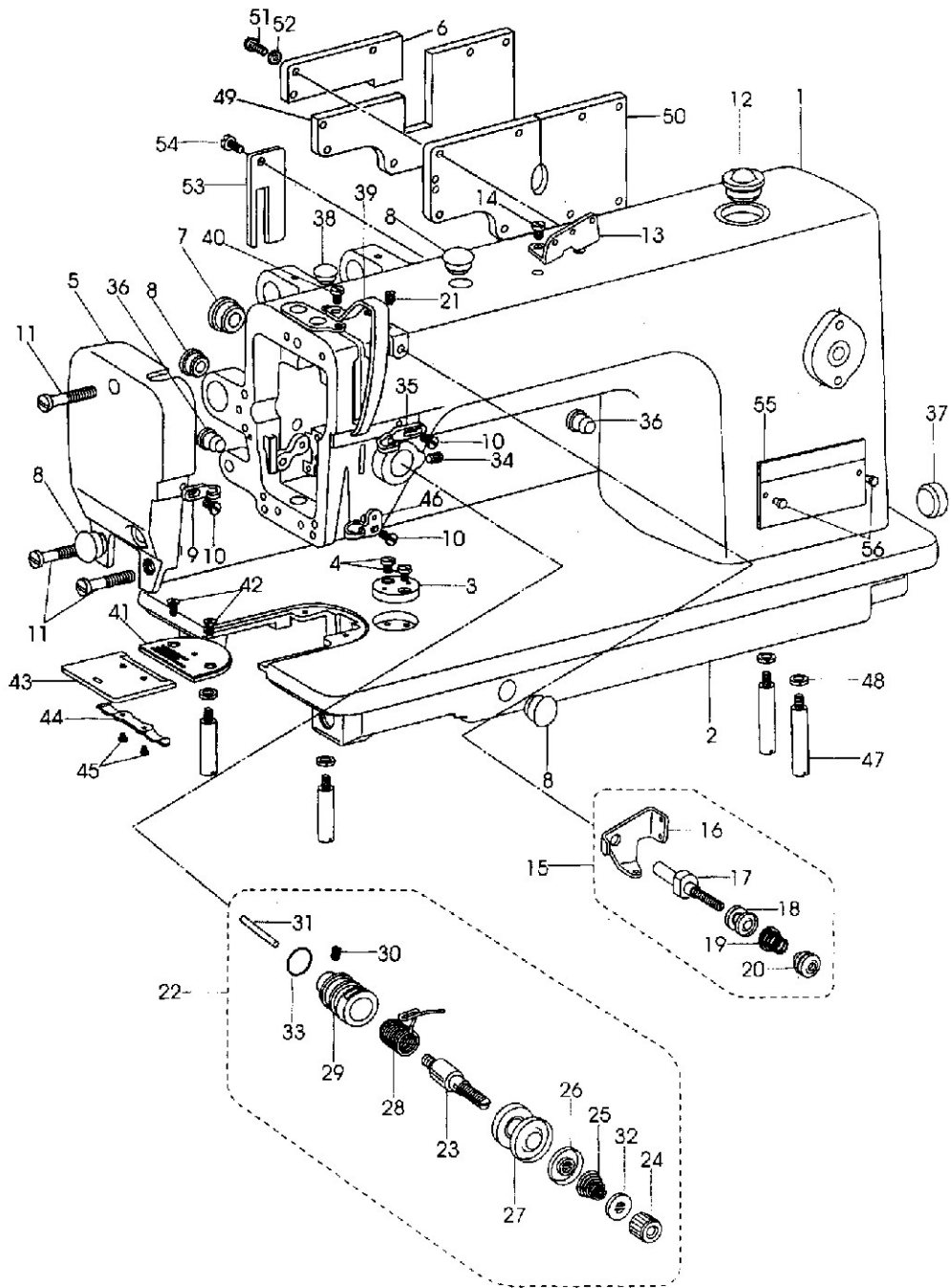
# 零件样本

## PARTS BOOK

( 本样本中图样、图号、名称仅供参考，如有变动，以产品实物为准 )

1.机壳部件 Machine Arm and Bed.....	16-17
2.上轴、竖轴、挑线部件 Arm shaft and Vertical Thread Take-up.....	18-19
3.抬牙送布勾线部件 Feed Dog Lift Feed And Thread Looping.....	20-21
4.送布调节机构 Feed Mechanism.....	22-23
5.压脚部件 Presser Foot Parts .....	24-25
6.上送料部件 Upper Feed Parts.....	26-27
7、油泵部件 Oil Pump .....	28
8、附件Oil Reservoir And Accessories .....	29-30

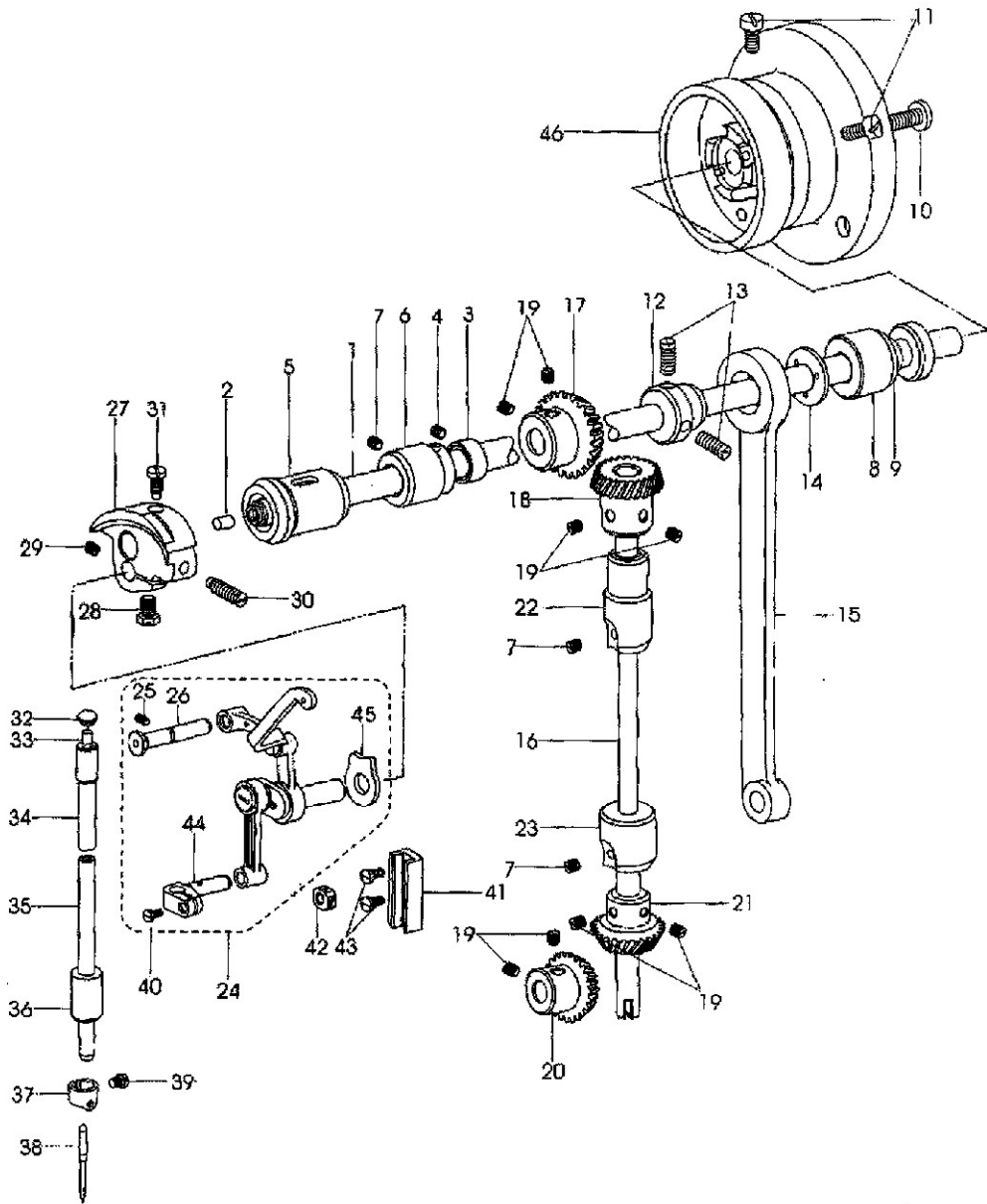
1



# 1.机壳部件 Machine Arm and Bed

序号 No.	图号 Part No.	零件名称 Name of parts	数量 Qt.	329 329	329B 329B	329C 329C	329CX 329CX	923-1 923-1	339 339
1	10.1-1	机壳Arm	1	*	*	*	*	*	*
	10.1-2	机壳Arm	1						*
2	10.1-3	底板Bed	1	*	*	*	*	*	*
3	10.1-4	夹具座Holder	1	*	*	*	*	*	*
4	10.1-5	夹具座螺钉Screw	2	*	*	*	*	*	*
5	10.1-6	面板Face plate	1	*	*	*	*	*	*
6	10.1-7	后盖板(小) Rear cover ( small )	1	*	*	*	*	*	*
7	10.1-8	面板橡皮塞(Φ11.8) Rubber plug	4	*	*	*	*	*	*
8	10.1-9	面板橡皮塞(Φ19) Rubber plug	3	*	*	*	*	*	*
9	10.1-10	面板线勾Thread finger	1	*	*	*	*	*	*
10	10.1-11	线勾螺钉Screw	3	*	*	*	*	*	*
11	10.1-12	面板螺钉Screw	3	*	*	*	*	*	*
12	10.1-13	油窗组件Oil screen complete	1	*	*	*	*	*	*
13	10.1-14	三线线勾Three-eye finger	1	*	*	*	*	*	*
14	10.1-15	三线线勾螺钉Screw	1	*	*	*	*	*	*
15	10.1-16	小夹线组件Thread tension complete	1	*	*	*	*	*	*
16	10.1-17	小夹线过线板Thread pass-by plate	1	*	*	*	*	*	*
17	10.1-18	小夹线螺钉Screw	1	*	*	*	*	*	*
18	10.1-19	小夹线板Tension disc	2	*	*	*	*	*	*
19	10.1-20	小夹线弹簧Spring	1	*	*	*	*	*	*
20	10.1-21	小夹线螺母Nut	1	*	*	*	*	*	*
21	10.1-22	小夹线固定螺钉Set screw	1	*	*	*	*	*	*
22	10.1-23	夹线组件Thread tension complete	1	*	*	*	*	*	*
	10.1-24	夹线组件Thread tension complete	1	*	*	*	*	*	*
23	10.1-25	夹线螺钉Screw	1	*	*	*	*	*	*
24	10.1-26	夹线螺母Nut	1	*	*	*	*	*	*
25	10.1-27	夹线弹簧Spring	1	*	*	*	*	*	*
	10.1-28	夹线弹簧Spring	1	*	*	*	*	*	*
26	10.1-29	松线板Thread tension complete	1	*	*	*	*	*	*
27	10.1-30	夹线板Thread tension	2	*	*	*	*	*	*
28	10.1-31	挑线簧Thread take-up spring	1	*	*	*	*	*	*
	10.1-32	挑线簧Thread take-up spring	1	*	*	*	*	*	*
29	10.1-33	夹线调节座Thread tension adjusting bracket	1	*	*	*	*	*	*
30	10.1-34	夹线调节座螺钉Screw	1	*	*	*	*	*	*
31	10.1-35	松线钉Thread releasing pin	1	*	*	*	*	*	*
32	10.1-36	夹线螺母止动板Stopping plate	1	*	*	*	*	*	*
33	10.1-37	O型圈O-type ring	1	*	*	*	*	*	*
34	10.1-38	夹线调节座固定螺钉Set screw	1	*	*	*	*	*	*
35	10.1-39	线勾 Thread finger	1	*	*	*	*	*	*
36	10.1-40	橡皮塞(Φ8.8) Rubber plug	2	*	*	*	*	*	*
37	10.1-41	橡皮塞(Φ27) Rubber plug	1	*	*	*	*	*	*
38	10.1-42	橡皮塞(Φ5.7) Rubber plug	1	*	*	*	*	*	*
39	10.1-43	挑线杆护罩Thread take-up lever guard	1	*	*	*	*	*	*
40	10.1-44	挑线杆护罩螺钉Screw	1	*	*	*	*	*	*
41	10.1-45	针板Throat plate	1	*	*	*	*	*	*
	10.1-46	针板Throat plate	1	*	*	*	*	*	*
	10.1-47	针板Throat plate	1	*	*	*	*	*	*
	10.1-48	针板Throat plate	1	*	*	*	*	*	*
42	10.1-49	针板螺钉Screw	2	*	*	*	*	*	*
43	10.1-50	推板Sliding plate	1	*	*	*	*	*	*
44	10.1-51	推板簧Spring	1	*	*	*	*	*	*
45	10.1-52	推板螺钉Screw	2	*	*	*	*	*	*
46	10.1-53	下线钩Lower thread finger	1	*	*	*	*	*	*
47	10.1-54	底板撑杆Bed leg	4	*	*	*	*	*	*
48	10.1-55	弹簧垫圈Washer	4	*	*	*	*	*	*
49	10.1-56	后盖板 Rear cover	1	*	*	*	*	*	*
	10.1-57	后盖板 Rear cover	1	*	*	*	*	*	*
50	10.1-58	后盖板密封垫片Seal gasket	1	*	*	*	*	*	*
	10.1-59	后盖板密封垫片Seal gasket	1	*	*	*	*	*	*
51	10.1-60	后盖板螺钉Screw	10	*	*	*	*	*	*
	10.1-61	后盖板螺钉Screw	8	*	*	*	*	*	*
52	10.1-62	后盖板螺钉垫圈Washer	10	*	*	*	*	*	*
	10.1-63	后盖板螺钉垫圈Washer	8	*	*	*	*	*	*
53	10.1-64	小挡油板Oil retaining plate	1	*	*	*	*	*	*
54	10.1-65	小挡油板螺钉Screw	1	*	*	*	*	*	*
55	10.1-66	商标牌Trade mark plate	1	*	*	*	*	*	*
	10.1-67	商标牌Trade mark plate	1	*	*	*	*	*	*
	10.1-68	商标牌Trade mark plate	1	*	*	*	*	*	*
	10.1-69	商标牌Trade mark plate	1	*	*	*	*	*	*
	10.1-70	商标牌Trade mark plate	1	*	*	*	*	*	*
	10.1-71	商标牌Trade mark plate	1	*	*	*	*	*	*
56	10.1-72	商标牌铆钉Rivet	2	*	*	*	*	*	*

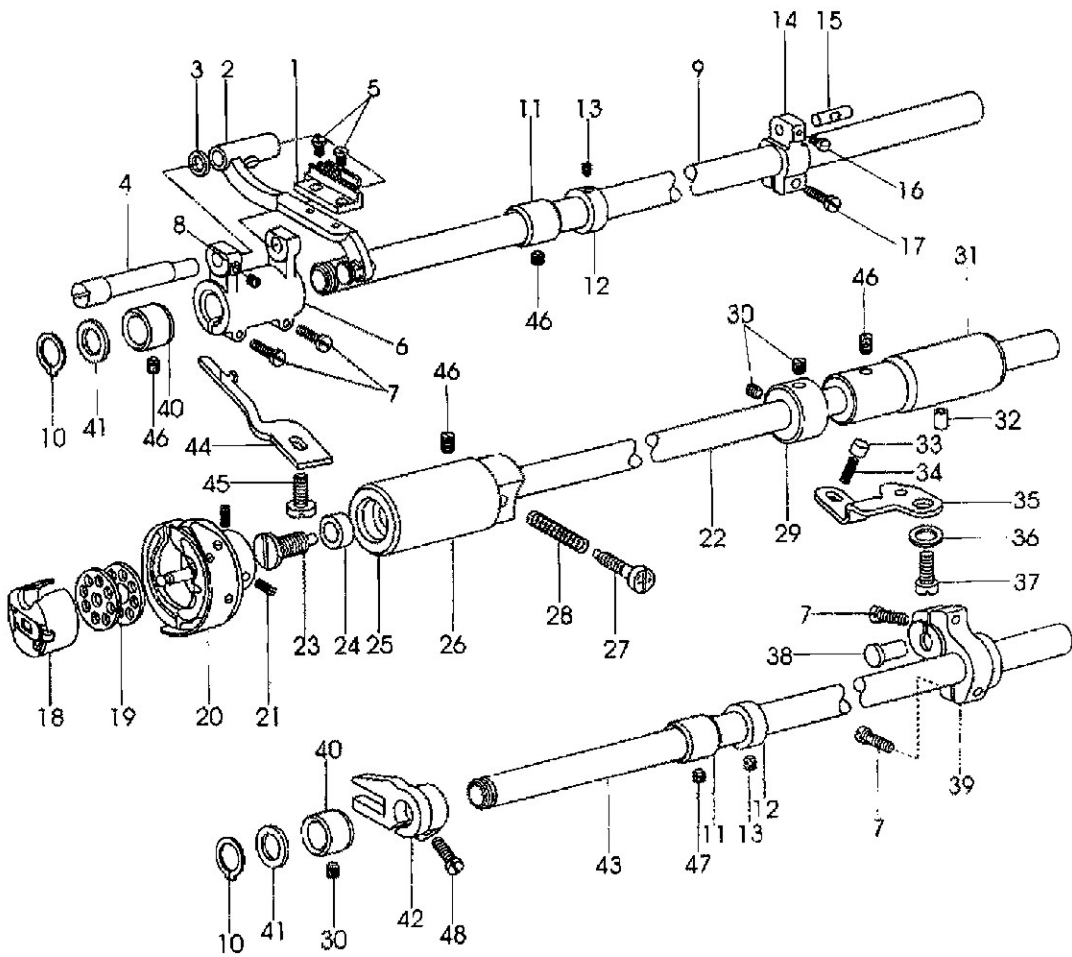
2



## 2.上轴、竖轴、挑线部件 Arm shaft and Vertical Thread Take-up

序号 No.	图号 Part No.	零件名称 Name of parts	数量 Qt.	329 329	329B 329B	329C 329C	329CX 329CX	923-1 923-1	339 339
1	14.2-1	上轴Arm shaft	1	*	*	*	*	*	*
	14.2-2	上轴Arm shaft	1						*
2	14.2-3	上轴橡皮塞Rubber plug	2	*	*	*	*	*	*
3	14.2-4	上轴紧圈Coller	1	*	*	*	*	*	*
4	14.2-5	上轴紧圈螺钉Screw	2	*	*	*	*	*	*
5	14.2-6	上轴前轴套Front bushing	1	*	*	*	*	*	*
6	14.2-7	上轴中轴套Middle bushing	1	*	*	*	*	*	*
7	14.2-8	中轴、竖轴套螺钉Screw	3	*	*	*	*	*	*
8	14.2-9	上轴后轴套Rear bushing	1	*	*	*	*	*	*
9	14.2-10	上轴后轴套油封组件Oil seal complete	1	*	*	*	*	*	*
10	14.2-11	上轴油封螺钉Screw	1	*	*	*	*	*	*
11	14.2-12	主动轮螺钉Screw	2	*	*	*	*	*	*
12	14.2-13	拾牙凸轮Feed dog lift cam	1	*	*	*	*	*	*
13	14.2-14	拾牙凸轮螺钉Screw	3	*	*	*	*	*	*
14	14.2-15	凸轮隔离片Seperating piece for cam	1	*	*	*	*	*	*
15	14.2-16	拾牙连杆Link	1	*	*	*	*	*	*
16	14.2-17	竖轴Vertical shaft	1	*	*	*	*	*	*
17	14.2-18	上轴伞齿轮Bevel gear	1	*	*	*	*	*	*
18	14.2-19	竖轴伞齿轮(上)Vertical shaft bevel gear (upper)	1	*	*	*	*	*	*
19	14.2-20	伞齿轮螺钉Screw	8	*	*	*	*	*	*
20	14.2-21	下轴伞齿轮Rock shaft bevel gear	1	*	*	*	*	*	*
21	14.2-22	竖轴伞齿轮(下)Vertical shaft bevel gear (lower)	1	*	*	*	*	*	*
22	14.2-23	竖轴轴套(上)组件Vertical shaft bushing (upper)	1	*	*	*	*	*	*
23	14.2-24	竖轴轴套(下)组件Vertical shaft bushing (lower)	1	*	*	*	*	*	*
24	14.2-25	针杆连杆挑线杆大组件Thread take-up lever complete	1	*	*	*	*	*	*
25	14.2-26	挑线连杆铰链轴螺钉Screw	1	*	*	*	*	*	*
26	14.2-27	挑线连杆铰链轴Hinge pin	1	*	*	*	*	*	*
27	14.2-28	针杆曲柄Needed bar crank	1	*	*	*	*	*	*
28	14.2-29	挑线曲柄螺钉Screw	1	*	*	*	*	*	*
29	14.2-30	挑线曲柄定位螺钉Screw	1	*	*	*	*	*	*
30	14.2-31	针杆曲柄螺钉Screw	1	*	*	*	*	*	*
31	14.2-32	针杆曲柄定位螺钉Screw	1	*	*	*	*	*	*
32	14.2-33	针杆上轴套橡皮塞(Φ8.8) Rubber plug	1	*	*	*	*	*	*
33	14.2-34	毛毡Felt	1	*	*	*	*	*	*
34	14.2-35	针杆上轴套Needle bar upper bushing	1	*	*	*	*	*	*
35	14.2-36	针杆Needle bar	1	*	*	*	*	*	*
36	14.2-37	针杆下轴套Needle bar lower bushing	1	*	*	*	*	*	*
37	14.2-38	针杆过线环Thread finger	1	*	*	*	*	*	*
38	14.2-39	机针Needle	1	*		*			*
	14.2-40	机针Needle	1		*				
	14.2-41	机针Needle	1				*		
	14.2-42	机针Needle	1					*	
39	14.2-43	夹针螺钉Screw	1	*	*	*	*	*	*
40	14.2-44	针杆接头螺钉Screw	1	*	*	*	*	*	*
41	14.2-45	针杆接头滑块导轨Rail	1	*	*	*	*	*	*
42	14.2-46	针杆接头滑块Sliding block	2	*	*	*	*	*	*
43	14.2-47	滑块导轨螺钉Screw	2	*	*	*	*	*	*
44	14.2-48	针杆接头Needle bar adaptor	1	*	*	*	*	*	*
45	14.2-49	垫片Washer	1	*	*	*	*	*	*
46	14.2-50	主动轮 Balance wheel	1	*	*	*	*	*	*

3

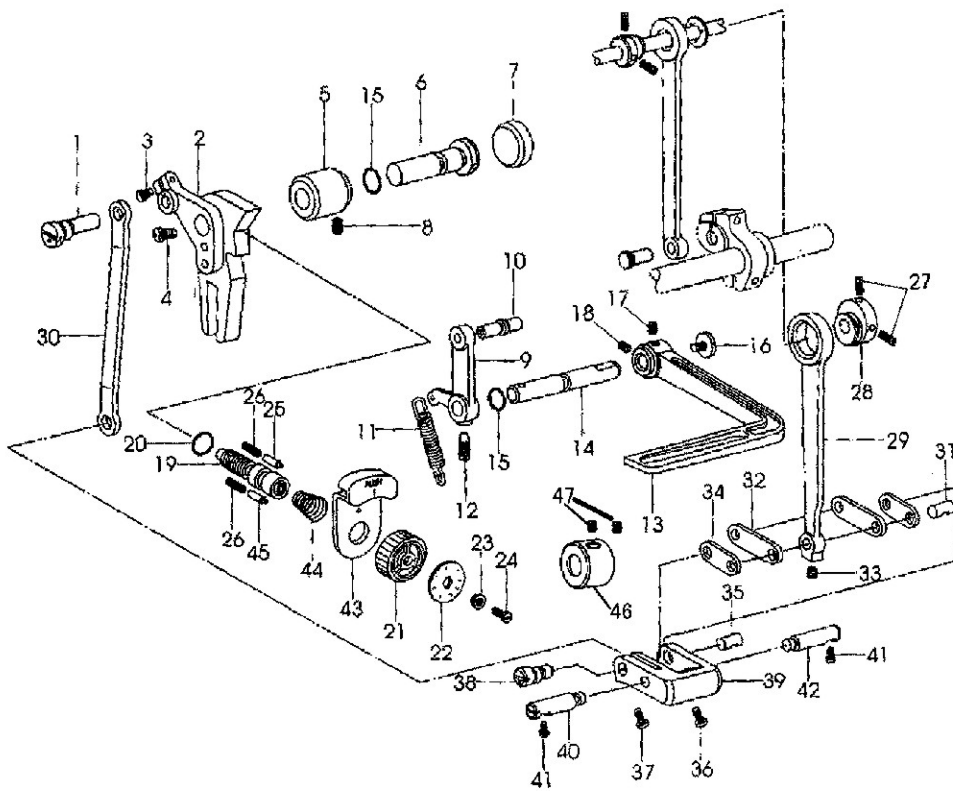


### 3.拾牙送布勾线部件 Feed Dog Lift Feed And Thread Looping

序号 No.	图号 Part No.	零件名称 Name of parts	数量 Qt.	329 329	329B 329B	329C 329C	329CX 329CX	923-1 923-1	339 339
1	10.3-1	送布牙Feed dog	1	*		*		*	*
	10.3-2	送布牙Feed dog	1		*				
	10.3-3	送布牙Feed dog	1				*		
2	10.3-4	牙架小组件Feed dog support complet	1	*	*	*	*	*	*
3	10.3-5	牙架垫圈Washer	1	*	*	*	*	*	*
4	10.3-6	牙架曲柄偏心轴Eccentric shaft	1	*	*	*	*	*	*
5	10.3-7	送布牙螺钉Screw	2	*	*	*	*	*	*
6	10.3-8	牙架曲柄 Feed dog support crank	1	*	*	*	*	*	*
7	10.3-9	曲柄螺钉Screw	4	*	*	*	*	*	*
8	10.3-10	牙架曲柄轴螺钉Screw	1	*	*	*	*	*	*
9	10.3-11	送布轴Feed dog	1	*	*	*	*	*	*
10	10.3-12	轴用弹性挡圈Stop dog	2	*	*	*	*	*	*
11	10.3-13	拾牙、送布轴中轴套 Feed shaft middle bushing	2	*	*	*	*	*	*
12	10.3-14	拾牙、送布轴紧圈Coller	2	*	*	*	*	*	*
13	10.3-15	紧圈螺钉Screw	4	*	*	*	*	*	*
14	10.3-16	送布轴曲柄（右）Feed shaft rear crank	1	*	*	*	*	*	*
15	10.3-17	曲柄连杆短销Link pin	1	*	*	*	*	*	*
16	10.3-18	曲柄连杆短销螺钉Screw	1	*	*	*	*	*	*
17	10.3-19	曲柄连杆短销夹紧螺钉Screw	1	*	*	*	*	*	*
18	10.3-20	梭心套组件Bobbin case complete	1	*	*	*			*
	10.3-21	梭心套组件Bobbin case complete	1				*		
	10.3-22	梭心套组件Bobbin case complete	1					*	
19	10.3-23	梭心 Bobbin	1	*	*	*	*	*	*
20	10.3-24	旋梭组件Hook complete	1	*	*	*			*
	10.3-25	旋梭组件Hook complete	1				*		
	10.3-26	旋梭组件Hook complete	1					*	
21	10.3-27	旋梭螺钉Screw	3	*	*	*	*	*	*
22	10.3-28	下轴Rock shaft	1	*	*	*	*	*	*
23	10.3-29	下轴滤油螺钉Screw	1	*	*	*	*	*	*
24	10.3-30	下轴滤油塞Plug	1	*	*	*	*	*	*
25	10.3-31	下轴油封Oil seal	1	*	*	*	*	*	*
26	10.3-32	下轴前轴套Front bushing	1	*	*	*	*	*	*
27	10.3-33	油量调节螺钉Screw	1	*	*	*	*	*	*
28	10.3-34	油量调节弹簧Spring	1	*	*	*	*	*	*
29	10.3-35	下轴紧圈Coller	1	*	*	*	*	*	*
30	10.3-36	下轴紧圈螺钉Screw	3	*	*	*	*	*	*
31	10.3-37	下轴后轴套Rear bushing	1	*	*	*	*	*	*
32	10.3-38	下轴轴套油管Oil tube	1	*	*	*	*	*	*
33	10.3-39	柱塞Plunge	1	*	*	*	*	*	*
34	10.3-40	柱塞弹簧Spring	1	*	*	*	*	*	*
35	10.3-41	挡板Stopper	1	*	*	*	*	*	*
36	10.3-42	挡板螺钉弹簧垫圈Washer	1	*	*	*	*	*	*
37	10.3-43	挡板螺钉 Screw	1	*	*	*	*	*	*
38	10.3-44	拾牙轴曲柄铰链轴Hinge pin	1	*	*	*	*	*	*
39	10.3-45	拾牙后曲柄Feed dog lift rear crank	1	*	*	*	*	*	*
40	10.3-46	拾牙、送布轴前轴套Feed shaft front bushing	2	*	*	*	*	*	*
41	10.3-47	拾牙轴前轴套垫圈Washer	2	*	*	*	*	*	*
42	10.3-48	拾牙叉Feed dog lift fork	1	*	*	*	*	*	*
43	10.3-49	拾牙轴Shaft for feed dog lift fork	1	*	*	*	*	*	*
44	10.3-50	旋梭定位勾Hook set bracket	1	*	*	*	*		*
	10.3-51	旋梭定位勾Hook set bracket	1					*	
45	10.3-52	旋梭定位勾螺钉Screw	1	*	*	*	*	*	*
46	10.3-53	送布轴套紧螺钉Screw	2	*	*	*	*	*	*
47	10.3-54	拾牙轴套螺钉Screw	1	*	*	*	*	*	*
48	10.3-55	拾牙叉夹紧螺钉Screw	1	*	*	*	*	*	*



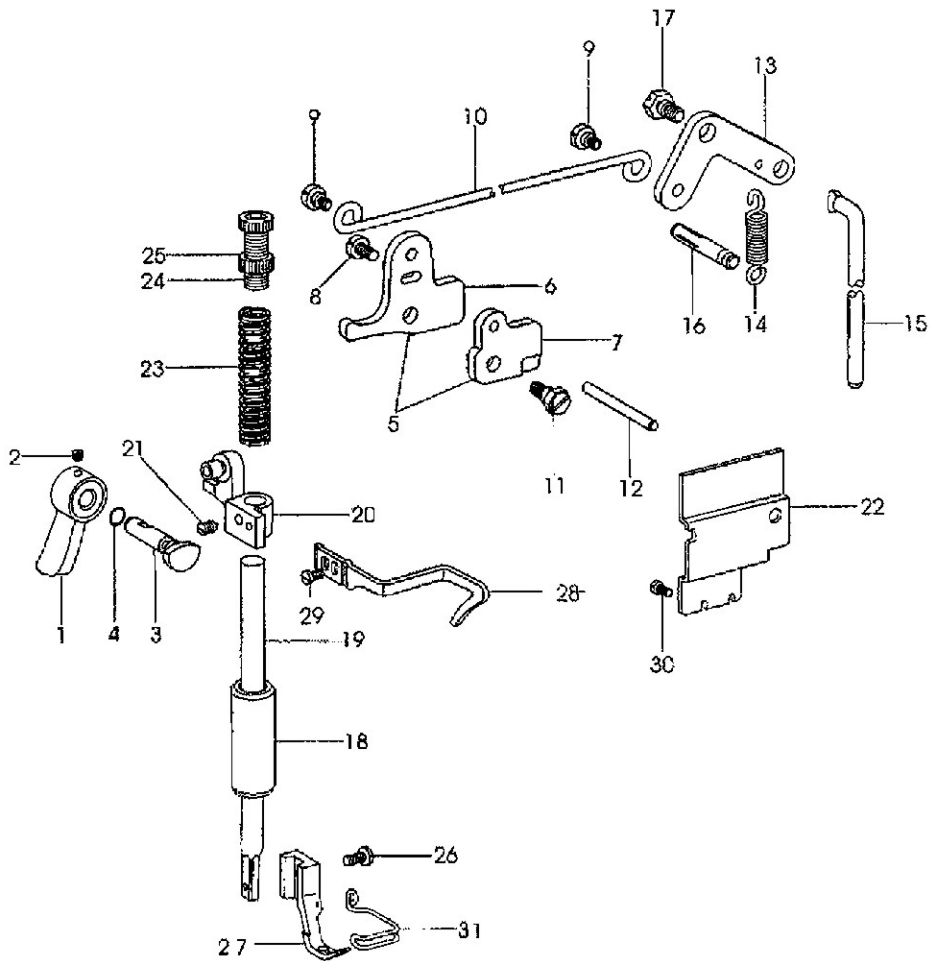
4



#### 4.送布调节机构 Feed Mechanism

序号 No.	图号 Part No.	零件名称 Name of parts	数量 Qt.	329 329	329B 329B	329C 329C	329CX 329CX	923-1 923-1	339 339
1	10.4-1	针距调节连杆销钉Link pin	1	*	*	*	*	*	*
2	10.4-2	针距座Stitch length bracket	1	*	*	*	*	*	*
3	10.4-3	针距座长螺钉Screw	1	*	*	*	*	*	*
4	10.4-4	针距座短螺钉Screw	1	*	*	*	*	*	*
5	10.4-5	针距座衬套Bushing	1	*	*	*	*	*	*
6	10.4-6	针距座轴Shaft for stitch length bracket	1	*	*	*	*	*	*
7	10.4-7	橡皮塞 (Φ20) Rubber plug	1	*	*	*	*	*	*
8	10.4-8	针距座衬套紧固螺钉Set screw	1	*	*	*	*	*	*
9	10.4-9	倒缝操作杆曲柄Reverse feed lever crank	1	*	*	*	*	*	*
10	10.4-10	操作杆曲柄滚柱组件Shaft for block	1	*	*	*	*	*	*
11	10.4-11	操作杆曲柄弹簧Spring	1	*	*	*	*	*	*
12	10.4-12	操作杆曲柄螺钉Screw	1	*	*	*	*	*	*
13	10.4-13	倒缝操作杆 Reverse feed lever	1	*	*	*	*	*	*
14	10.4-14	倒缝操作杆短轴Short shaft	1	*	*	*	*	*	*
15	10.4-15	O型密封圈 O-type ring	2	*	*	*	*	*	*
16	10.4-16	倒缝操纵吊紧螺钉Tension screw	1	*	*	*	*	*	*
17	10.4-17	反向送料扳手定位螺钉Set screw	1	*	*	*	*	*	*
18	10.4-18	反向送料扳手支头螺钉Screw	1	*	*	*	*	*	*
19	10.4-19	针距调节螺杆Screw bolt fo	1	*	*	*	*	*	*
20	10.4-20	O型密封圈 O-type ring	1	*	*	*	*	*	*
21	10.4-21	针距盘Dail cup	1	*	*	*	*	*	*
22	10.4-22	针距标盘Dail face	1	*	*	*	*	*	*
23	10.4-23	标盘螺钉衬套Screw bushing	1	*	*	*	*	*	*
24	10.4-24	针距盘螺钉Screw	1	*	*	*	*	*	*
25	10.4-25	止动销Stop pin	1	*	*	*	*	*	*
26	10.4-26	止动销弹簧Spring	1	*	*	*	*	*	*
27	10.4-27	送布凸轮螺钉Screw	2	*	*	*	*	*	*
28	10.4-28	送布凸轮Feed cam	1	*	*	*	*	*	*
29	10.4-29	送布连杆Feed link	1	*	*	*	*	*	*
30	10.4-30	针距调节连杆 Stitch adjusting link	1	*	*	*	*	*	*
31	10.4-31	曲柄连杆长销Pin	1	*	*	*	*	*	*
32	10.4-32	曲柄长连杆Link	2	*	*	*	*	*	*
33	10.4-33	曲柄连杆螺钉Screw	1	*	*	*	*	*	*
34	10.4-34	曲柄短连杆Link	2	*	*	*	*	*	*
35	10.4-35	曲柄连杆短销Pin	1	*	*	*	*	*	*
36	10.4-36	短连杆销螺钉Screw	1	*	*	*	*	*	*
37	10.4-37	连杆偏心轴螺钉Screw	1	*	*	*	*	*	*
38	10.4-38	连杆偏心轴 Link eccentric shaft	1	*	*	*	*	*	*
39	10.4-39	针距调节曲柄Stitch length adjusting crank	1	*	*	*	*	*	*
40	10.4-40	针距调节曲柄定位销 (左) Set pin(left)	1	*	*	*	*	*	*
41	10.4-41	左定位销螺钉Screw	2	*	*	*	*	*	*
42	10.4-42	针距调节曲柄定位销 (右) Set pin(right)	1	*	*	*	*	*	*
43	10.4-43	针距按键Push lever	1	*	*	*	*	*	*
44	10.4-44	针距按键簧Spring	1	*	*	*	*	*	*
45	10.4-45	针距盘挡销Pin	1	*	*	*	*	*	*
46	10.4-46	倒缝操纵杆短轴紧圈	1					*	
47	10.4-47	倒缝操纵杆短轴紧圈螺钉	2					*	

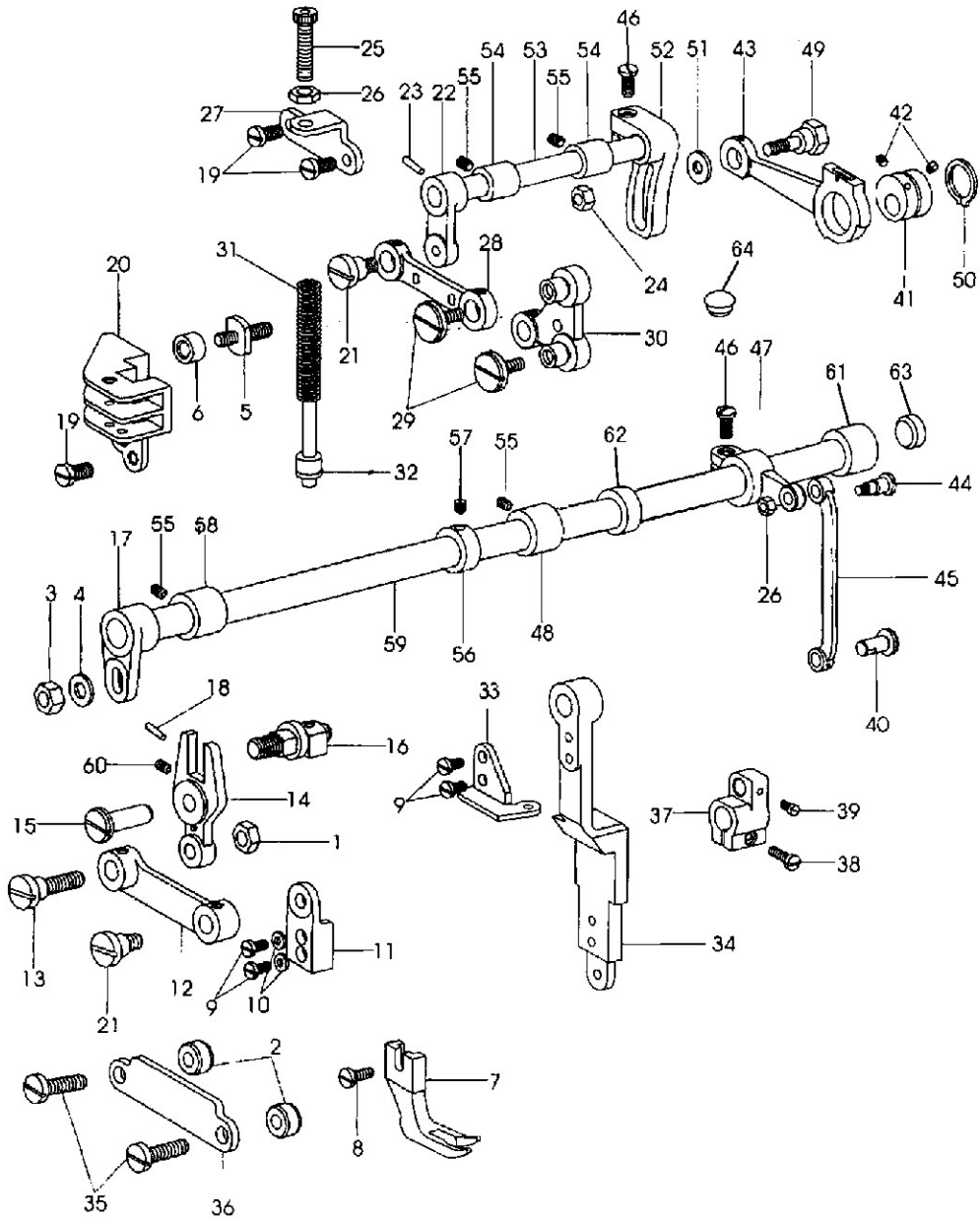
5



## 5.压脚部件 Presser Foot Parts

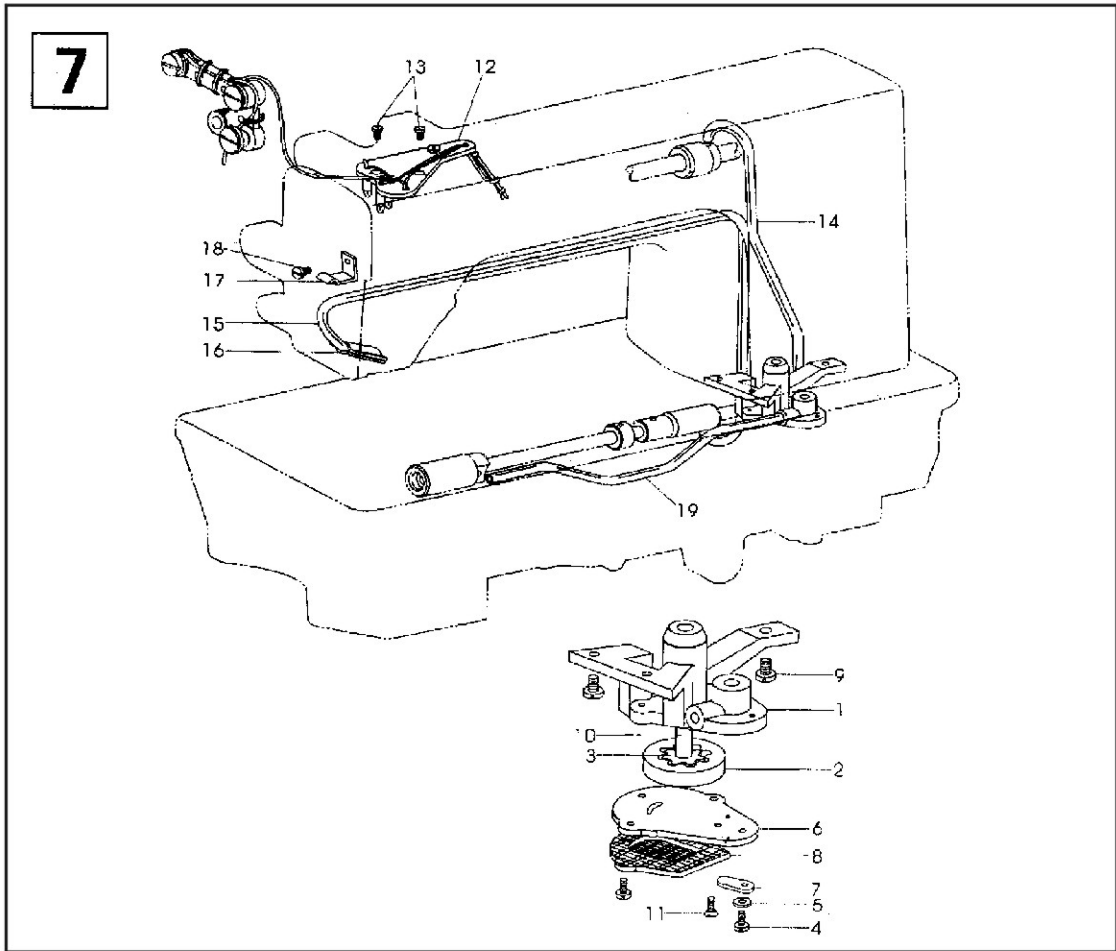
序号 No.	图号 Part No.	零件名称 Name of parts	数量 Qt.	329 329	329B 329B	329C 329C	329CX 329CX	923-1 923-1	339 339
1	10.5-1	压脚扳手Presser foot lift bar	1	*	*	*	*	*	*
2	10.5-2	压脚扳手螺钉Screw	1	*	*	*	*	*	*
3	10.5-3	压紧杆提升凸轮Presser bar lift cam	1	*	*	*	*	*	*
4	10.5-4	压紧杆提升凸轮油封Oil seal	1	*	*	*	*	*	*
6	10.5-5	膝控提升杠杆(左)lever(left)	1	*	*			*	*
	10.5-6	膝控提升杠杆(左)lever(left)	1			*	*		
7	10.5-7	松线凸轮Thread releasing cam	1	*	*	*	*	*	*
8	10.5-8	膝控提升杠杆(左)螺钉Screw	1	*	*	*	*	*	*
9	10.5-9	铰链螺钉Screw	2	*	*	*	*	*	*
10	10.5-10	膝控提升拉杆Knee lifter drawing bar	1	*	*	*	*	*	*
11	10.5-11	松线凸轮螺钉Screw	2	*	*	*	*	*	*
12	10.5-12	松线杆Thread releasing lever	1	*	*	*	*	*	*
13	10.5-13	膝控提升杠杆(右)Knee lifter lever(right)	1	*	*	*	*	*	*
14	10.5-14	膝控提升杠杆(右)弹簧Spring	1	*	*	*	*	*	*
15	10.5-15	膝控提升连杆Connecting rod	1	*	*				*
	10.5-16	膝控提升连杆Connecting rod	1			*	*	*	
16	10.5-17	弹簧销Pin	1	*	*	*	*	*	*
17	10.5-18	膝控提升杠杆(右)螺钉Screw	1	*	*	*	*	*	*
18	10.5-19	压紧杆轴套Bushing for presser bar	1	*	*	*	*	*	*
19	10.5-20	压紧杆Presser bar	1	*	*	*	*	*	*
20	10.5-21	压紧杆导架Guide for presser bar	1	*	*	*	*	*	*
21	10.5-22	压紧杆导架螺钉Screw	1	*	*	*	*	*	*
22	10.5-23	挡油板Oil stop plate	1	*	*	*	*	*	*
23	10.5-24	压紧杆弹簧Spring	1	*	*	*	*	*	*
24	10.5-25	调节螺钉Screw	1	*	*	*	*	*	*
25	10.5-26	调节螺钉锁紧螺母Nut	1	*	*	*	*	*	*
26	10.5-27	压脚螺钉Screw	1	*	*	*	*	*	*
27	10.5-28	小压脚Presser foot	1	*		*			*
	10.5-29	小压脚Presser foot	1		*				
	10.5-30	小压脚Presser foot	1				*		
	10.5-31	小压脚Presser foot	1					*	
28	10.5-32	大线勾Thread guide	1	*	*	*	*	*	*
29	10.5-33	大线勾螺钉Screw	1	*	*	*	*	*	*
30	10.5-34	挡油板螺钉Screw	1	*	*	*	*	*	*
31	10.5-35	防护钩Finger guard	1	*	*	*	*	*	*

6



## 6.上送料部件 Upper Feed Parts

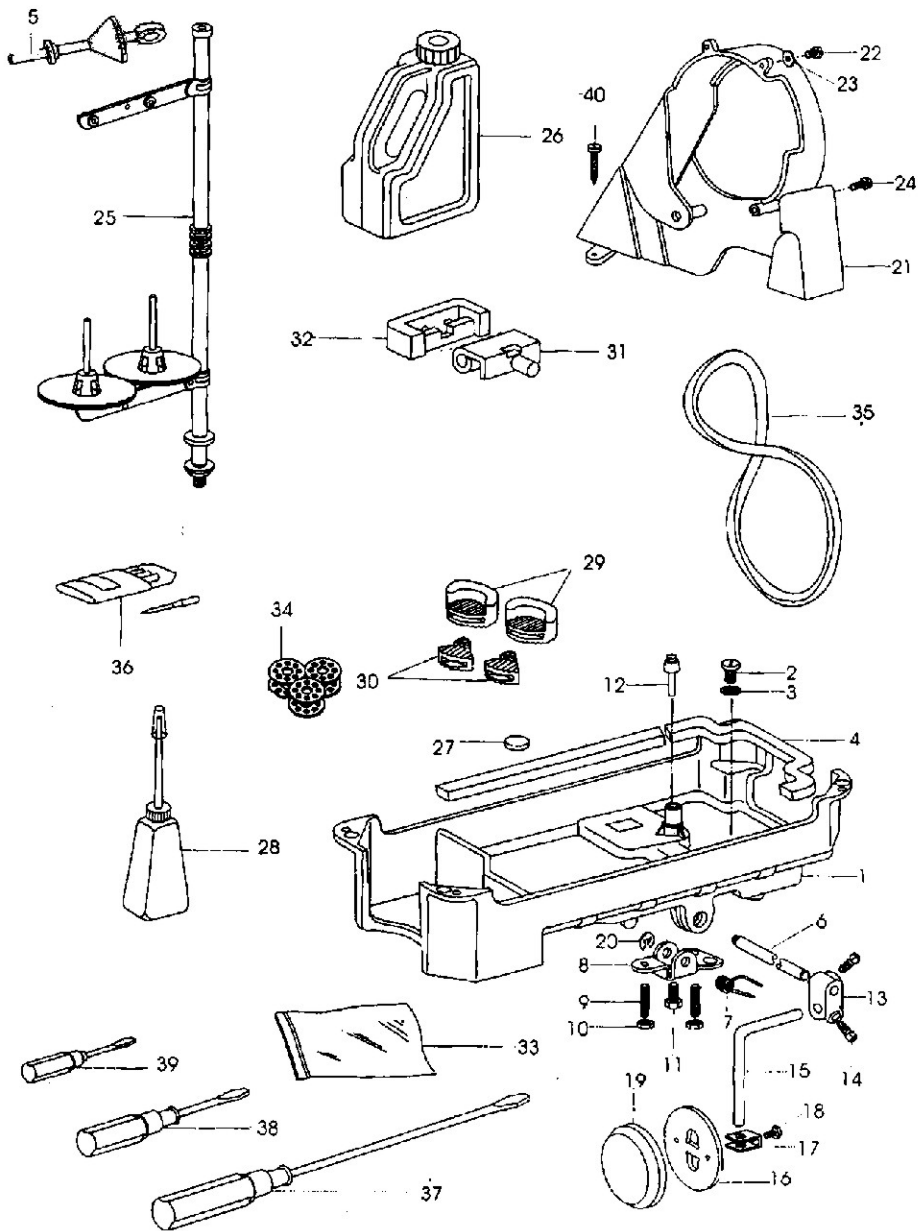
序号 No.	图号 Part No.	零件名称 Name of parts	数量 Qt.	329 329	329B 329B	329C 329C	329CX 329CX	923-1 923-1	339 339
1	10.6-1	压脚送料变动连接螺母Nut	2	*	*	*	*	*	*
2	10.6-2	压脚连杆压板垫块Shim	2	*	*	*	*	*	*
3	10.6-3	压脚曲柄连接螺母Nut	1	*	*	*	*	*	*
4	10.6-4	压脚曲柄连接垫圈Washer	1	*	*	*	*	*	*
5	10.6-5	送料曲柄导柱轴Guide shaft	1	*	*	*	*	*	*
6	10.6-6	提升压脚导柱轴滚柱Needle of bearing	1	*	*	*	*	*	*
7	10.6-7	摆压脚Walking foot	1	*	*	*	*	*	*
7	10.6-8	摆压脚Walking foot	1	*	*	*	*	*	*
8	10.6-9	压脚螺钉Screw	1	*	*	*	*	*	*
9	10.6-10	摆动连杆座螺钉Screw	4	*	*	*	*	*	*
10	10.6-11	摆动连杆座螺钉垫圈Washer	2	*	*	*	*	*	*
11	10.6-12	摆压脚杆座Holder for walking foot bar	1	*	*	*	*	*	*
12	10.6-13	摆压脚连杆Link of walking foot	1	*	*	*	*	*	*
13	10.6-14	压脚送料变动连接螺钉Screw	1	*	*	*	*	*	*
14	10.6-15	摆压脚叉形杆Fork lever	1	*	*	*	*	*	*
15	10.6-16	摆压脚叉形杆销pin	1	*	*	*	*	*	*
16	10.6-17	提升压脚变动曲柄轴组件Crank shaft complete	1	*	*	*	*	*	*
17	10.6-18	压脚摆动前曲柄Front crank	1	*	*	*	*	*	*
18	10.6-19	圆锥销Pin	1	*	*	*	*	*	*
19	10.6-20	提升压脚导位板螺钉Screw	4	*	*	*	*	*	*
20	10.6-21	提升压脚导位板Guide plate	1	*	*	*	*	*	*
21	10.6-22	压脚送料曲柄连杆螺钉Screw	2	*	*	*	*	*	*
22	10.6-23	压脚升降前曲柄Crank	1	*	*	*	*	*	*
23	10.6-24	圆锥销Pin	1	*	*	*	*	*	*
24	10.6-25	六角螺母Nut	1	*	*	*	*	*	*
25	10.6-26	摆压脚调压螺钉Screw	1	*	*	*	*	*	*
26	10.6-27	摆压脚调压螺母Nut	2	*	*	*	*	*	*
27	10.6-28	摆压脚调压螺钉架Bracket for adjusting screw	1	*	*	*	*	*	*
28	10.6-29	压脚送料曲柄连杆 Link	1	*	*	*	*	*	*
29	10.6-30	压脚送料曲柄螺钉Screw	2	*	*	*	*	*	*
30	10.6-31	压脚送料曲柄Presser foot feed crank	1	*	*	*	*	*	*
31	10.6-32	摆压脚调压杆弹簧Spring	1	*	*	*	*	*	*
32	10.6-33	调压杆弹簧杆柱Guide pin	1	*	*	*	*	*	*
33	10.6-34	提升压脚导柱定位板Set plate	1	*	*	*	*	*	*
34	10.6-35	摆压脚杆 Walking foot lever	1	*	*	*	*	*	*
35	10.6-36	提升压脚连杆压板螺钉Screw	2	*	*	*	*	*	*
36	10.6-37	提升压脚连杆压板Presser plate	1	*	*	*	*	*	*
36	10.6-38	提升压脚连杆压板Presser plate	1	*	*	*	*	*	*
37	10.6-39	送布轴曲柄(中) Feed shaft middle crank	1	*	*	*	*	*	*
38	10.6-40	送布轴曲柄(中)螺钉Screw	1	*	*	*	*	*	*
39	10.6-41	大连杆曲柄连接销Pin screw	1	*	*	*	*	*	*
40	10.6-42	大连杆曲柄连接销Connecting pin	1	*	*	*	*	*	*
41	10.6-43	压脚升降偏心轮Eccentric cam	1	*	*	*	*	*	*
41	10.6-43	压脚升降偏心轮Eccentric cam	1	*	*	*	*	*	*
42	10.6-45	螺钉Screw	1	*	*	*	*	*	*
43	10.6-46	偏心轮连杆Link complete	1	*	*	*	*	*	*
43	10.6-47	偏心轮连杆Link complete	1	*	*	*	*	*	*
44	10.6-48	压脚摆动后曲柄连杆螺钉Screw	1	*	*	*	*	*	*
45	10.6-49	摆压脚大连杆Link	1	*	*	*	*	*	*
46	10.6-50	偏心轮连杆调节曲柄螺钉Screw	1	*	*	*	*	*	*
47	10.6-51	压脚摆动后曲柄 Rear crank	1	*	*	*	*	*	*
48	10.6-52	压脚摆动轴中轴套Middle bushing	1	*	*	*	*	*	*
49	10.6-53	偏心轮连杆螺钉Screw	1	*	*	*	*	*	*
50	10.6-54	轴用C型挡圈 Split ring	1	*	*	*	*	*	*
51	10.6-55	垫圈Washer	1	*	*	*	*	*	*
52	10.6-56	偏心轮连杆调节曲柄 Link adjusting crank	1	*	*	*	*	*	*
53	10.6-57	压脚升降轴Presser foot lift shaft	1	*	*	*	*	*	*
54	10.6-58	摆压脚提升轴套Bushing	2	*	*	*	*	*	*
55	10.6-59	摆压脚提升轴套紧定螺钉Screw	4	*	*	*	*	*	*
56	10.6-60	压脚摆动轴紧圈Collar	1	*	*	*	*	*	*
57	10.6-61	压脚摆动轴紧圈螺钉Screw	2	*	*	*	*	*	*
58	10.6-62	压脚摆动轴前轴套Front bushing	1	*	*	*	*	*	*
59	10.6-63	压脚摆动轴Presser foot lift shaft	1	*	*	*	*	*	*
59	10.6-64	压脚摆动轴Presser foot lift shaft	1	*	*	*	*	*	*
60	10.6-65	摆压脚叉形杆销螺钉Screw	1	*	*	*	*	*	*
61	10.6-66	压脚摆动轴后轴套Rear crank	1	*	*	*	*	*	*
62	10.6-67	压脚摆动轴油封Oil rejector	1	*	*	*	*	*	*
63	10.6-68	压脚摆动轴后轴套橡皮塞Rubber plug	1	*	*	*	*	*	*
64	10.6-69	压脚摆动后曲柄调节橡皮塞Rubber plug	1	*	*	*	*	*	*



## 7、油泵部件 Oil Pump

序号 No.	图号 Part No.	零件名称 Name of parts	数量 Qt.	329 329	329B 329B	329C 329C	329CX 329CX	923-1 923-1	339 339
1	10.7-1	油泵体 Oil pump	1	*	*	*	*	*	*
2	10.7-2	油泵大齿轮Big gear for oil pump	1	*	*	*	*	*	*
3	10.7-3	油泵小齿轮Small gear for oil pump	1	*	*	*	*	*	*
4	10.7-4	螺钉Screw	3	*	*	*	*	*	*
5	10.7-5	垫圈Washer	4	*	*	*	*	*	*
6	10.7-6	油泵体盖板Cover for oil pump	1	*	*	*	*	*	*
7	10.7-7	油泵调节板Adjusting plate for oil pump	1	*	*	*	*	*	*
8	10.7-8	油泵滤网组件Filter complete	1	*	*	*	*	*	*
9	10.7-9	油泵体螺钉Screw for oil pump	3	*	*	*	*	*	*
10	10.7-10	油泵体短轴Shaft for oil pump	1	*	*	*	*	*	*
11	10.7-11	油泵体盖板螺钉Screw	3	*	*	*	*	*	*
12	10.7-12	油线固定板组件Oil wick set plate complete	1	*	*	*	*	*	*
13	10.7-13	油线固定板螺钉Screw	2	*	*	*	*	*	*
14	10.7-14	上轴油管组件Oil pipe complete for upper shaft	1	*	*	*	*	*	*
15	10.7-15	回油管Oil return pipe	1	*	*	*	*	*	*
16	10.7-16	回油管滤油毡Oil felt	1	*	*	*	*	*	*
17	10.7-17	回油管夹Oil return pipe clamp	1	*	*	*	*	*	*
18	10.7-18	回油管螺钉Screw	1	*	*	*	*	*	*
19	10.7-19	下轴油管组件Oil pipe complete for lower shaft	1	*	*	*	*	*	*

8





## 8、附件Oil Reservoir And Accessories

序号 No.	图号 Part No.	零件名称 Name of parts	数量 Qt.	329 329	329B 329B	329C 329C	329CX 329CX	923-1 923-1	339 339
1	10.8-1	油盘Oil reservoir	1	*	*	*	*	*	*
2	10.8-2	放油螺钉Screw	1	*	*	*	*	*	*
3	10.8-3	放油螺钉垫圈Washer	1	*	*	*	*	*	*
4	10.8-4	油盘垫(大)Gasket	1	*	*	*	*	*	*
5	10.8-5	轴承线架Spool stand complete	1	*	*	*	*	*	*
6	10.8-6	膝控铰链轴Hinge pin	1	*	*	*	*	*	*
7	10.8-7	膝控复位弹簧Spring	1	*	*	*	*	*	*
8	10.8-8	膝控限位架Knee lifter stop bracket	1	*	*	*	*	*	*
9	10.8-9	膝控限位调节螺钉Screw	2	*	*	*	*	*	*
10	10.8-10	调节螺母Nut	2	*	*	*	*	*	*
11	10.8-11	膝控限位架螺钉Screw	1	*	*	*	*	*	*
12	10.8-12	膝控提升顶杆Knee lifter prop bar	1	*	*	*	*	*	*
13	10.8-13	碰块弯杆接头Connector	1	*	*	*	*	*	*
14	10.8-14	碰块弯杆接头螺钉Screw	2	*	*	*	*	*	*
15	10.8-15	膝控碰块弯杆Bent rod	1	*	*	*	*	*	*
16	10.8-16	膝控碰块Bell	1	*	*	*	*	*	*
17	10.8-17	碰块架Bell bracket	1	*	*	*	*	*	*
18	10.8-18	碰块架螺钉Screw	1	*	*	*	*	*	*
19	10.8-19	碰块垫Pat	1	*	*	*	*	*	*
20	10.8-20	开口挡圈Split stop ring	2	*	*	*	*	*	*
21	10.8-21	皮带罩组件Belt guard complete	1	*	*	*	*	*	*
22	10.8-22	皮带罩螺钉(小)Screw	2	*	*	*	*	*	*
23	10.8-23	皮带罩螺钉垫圈Washer	2	*	*	*	*	*	*
24	10.8-24	皮带罩螺钉(大)Screw	1	*	*	*	*	*	*
25	10.8-25	线架组件Spool stand complete	1	*	*	*	*	*	*
26	10.8-26	油箱Oil tank	1	*	*	*	*	*	*
27	10.8-27	磁块Magnet	2	*	*	*	*	*	*
28	10.8-28	小油壶Oil pot	2	*	*	*	*	*	*
29	10.8-29	机头防震垫块(大)Cushion (big)	2	*	*	*	*	*	*
30	10.8-30	机头防震垫块(小)Cushion (small)	2	*	*	*	*	*	*
31	10.8-31	机壳拾扳连接勾Rubber coat	2	*	*	*	*	*	*
32	10.8-32	连接勾防震外护套Hinge	2	*	*	*	*	*	*
33	10.8-33	零件袋Pasts bag	1	*	*	*	*	*	*
34	10.8-34	梭芯Bobbin	3	*	*	*	*	*	*
35	10.8-35	三角皮带V-type belt	1	*	*	*	*	*	*
36	10.8-36	机针Needle	1包	*	*	*	*	*	*
37	10.8-37	螺钉起子(大)Screwdriver (big)	1	*	*	*	*	*	*
38	10.8-38	螺钉起子(中)Screwdriver (middle)	1	*	*	*	*	*	*
39	10.8-39	螺钉起子(小)Screwdriver (small)	1	*	*	*	*	*	*
40	10.8-40	木螺钉Screw	2	*	*	*	*	*	*