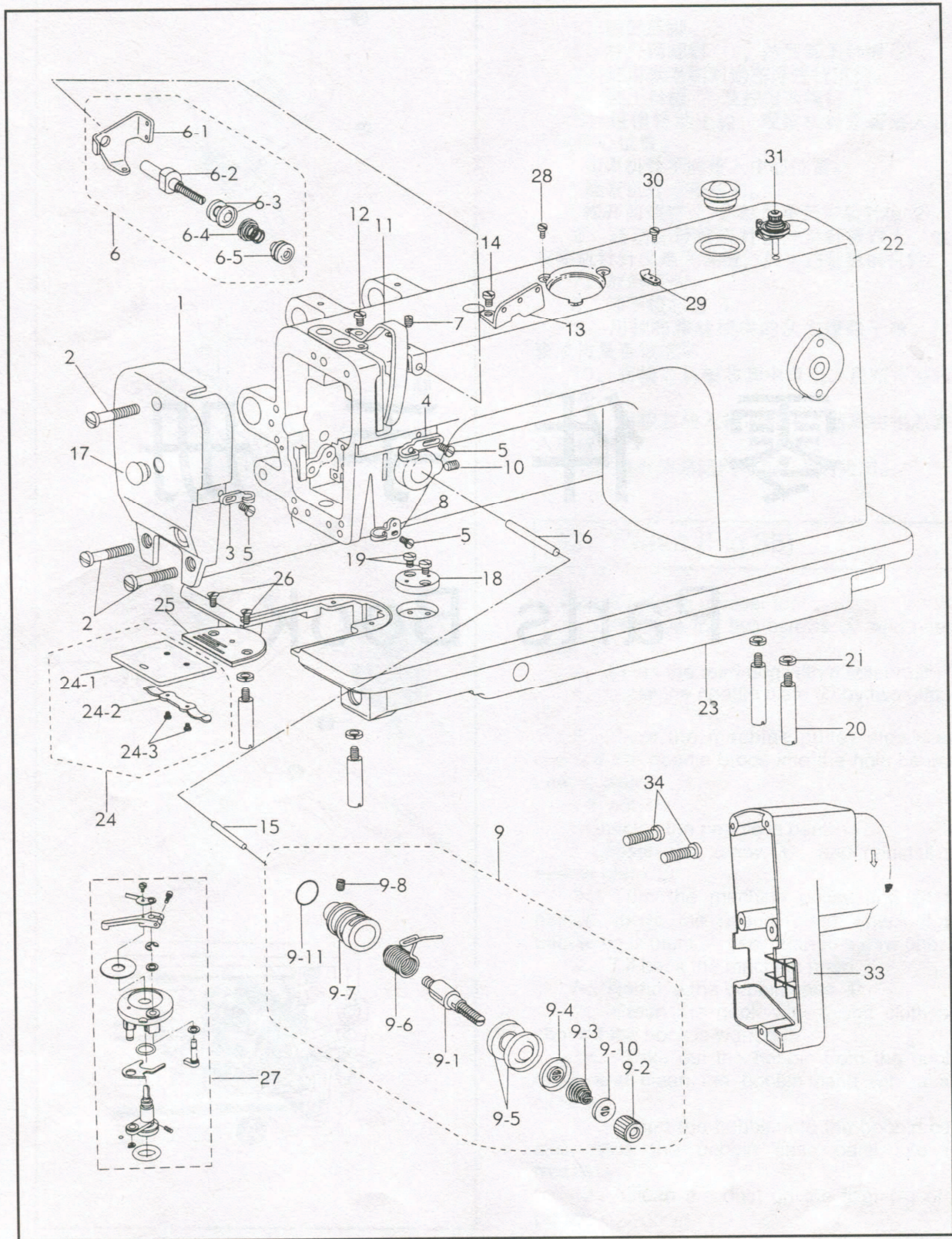


零件手册

Parts Book

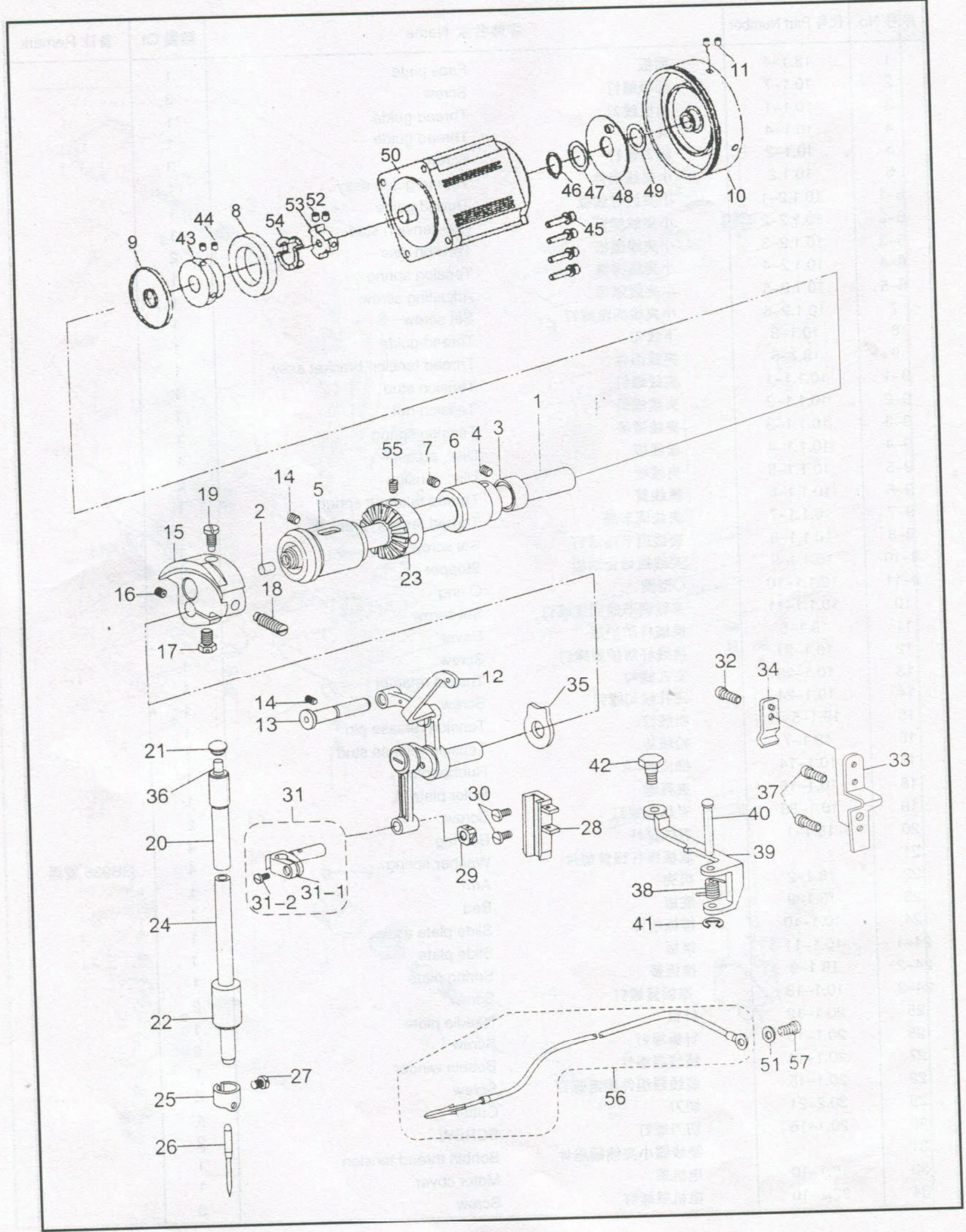
1、机壳部件 Casting mechanism



1、机壳部件 Casting mechanism

序号 No.	代号 Part Number	零件名称 Name	数量 Qt.	备注 Remark
1	18.1-4	面板 Face plate	1	
2	10.1-7	面板螺钉 Screw	3	
3	10.1-1	面板线勾 Thread guide	1	
4	10.1-4	线勾 Thread guide	1	
5	10.1-2	线勾螺钉 Screw	3	
6	10.1.2	小夹线组件 Thread guide assy.	1	
6-1	10.1.2-1	小夹线过线板 Thread guide	1	
6-2	10.1.2-2	小夹线螺钉 Rre-tension stud	1	
6-3	10.1.2-3	小夹线组板 Tension disc	2	
6-4	10.1.2-4	小夹线弹簧 Tension spring	1	
6-5	10.1.2-5	小夹线螺母 Adjusting screw	1	
7	10.1.2-6	小夹线固定螺钉 Set screw	1	
8	10.1-3	下线勾 Thread guide	1	
9	18.1-5	夹线组件 Thread tension bracket assy.	1	
9-1	10.1.1-1	夹线螺钉 Tension stud	1	
9-2	10.1.1-2	夹线螺母 Tension nut	1	
9-3	10.1.1-3	夹线弹簧 Tension spring	1	
9-4	10.1.1-4	松线板 Disc presser	1	
9-5	10.1.1-5	夹线板 Disc, tension	2	
9-6	10.1.1-6	挑线簧 Thread take-up spring	1	
9-7	10.1.1-7	夹线调节座 Thread tension bracket	1	
9-8	10.1.1-8	夹线调节座螺钉 Set screw	1	
9-10	10.1.1-9	夹线螺母止动板 Stopper	1	
9-11	10.1.1-10	O型圈 O ring	1	
10	10.1.1-11	夹线调节座固定螺钉 Set screw	1	
11	18.1-6	挑线杆防护罩 Cover	1	
12	10.1-21	挑线杆防护罩螺钉 Screw	1	
13	10.1-23	三孔线勾 Thread retainer	1	
14	10.1-24	三孔线勾螺钉 Screw	1	
15	18.1-5-1	松线钉 Tension release pin	1	
16	18.1-7	松线棒 Tension release stud	1	
17	10.1-14	橡皮塞 Rubber plug	1	
18	10.1-15	夹具座 Ruler plate	1	
19	10.1-35	夹具座螺钉 Screw	2	
20	18.1-1	底板撑杆 Bed leg	4	
21		底板撑杆弹簧垫片 Washer, spring	4	
22	18.1-2	机壳 Arm	1	GB936 发黑
23	10.1-9	底板 Bed	1	
24	10.1-10	推板组件 Slide plate assy.	1	
24-1	10.1-11	推板 Slide plate	1	
24-2	18.1-9	推板簧 Spring plate	1	
24-3	10.1-13	推板簧螺钉 Screw	2	
25	20.1-12	针板 Needle plate	1	
26	20.1-13	针板螺钉 Screw	2	
27	20.1-14	绕线器组件 Bobbin winder	1	
28	20.1-15	绕线器组件固定螺钉 Screw	3	
29	30.2-21	切刀 Cutter	1	
30	20.1-16	切刀螺钉 SCREW	2	
31		绕线器小夹线器组件 Bobbin thread tension	1	
33	18.1-10	电机罩 Motor cover	1	
34	22.1-10	电机罩螺钉 Screw	3	

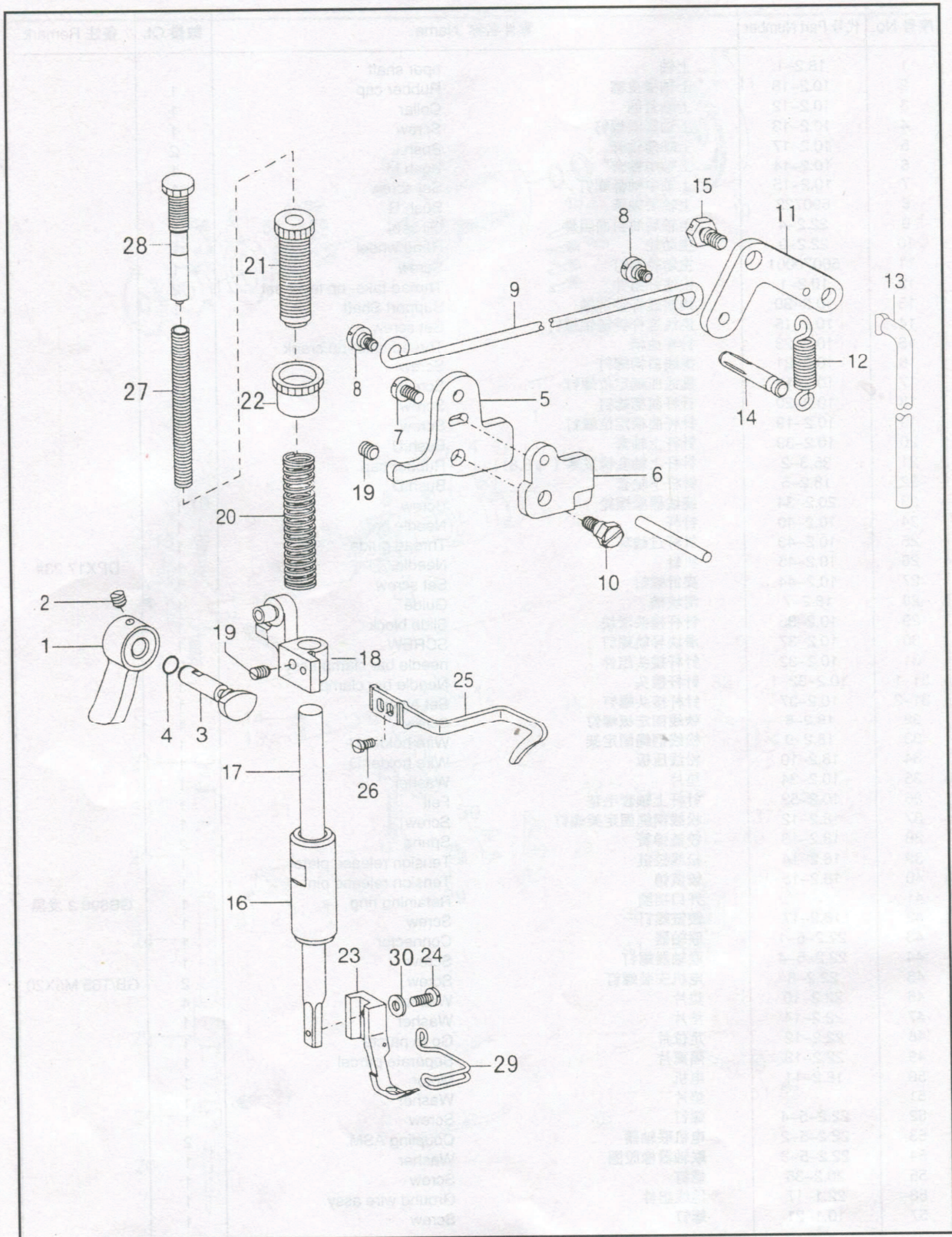
2、针杆、挑线部件 Needle bar and thread take-up mechanism



2、针杆、挑线部件 Needle bar and thread take-up mechanism

序号 No.	代号 Part Number	零件名称 Name	数量 Qt.	备注 Remark
1	18.2-1	上轴 pper shaft	-	
2	10.2-18	上轴橡皮塞 Rubber cap	1	
3	10.2-12	上轴紧圈 Collar	1	
4	10.2-13	上轴紧圈螺钉 Screw	1	
5	10.2-17	上轴前轴套 Bush.L	1	
6	10.2-14	上轴中轴套 Bush.M	2	
7	10.2-15	上轴中轴套螺钉 Set screw	1	
8	690722	上轴后轴承 Bush.R	1	
9	22.2-4	上轴后油封面组件 Oil seal	1	
10	22.2-9	主动轮 Hand wheel	1	
11	50070001	主动轮螺钉 Screw	1	
12	10.2-1	挑线杆组件 Thread take-up lever set	2	
13	10.2-30	挑线连杆铰链轴 Support Shaft	1	
14	10.2-15	挑线连杆铰链轴螺钉 Set screw	1	
15	10.2-23	针杆曲柄 Thread take-up crank	2	
16	10.2-21	挑线曲柄螺钉 Screw	1	
17	10.2-11	挑线曲柄定位螺钉 Screw	1	
18	10.2-20	针杆曲柄螺钉 Screw	1	
19	10.2-19	针杆曲柄定位螺钉 Screw	1	
20	10.2-39	针杆上轴套 Bush.U	1	
21	35.3-2	针杆上轴套橡皮塞 (φ8.8) Rubber cap	1	
22	18.2-5	针杆下轴套 Bush.D	1	
23	20.2-34	绕线器摩擦轮 Screw	1	
24	10.2-40	针杆 Needle bar	1	
25	10.2-43	针杆过线环 Thread guide	1	
26	10.2-45	机针 Needle	1	
27	10.2-44	夹针螺钉 Set screw	1	DPX17 23#
28	18.2-7	滑块槽 Guide	1	
29	10.2-35	针杆接头滑块 Slide block	1	
30	10.2-37	滑块导轨螺钉 SCREW	1	
31	10.2-32	针杆接头组件 needle bar clamp assy.	2	
31-1	10.2-32-1	针杆接头 Needle bar clamp	1	
31-2	10.2-37	针杆接头螺钉 Set ecrew	1	
32	18.2-8	软线固定板螺钉 Screw	1	
33	18.2-9	松线钢绳固定架 Wire holder.U	1	
34	18.2-10	松线压板 Wire holder.D	1	
35	10.2-34	垫片 Washer	1	
36	10.2-52	针杆上轴套毛毡 Felt	1	
37	18.2-12	松线钢绳固定架螺钉 Screw	1	
38	18.2-13	铰链弹簧 Spring	2	
39	18.2-14	松线铰链 Tension release plate	1	
40	18.2-15	铰链销 Tension release pin	1	
41		开口挡圈 Retaining ring	1	
42	18.2-17	铰链螺钉 Screw	1	GB896 2 发黑
43	22.2-5-1	联轴器 Connector	1	
44	22.2-5-4	联轴器螺钉 Screw	1	
45	22.2-8	电机安装螺钉 Screw	1	
46	22.2-10	垫片 Washer	2	GB/T65 M5X20
47	22.2-14	垫片 Washer	4	
48	22.2-12	定位片 Go to parcel	1	
49	22.2-13	隔离片 Separate parcel	1	
50	18.2-11	电机 Motor	1	
51		垫片 Washer	1	
52	22.2-5-4	螺钉 Screw	1	
53	22.2-5-2	电机联轴器 Coupling ASM.	1	
54	22.2-5-3	联轴器橡胶圈 Washer	2	
55	20.2-35	螺钉 Screw	1	
56	22.1-17	地线组件 Ground wire assy.	1	
57	10.1-21	螺钉 Screw	1	

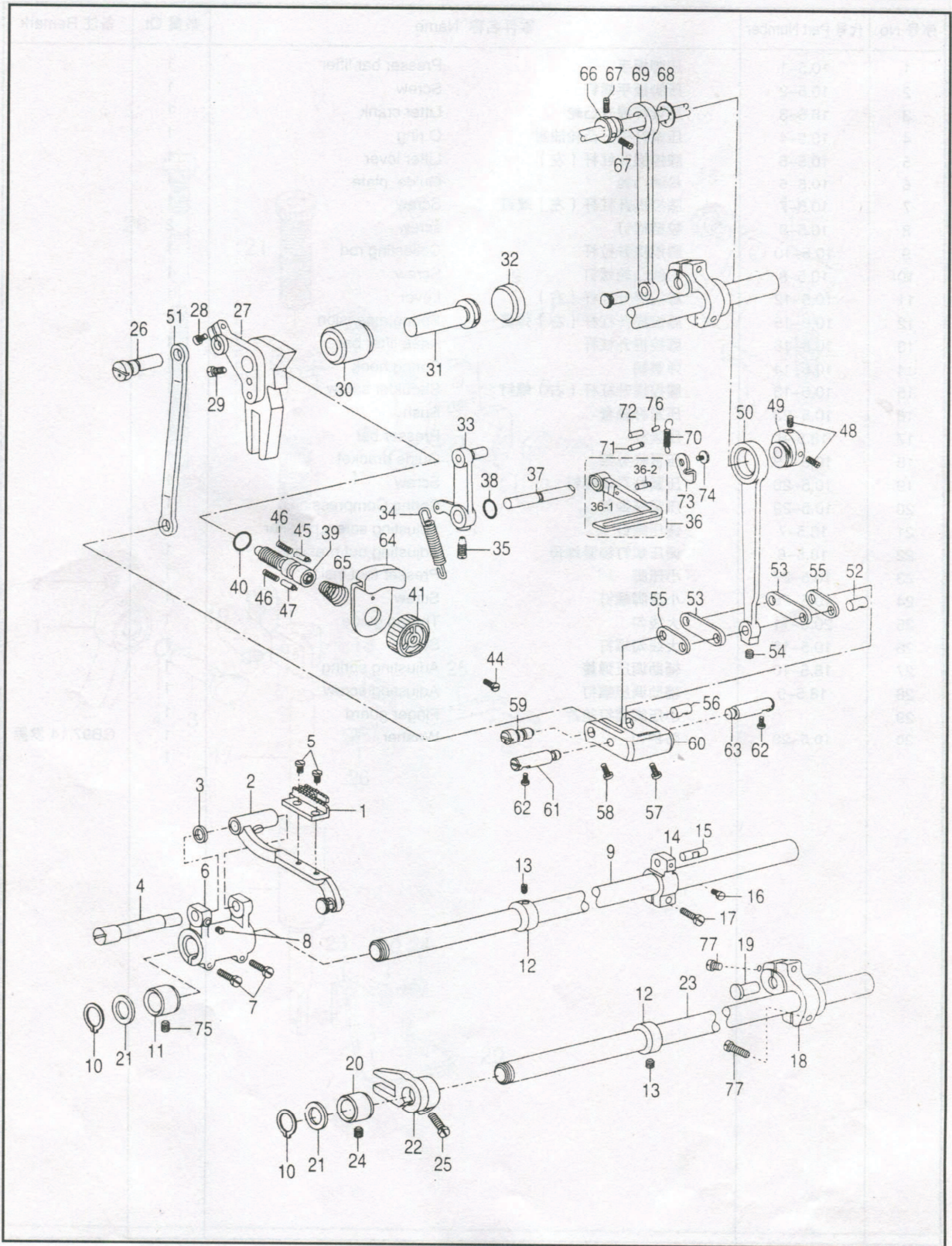
3、压脚部件 Presser foot mechanism



3、压脚部件 Presser foot mechanism

序号 No.	代号 Part Number	零件名称 Name	数量 Qt.	备注 Remark
1	10.5-1	压脚扳手 Presser bar lifter	1	
2	10.5-2	压脚扳手螺钉 Screw	1	
3	18.5-3	压紧杆提升凸轮 Lifter crank	1	
4	10.5-4	压紧杆提升凸轮油封 O ring	1	
5	10.5-6	膝控提升杠杆 (左) Lifter lever	1	
6	10.5-5	松线凸轮 Guide plate	1	
7	10.5-7	膝控提升杠杆 (左) 螺钉 Screw	1	
8	10.5-9	铰链螺钉 screw	1	
9	10.5-10	膝控提升拉杆 Collecting rod	2	
10	10.5-8	松线凸轮螺钉 Screw	1	
11	10.5-12	膝控提升杠杆 (右) Lever	1	
12	10.5-15	膝控提升杠杆 (右) 弹簧 Spring,extension	1	
13	10.5-16	膝控提升杠杆 Knee lifter bar	1	
14	10.5-14	弹簧销 Spring hook	1	
15	10.5-13	膝控提升杠杆 (右) 螺钉 Shoulder screw	1	
16	10.5-23	压紧杆轴套 Bush	1	
17	18.5-6	压紧杆 Presser bar	1	
18	10.5-19	压紧杆导架 Guide bracket	1	
19	10.5-20	压紧杆导架螺钉 Screw	1	
20	10.5-29	压紧杆弹簧 Spring,Compression	1	
21	18.5-7	调压螺钉 Adjusting screw,presser	1	
22	18.5-8	调压螺钉锁紧螺母 Adjusting nut,presser	1	
23	10.5-27	小压脚 Presser foot,inside	1	
24	10.5-26	小压脚螺钉 Screw	1	
25	20.5-11	大线勾 Thread guide	1	
26	10.5-18	大线勾螺钉 Screw	1	
27	18.5-10	辅助调压弹簧 Adjusting spring	1	
28	18.5-9	辅助调压螺钉 Adjusting screw	1	
29		小压脚螺钉垫片 Finger guard	1	
30	10.5-28	防护勾 Washer	1	
			1	GB97.14 发黑

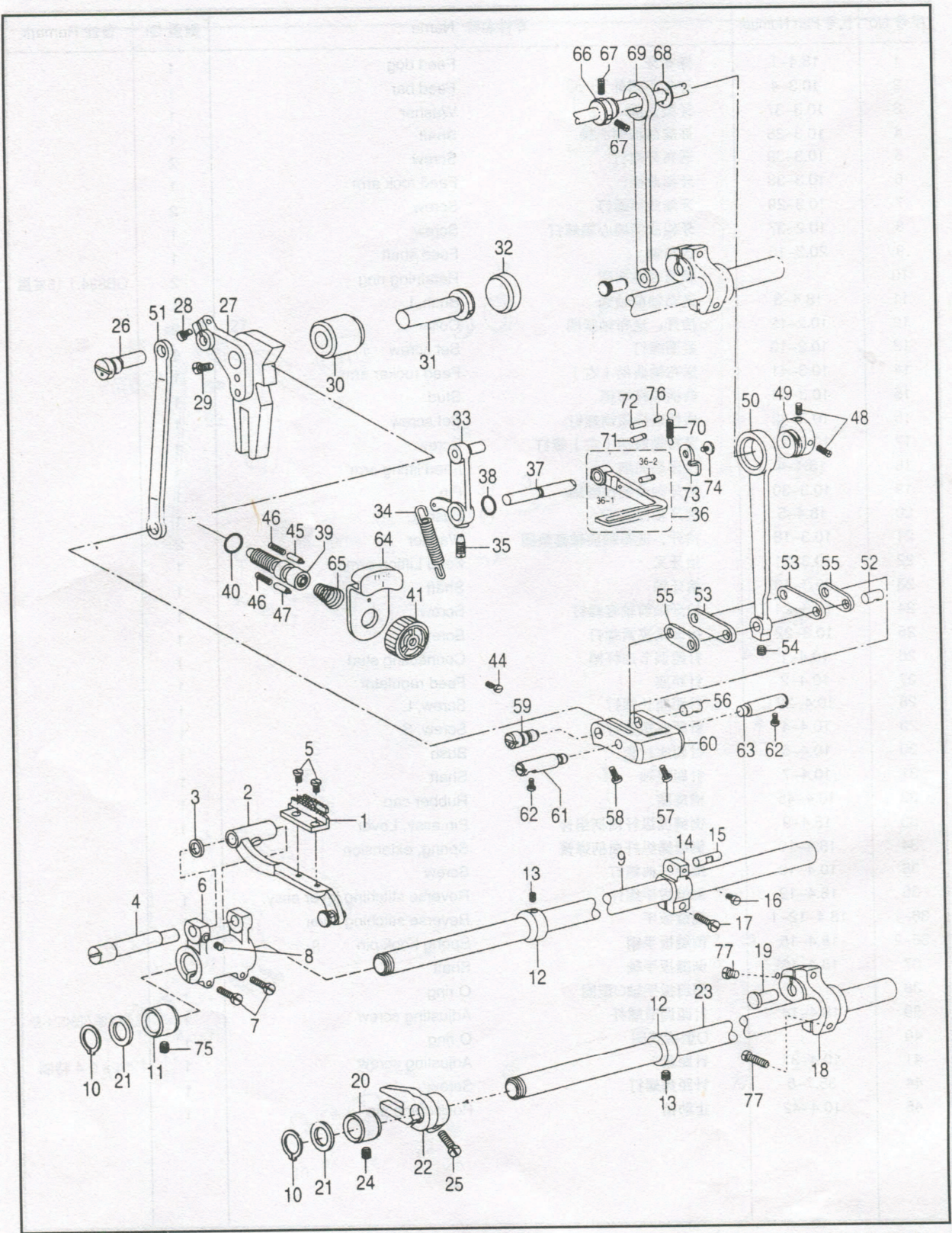
4、送料部件 Feed mechanism



4、送料部件 Feed mechanism

序号 No.	代号 Part Number	零件名称 Name	数量 Qt.	备注 Remark
1	18.4-1	送布牙 Feed dog	1	
2	10.3-4	牙架小组件 Feed bar	1	
3	10.3-37	牙架垫圈 Washer	1	
4	10.3-35	牙架曲柄偏心轴 Shaft	1	
5	10.3-39	送布牙螺钉 Screw	2	
6	10.3-33	牙架曲柄 Feed rock arm	1	
7	10.3-29	牙架曲柄螺钉 Screw	2	
8	10.2-37	牙架曲柄偏心轴螺钉 Screw	1	
9	20.3-16	送布轴 Feed shaft	1	
10		轴用弹性挡圈 Retaining ring	2	GB894.1 15发黑
11	18.4-3	送布轴前轴套 Bush, L	1	
12	10.2-12	拾牙、送布轴紧圈 Collar	2	
13	10.2-13	紧圈螺钉 Set screw	4	
14	10.3-41	送布轴曲柄(右) Feed rocker arm	1	
15	10.3-44	曲柄连杆短销 Stud	1	
16	10.3-42	曲柄连杆短销螺钉 Set screw	1	
17	10.3-22	送布轴曲柄(右)螺钉 Screw	1	
18	18.4-4	拾牙后曲柄 Feed lifting arm	1	
19	10.3-30	拾牙轴曲柄铰链轴 Pin	1	
20	18.4-5	拾牙轴前轴套 Bush, L	1	
21	10.3-18	拾牙、送布轴前轴套垫圈 Washer	2	
22	10.3-21	拾牙叉 Feed Lifting arm	1	
23	20.3-13	拾牙轴 Shaft	1	
24	10.3-24	拾牙轴前轴套螺钉 Screw	1	
25	10.3-22	拾牙叉夹紧螺钉 Screw	1	
26	10.4-1	针距调节连杆销 Connecting stud	1	
27	10.4-2	针距座 Feed regulator	1	
28	10.4-22	针距座长螺钉 Screw, L	1	
29	10.4-4	针距座短螺钉 Screw, S	1	
30	10.4-5	针距座衬套 Bush	1	
31	10.4-7	针距座轴 Shaft	1	
32	10.4-45	橡皮塞 Rubber cap	1	
33	18.4-9	倒缝操纵杆曲柄组件 Pin assy. Lever	1	
34	18.4-10	倒缝操纵杆曲柄弹簧 Spring, extension	1	
35	10.4-13	操纵杆曲柄螺钉 Screw	1	
36	18.4-12	倒缝扳手组件 Reverse stitching lever assy.	1	
36-1	18.4-12-1	倒缝扳手 Reverse stitching lever	1	
36-2	18.4-15	倒缝扳手销 Spring hook pin	1	
37	18.4-13	倒缝扳手轴 Shaft	1	
38		倒缝扳手轴O型圈 O ring	1	
39	18.4-14	针距调节螺杆 Adjusting screw	1	6.3 X 1.8G GB3452.1-92
40		O型橡胶圈 O ring	1	
41	10.4-37	针距盘 Adjusting screw	1	14 x 2.4 特制
44	35.7-5	针距盘螺钉 Screw	1	
45	10.4-42	止动销 Positioning pin	1	

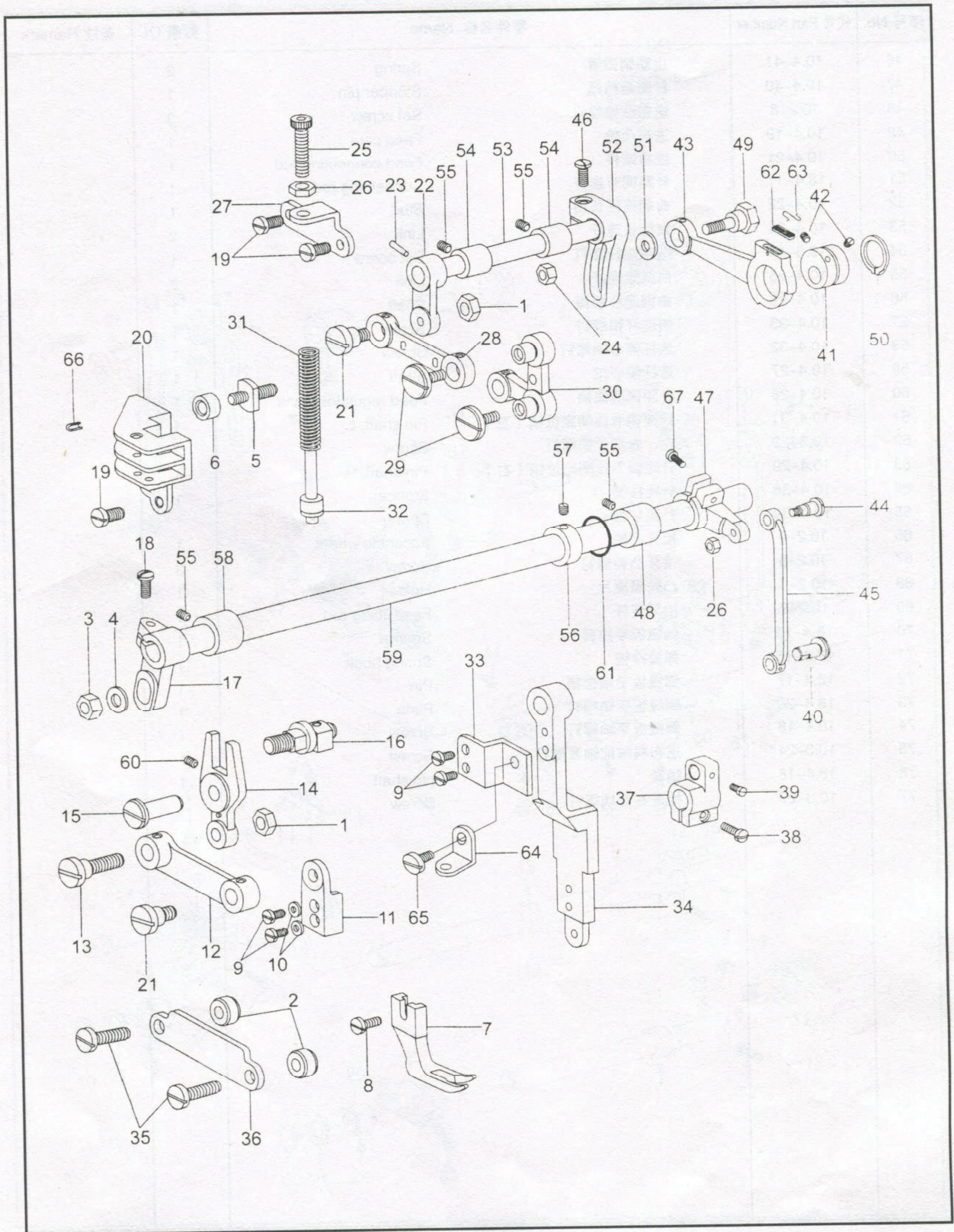
4、送料部件 Feed mechanism



4、送料部件 Feed mechanism

序号 No.	代号 Part Number	零件名称 Name	数量 Qt.	备注 Remark	
46	10.4-41	止动销弹簧	Spring	2	
47	10.4-40	针距盘挡销	Stopper pin	1	
48	10.2-8	送布凸轮螺钉	Set screw	3	
49	10.4-19	送布凸轮	Feed cam	1	
50	10.4-21	送布连杆	Feed connecting rod	1	
51	18.4-11	针距调节连杆	Connecting rod	1	
52	10.4-22	曲柄连杆长销	Stud	1	
53	10.4-24	曲柄长连杆	Link	2	
54	10.3-42	送布连杆螺钉	Set screw	1	
55	10.4-25	曲柄短连杆	Link	2	
56	10.4-26	曲柄连杆短销	Shaft	1	
57	10.4-33	短连杆销螺钉	Screw	1	
58	10.4-32	连杆偏心轴螺钉	Screw	1	
59	10.4-27	连杆偏心轴	Shaft	1	
60	10.4-28	针距调节曲柄	Feed regulator crank	1	
61	10.4-31	针距调节曲柄定位销 (左)	Pin shaft. L	1	
62	10.3-22	左、右定位销螺钉	Screw	2	
63	10.4-29	针距调节曲柄定位销 (右)	Pin shaft. R	1	
64	10.4-38	针距按键	Stopper	1	
65	10.4-39	针距按键簧	Spring	1	
66	10.2-9	抬牙凸轮	Eccentric wheel	1	
67	10.2-8	抬牙凸轮螺钉	Screw	3	
68	10.2-6	凸轮隔离片	Holder	1	
69	10.2-7	抬牙连杆	Feed lifting rod	1	
70	18.4-19	倒缝扳手拉簧	Spring	1	
71	18.4-16	弹簧挂销	Spring hook	1	
72	18.4-17	倒缝扳手限位销	Pin	1	
73	18.4-20	倒缝扳手轴螺钉	Plate	1	
74	10.4-18	倒缝扳手轴螺钉	Screw	1	
75	10.3-24	送布料轴前轴套螺钉	Screw	1	
76	18.4-18	销套	pin shaft	1	
77	10.3-29	抬牙右曲柄螺钉	Screw	1	

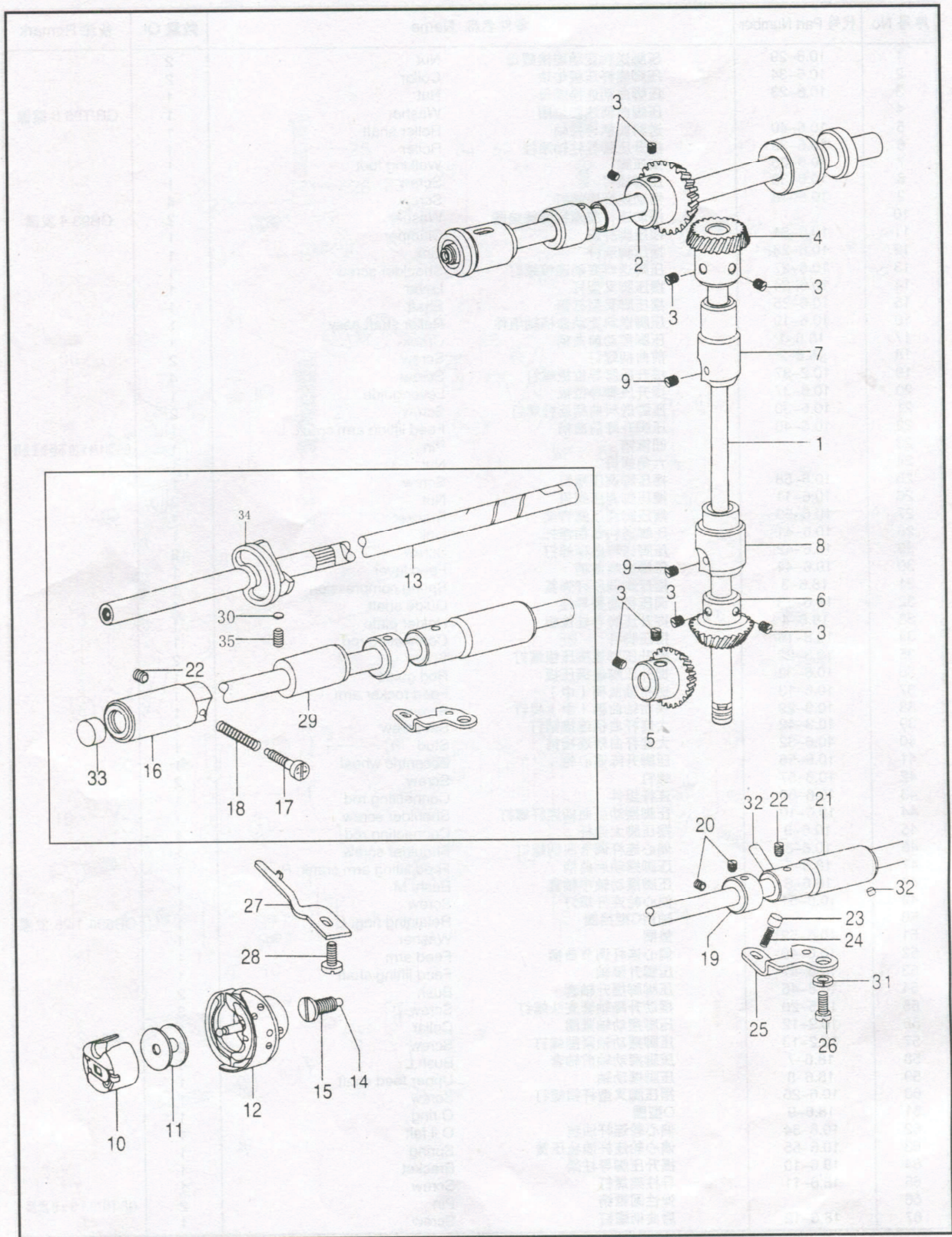
5、上送料部件 Upper feed mechanism



5、上送料部件 Upper feed mechanism

序号 No.	代号 Part Number	零件名称 Name	数量 Qt.	备注 Remark
1	10.6-29	压脚送料变动连接螺母	Nut	
2	10.6-34	压脚连杆压板垫块	Collar	
3	10.6-23	压脚曲柄连接螺母	Nut	
4		压脚曲柄连接垫圈	Washer	
5	10.6-40	送料曲柄导柱轴	Roller shaft	GB/T95 6 镀镍
6	10.6-39	提升压脚导柱轴滚柱	Roller	
7	10.6-35	摆压脚	Walking foot	
8	10.6-36	压脚螺钉	Screw	
9	10.6-18	摆动连杆座螺钉	Screw	
10		摆动连杆座螺钉弹簧垫圈	Washer	
11	10.6-31	摆压脚杆座	Clamper	GB93 4 发黑
12	10.6-28	摆压脚连杆	Link	
13	10.6-27	压脚送料变动连接螺钉	Shoulder screw	
14	10.6-24	摆压脚叉型杆	Lever	
15	10.6-25	摆压脚叉型杆销	Shaft	
16	10.6-19	压脚送料变动曲柄轴组件	Roller shaft assy	
17	18.6-1	压脚摆动前曲柄	Crank	
18	18.6-2	前曲柄螺钉	Screw	
19	10.2-37	提升压脚导位板螺钉	Screw	
20	10.6-37	提升压脚导位板	Lever guide	
21	10.6-30	压脚送料曲柄连杆螺钉	Screw	
22	10.6-45	压脚升降前曲柄	Feed lifting arm crank, L	
23		圆锥销	Pin	
24		六角螺母	Nut	GB/T1174 x 20 不经表面处理
25	10.6-58	摆压脚调压螺钉	Screw	
26	10.6-11	摆压脚调压螺母	Nut	
27	10.6-59	摆压脚调压螺钉架	Bracket	
28	10.6-41	压脚送料曲柄连杆	Link	
29	10.6-42	压脚送料曲柄螺钉	Screw	
30	10.6-44	压脚送料曲柄	Feed lever	
31	18.6-3	摆压脚调压杆弹簧	Spring compression	
32	18.6-13	调压杆弱簧导柱	Guide shaft	
33	18.6-4	提升压脚导柱位板	Holder plate	
34	10.6-16	摆压脚杆	Connecting rod	
35	10.3-22	提升压脚连接压板螺钉	Screw	
36	10.6-32	提升压脚连接压板	Rod guide	
37	10.6-13	送布轴曲柄(中)	Feed rocker arm	
38	10.3-29	送布轴曲柄(中)螺钉	Screw	
39	10.3-42	大连杆曲柄连接销钉	Set screw	
40	40.6-32	大连杆曲柄连接销	Stud	
41	10.6-56	压脚升降偏心轮	Eccentric wheel	
42	10.6-57	螺钉	Screw	
43	10.6-50	连杆组件	Connecting rod	
44	10.6-10	压脚摆动后曲柄连杆螺钉	Shoulder screw	
45	10.6-9	摆压脚大连杆	Connecting rod	
46	10.6-8	偏心连杆调节曲柄螺钉	Shoulder screw	
47	18.6-5	压脚摆动后曲柄	Feed lifting arm crank, R	
48	18.6-6	压脚摆动轴中轴套	Bush, M	
49	10.6-51	偏心轮连杆螺钉	Screw	
50		轴用C型挡圈	Retaining ring, C	
51	10.6-52	垫圈	Washer	GB894.1 25 发黑
52	10.6-49	偏心连杆调节曲柄	Feed arm	
53	10.6-47	压脚升降轴	Feed lifting shaft	
54	10.6-46	压脚脚提升轴套	Bush	
55	10.5-20	摆动升降轴套支头螺钉	Screw	
56	10.2-12	压脚摆动轴紧圈	Collar	
57	10.2-13	压脚摆动轴紧圈螺钉	Screw	
58	18.6-7	压脚摆动轴前轴套	Bush, L	
59	18.6-8	压脚摆动轴	Upper feed shaft	
60	10.6-26	摆压脚叉型杆销螺钉	Screw	
61	18.6-9	O型圈	O ring	
62	10.6-54	偏心轮连杆油毡	O il felt	
63	10.6-55	偏心轮连杆油毡压簧	Spring	
64	18.6-10	提升压脚导柱架	Bracket	
65	18.6-11	导柱架螺钉	Screw	
66		弹性圆锥销	Pin	
67	18.6-12	后曲柄螺钉	Screw	GB/TB79.1 3 x 8 发黑

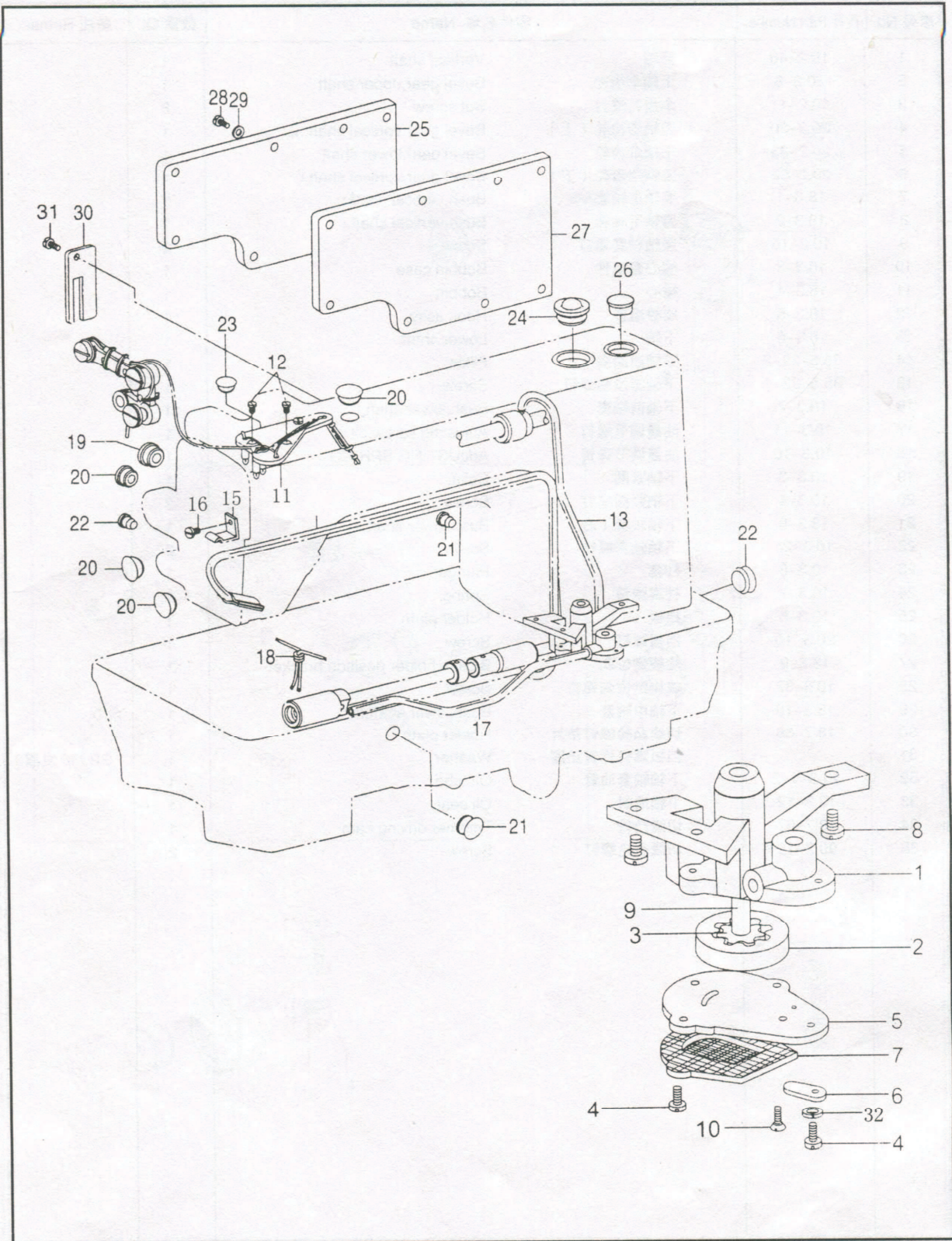
6、旋梭部件 Hook mechanism



6、旋梭部件 Hook mechanism

序号 No.	代号 Part Number	零件名称 Name	数量 Qt.	备注 Remark
1	10.2-48	竖轴 Vertical shaft	1	
2	20.2-8	上轴伞齿轮 Bevel gear,upper shaft	1	
3	10.2-11	伞齿轮螺钉 Set screw	8	
4	20.2-30	竖轴伞齿轮(上) Bevel gear,vertical shatf..u	1	
5	20.2-33	下轴伞齿轮 Bevel gear,lower shaft	1	
6	20.2-32	竖轴伞齿轮(下) Bevel gear,vertical shaft.l	1	
7	18.3-1	竖轴上轴套 Bush,vertical shatf,u	1	
8	18.3-2	竖轴下轴套 Bush,vertical shatf,l	1	
9	10.2-15	竖轴轴套螺钉 Screw	2	
10	18.3-3	梭心套组件 Bobbin case	1	
11	18.3-4	梭心 Bobbin	1	
12	18.3-5	旋梭组件 Hook assy.	1	
13	18.3-6	下轴 Lower shaft	1	
14	35.5-22-2	下轴滤油塞 Filter	1	
15	35.5-22-1	下轴滤没塞螺钉 Screw	1	
16	18.3-7	下轴前轴套 Bush,lower shaft,l	1	
17	10.3-11	油量调节螺钉 Adjusting screw,oil	1	
18	10.3-10	油量调节弹簧 AdJUSTING SPRING	1	
19	10.3-3	下轴紧圈 Collar	1	
20	10.3-4	下轴紧圈螺钉 Screw	2	
21	18.3-8	下轴轴套(右) Bush,lower shaft,r	1	
22	10.3-24	下轴轴套螺钉 Screw	2	
23	10.3-8	柱塞 Plunger	1	
24	10.3-7	柱塞弹簧 Spring	1	
25	10.3-6	挡板 Holder plate	1	
26	20.3-10	挡板螺钉 Screw	1	
27	18.3-9	旋梭定位勾 B/case holder position bracket	1	
28	10.3-32	旋梭定位勾螺钉 Screw	1	
29	18.3-10	下轴中轴套 Bush,lower shatf,m	1	
30	18.7-66	切线凸轮螺钉垫片 Holder plate	1	
31		挡板螺钉弹簧垫圈 Washer	1	GB936 发黑
32	10.3-1-2	下轴轴套油管 Oil tube	1	
33	18.3-12	下轴油封 Oil seal	1	
34	18.7-67	切线凸轮 Trimmer driving cam	1	
35	90.2-16	切线凸轮螺钉 Screw	2	

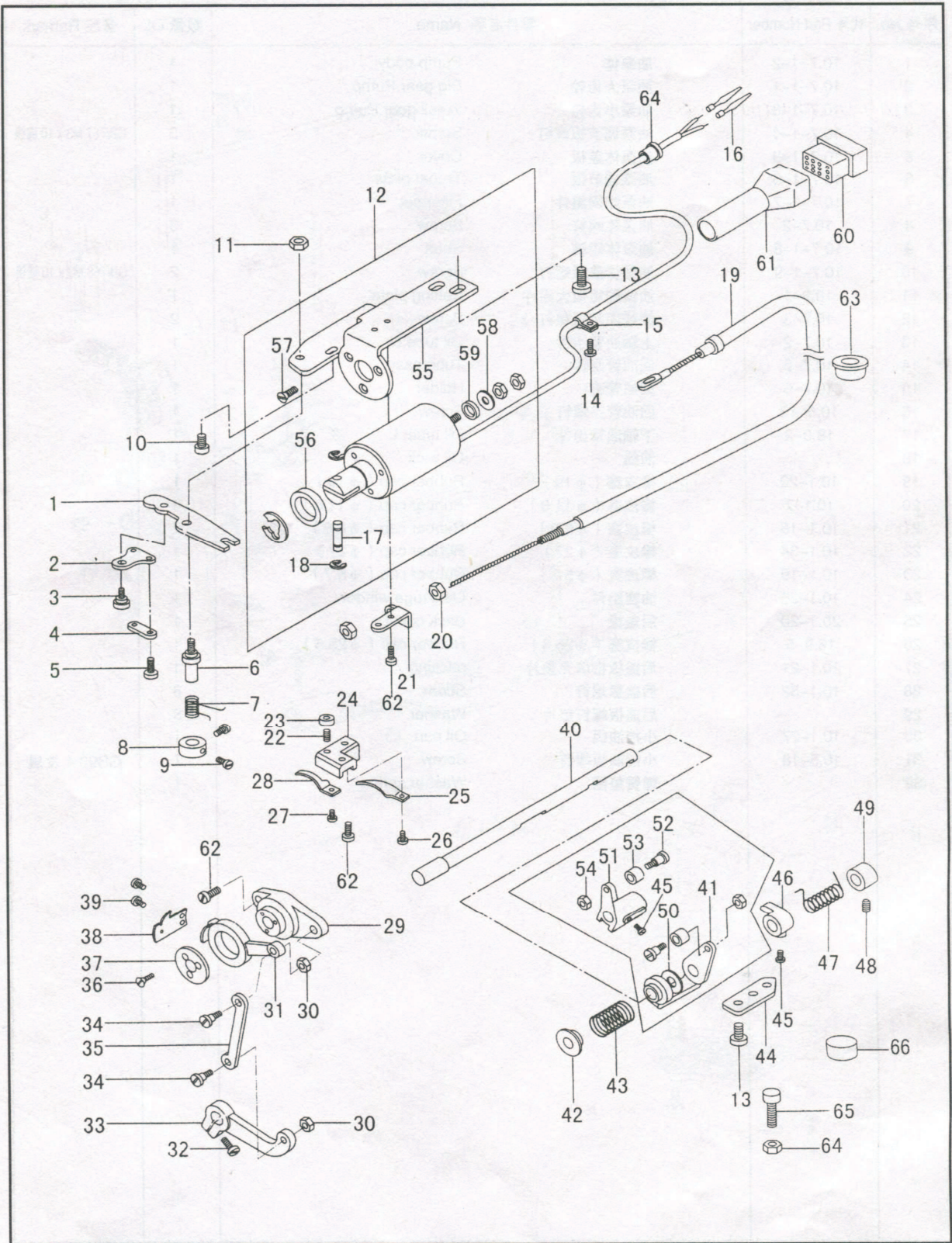
7、供油润滑部件 Lubrication mechanism



7、供油润滑部件 Lubrication mechanism

序号 No.	代号 Part Number	零件名称 Name	数量 Qt.	备注 Remark
1	10.7-1-2	油泵体 Pump body	1	
2	10.7-1-1	油泵大齿轮 Big gear.Pump	1	
3	10.7-1-3	油泵小齿轮 Small gear.Pump	1	
4	10.7-1-4	油泵调节板螺钉 Screw	3	GB/T67 M3 x 10 镀锌
5	10.7-1-5	油泵体盖板 Cover	1	
6	10.7-1-6	油泵调节板 Throat plate	1	
7	10.7-1-7	油泵滤网组件 Filter set	1	
8	10.7-2	油泵体螺钉 Screw	3	
9	10.7-1-8	油泵体短轴 Shaft	1	
10	10.7-1-9	油泵体盖板螺钉 Screw	2	GB/T68 M3 x 10 镀锌
11	18.9-1	油线固定板大组件 Setting plate	1	
12	10.7-3	油线固定板螺钉 Screw	2	
13	10.7-2	上轴油管组件 Oil tube.U	1	
14	10.7-6	回油管组件 Tube assy.	1	
15	10.7-5	回油管夹 Holder	1	
16	10.5-18	回油管夹螺钉 Screw	1	
17	18.9-2	下轴油管组件 Oil tube, L	1	
18		油线 Oil wick	1	
19	10.1-22	橡皮塞 (φ 19) Rubber cap (φ 19)	1	
20	10.1-7	橡皮塞 (φ 11.8) Rubber cap (φ 11.8)	4	
21	10.1-18	橡皮塞 (φ 8.8) Rubber cap (φ 8.8)	2	
22	10.1-34	橡皮塞 (φ 27) Rubber cap (φ 27)	1	
23	10.1-19	橡皮塞 (φ 5.7) Rubber cap (φ 5.7)	1	
24	10.1-25	油塞组件 Oil gauge window	1	
25	20.1-20	后盖板 Back cover	1	
26	18.9-5	橡皮塞 (φ 25.5) Rubber cap (φ 25.5)	1	
27	20.1-21	后盖板密填充垫片 packing	1	
28	10.1-32	后盖板螺钉 Screw	8	
29		后盖板螺钉垫片 Washer	8	
30	10.1-27	小挡油板 Oil pan	1	
31	10.5-18	小挡油板螺钉 Screw	1	GB93 4 发黑
32		弹簧垫圈 Washer,spring	1	

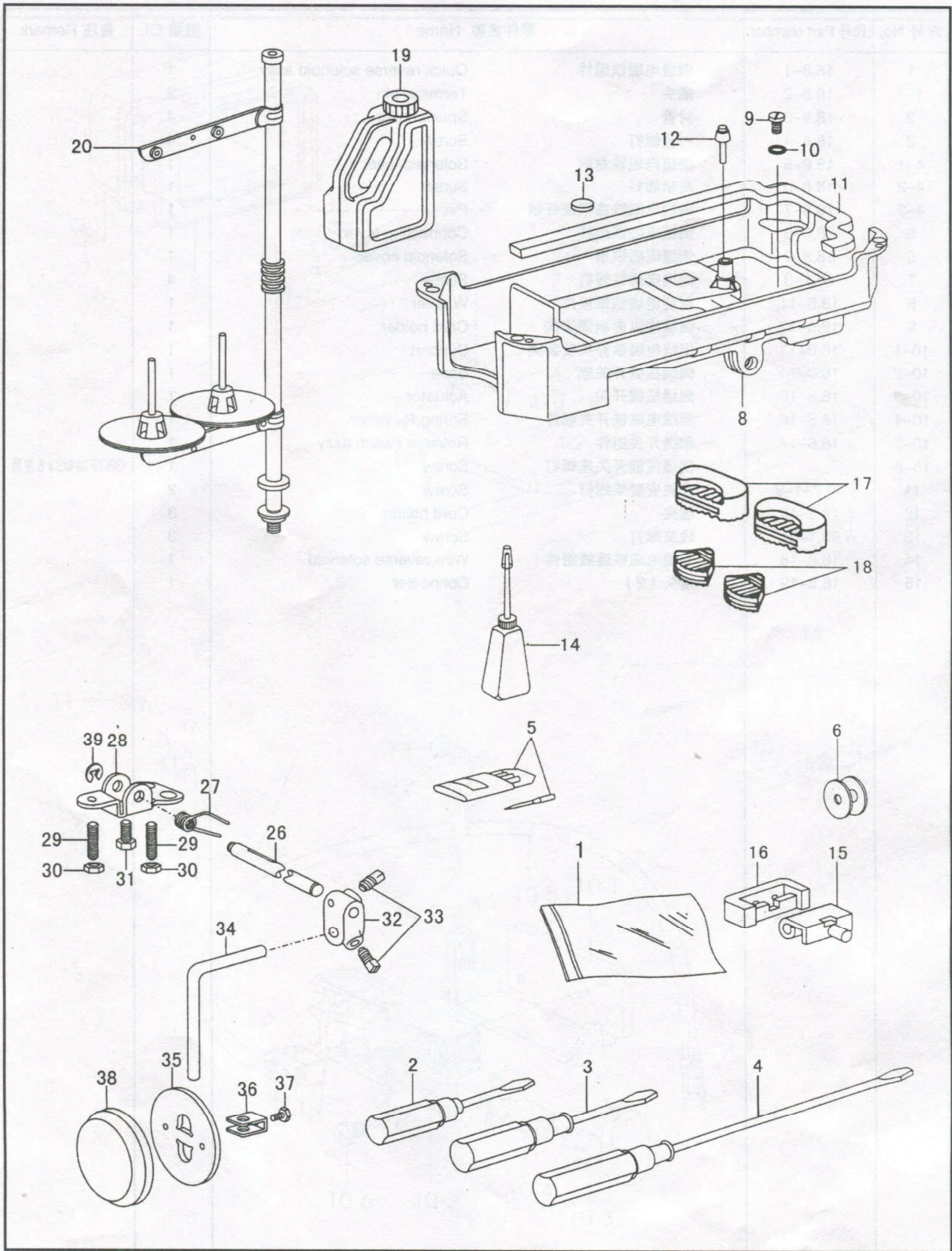
8、剪线部件 Thread trimming mechanism



8、剪线部件 Thread trimming mechanism

序号 No.	代号 Part Number	零件名称 Name	数量 Qt.	备注 Remark
1	18.7-1	驱动板	Driven plate	1
2	18.7-2	软线支撑板	Wire support	1
3	18.7-3	软线支撑板螺钉	Screw	1
4	18.7-4	软线连板	Link	1
5	18.7-5	软线连板螺钉	Screw	1
6	18.7-6	驱动板轴	Screw pin, driven plate	1
7	18.7-7	驱动板弹簧	Spring	1
8	18.7-8	驱动板轴紧圈	Collar	1
9	10.4-32	驱动板轴紧圈螺钉	Screw	2
10	10.3-32	安装架连接螺钉	Screw	1
11	40.5-36	驱动轴螺母	Nut	1
12	18.7-12	剪线电磁铁转动组件	Thread trimmer solenoid assy.	1
13	43.1-17	安装架固定螺钉	Screw	4
14	90.10-11	线夹螺钉	Screw	1
15	18.7-15	线夹	Wire holder	1
16	18.7-16	插头接头	Terminal pin	2
17	18.7-17	剪线电磁铁销	Pin	1
18	60080029	挡圈	Retaining ring	2
19	18.7-19	松线钢绳组件	Tension release wire	1
20	22.4-11	软线螺母	Nut	2
21	18.7-21	软线座	Tension release lever	1
22	18.7-22	定刀座螺钉	Screw	1
23	18.7-23	定刀座螺母	Nut	1
24	18.7-24	定刀座	Holder, F-knife	1
25	18.7-25	栏线板	Lower thread finger	1
26	90.1-31	栏线板螺钉	Screw	1
27	22.8-22	定刀片螺钉	Screw	1
28	18.7-28	定刀片	Fixed knife	1
29	18.7-29	刀架	Holder, M-knife	1
30	18.7-30	刀轴连杆螺母	Nut	2
31	18.7-31	刀架(左)	Holder, M-knife, L	1
32	18.7-32	驱动曲柄螺钉	Screw	1
33	18.7-33	剪线电磁铁驱动曲柄	Driven crank	1
34	18.7-34	刀架连杆螺钉	Screw	2
35	18.7-35	刀架连杆	Link	1
36	18.7-36	刀架螺钉	Screw	3
37	18.7-37	刀架垫圈	Washer	1
38	18.7-38	动刀片	Movable knife	1
39	22.8-29	动刀片紧固螺钉	Screw	2
40	18.7-40	凸轮曲柄轴	Thread trimmer cam lever shaft	1
41	18.7-41	切线凸轮右曲柄	Thread trimmer cam lever R	1
42	18.7-42	扭簧端盖	Collar	1
43	18.7-43	扭簧	Spring	1
44	18.7-44	止动板	Stopper plate	1
45	90.5-42	限位块螺钉	Screw	3
46	18.7-46	限位块	Positioning block	1
47	18.7-47	凸轮轴扭簧	Spring	1
48	90.2-5	紧圈螺钉	Screw	2
49	18.7-49	凸轮轴紧圈	Collar	1
50	18.7-50	塑料圈	Plastic ring	1
51	18.7-51	切线凸轮左曲柄	Thread trimmer cam lever, L	1
52	18.7-52	滚轮螺钉	Screw	2
53	18.7-53	滚轮	Roller	2
54	18.7-54	滚轮螺母	Nut	2
55	18.7-55	剪线电磁铁安装架	Thread trimmer solenoid base	1
56	18.7-59	密封垫圈(大)	Seal washer, big	1
57	50030001	剪线电磁铁紧固螺钉	Screw	3
58	18.7-58	平垫片	Washer	1
59	18.7-56	密封垫圈(小)	Seal washer, small	1
60	18.7-60	插头套	Connector	1
61	18.7-61	线罩	Cover	1
62	18.7-32	螺钉	Screw	4
63	18.7-63	剪线电磁铁电线保护套	Guard	1
64	18.7-64	螺母	Nut	1
65	18.7-65	止动螺钉	Screw	1
66	18.7-66	缓冲垫	Packing	1

10、附件 Accessories for model



10、附件 Accessories for model

序号 No.	代号 Part Number	零件名称 Name	数量 Qt.	备注 Remark	
1	30.8-11	零件袋	Accessory bag	1	
2	10.8-31	一字开刀 (小)	Screw driver,S	1	
3	10.8-30	一字开刀 (中)	Screw driver,M	1	
4	10.8-29	一字开刀 (大)	Screw driver,L	1	
5	10.2-45	机针	Needle	4	DP X17 23#
6	18.3-4	梭芯	Bobbin	3	
8	10.8-1	油盘	Oil pan	1	
9	10.8-2	放油螺钉	Screw	1	
10	10.8-3	放油螺钉垫圈	Washer	1	
11	10.8-4	油盘垫	Pad	1	
12	10.8-11	膝控提升顶杆	Bar	1	
13	10.8-21	磁块	Magnet	1	
14	10.8-22	油壶	Oil pot	1	
15		机壳铰链	Head hinge	2	
16	10.8-25	机壳铰链套	Cushion,head hinge	2	
17	10.8-26	机头防震垫块 (大)	Head cushion,L	2	
18	10.8-23	机头防震垫块 (小)	Head cushion,S	2	
19	10.8-24	油箱	Oil tank	1	
20	20.8-7	线架组件	Thread stand assy.	1	
21	20.8-6				
26	10.8-5	膝控铰链轴	Lifter shaft	1	
27	10.8-6	膝控复位弹簧	Spring	1	
28	10.8-7	膝控限位架	Bracket	1	
29	10.8-8	膝控限位调节螺钉	A djusting screw	2	
30	10.8-9	调节螺母	A djusting nut	2	
31	10.8-10	膝控限位架螺钉	Screw	1	
32	30.7-15	碰块弯杆接头	Bracket	1	
33	30.7-17	碰块弯杆接头螺钉	Screw	各1	GB/T5781 M8 x 12 M8 x 20 镀锌
34	10.8-14	膝控碰块弯杆	Lifter bar	1	
35	10.8-15	膝控碰块	Knee lifter plate	1	
36	10.8-16	碰城架	Stopper	1	
37	10.8-17	碰块架螺钉	Screw	1	
38	10.8-18	碰块垫	Cover,K-lifter Plate	1	
39		开口挡圈	Retaining ring	1	GB896 9 发黑



ZOJE

中捷

中国·中捷缝纫机股份有限公司
ZOJE SEWING MACHINE CO., LTD.

地址：浙江玉环大麦屿开发区

ADD: DAMAIYU ZONE, YUHUAN, ZHEJIANG, 317604 CHINA

免费咨询电话: TEL: 800-857-6715