

# 零件手册

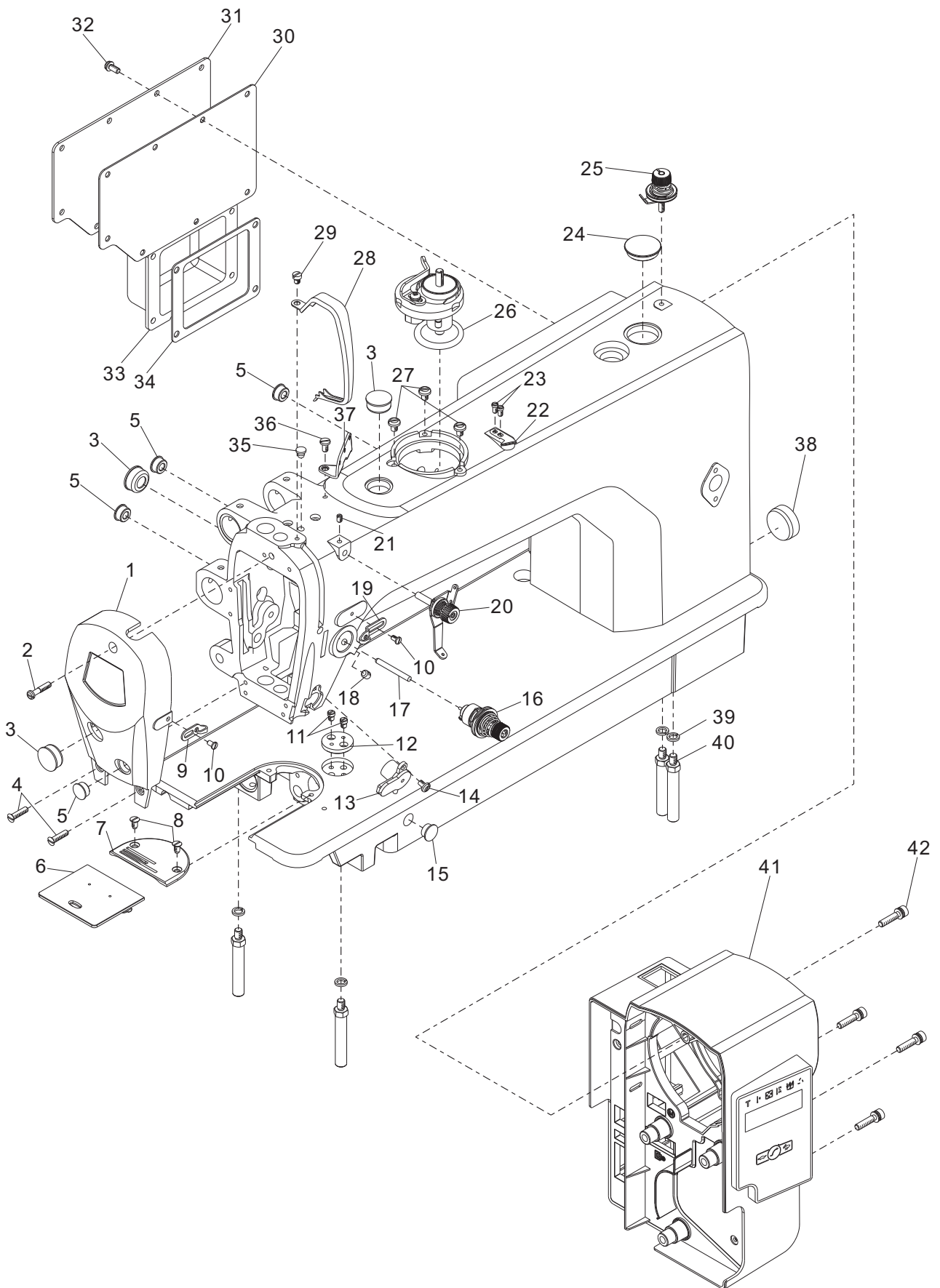
## PARTS BOOK

### 目录

### CONTENTS

一	机壳部件 Casting Mechanism	25
二	针杆、挑线部件 Needle Bar & Thread Take-up Mechanism	27
三	压脚部件 Presser Foot Mechanism	29
四	送料部件 Feed Mechanism	31
五	上送料部件 Upper Feed Mechanism	35
六	旋梭部件 Hook Mechanism	39
七	供油润滑部件 Lubrication Mechanism	41
八	剪线部件 Thread Trimming Mechanism	43
九	倒缝部件 Peverse Stitching Mechanism	45
十	附件 Accessories For Model	47

机壳部件  
Casting Mechanism



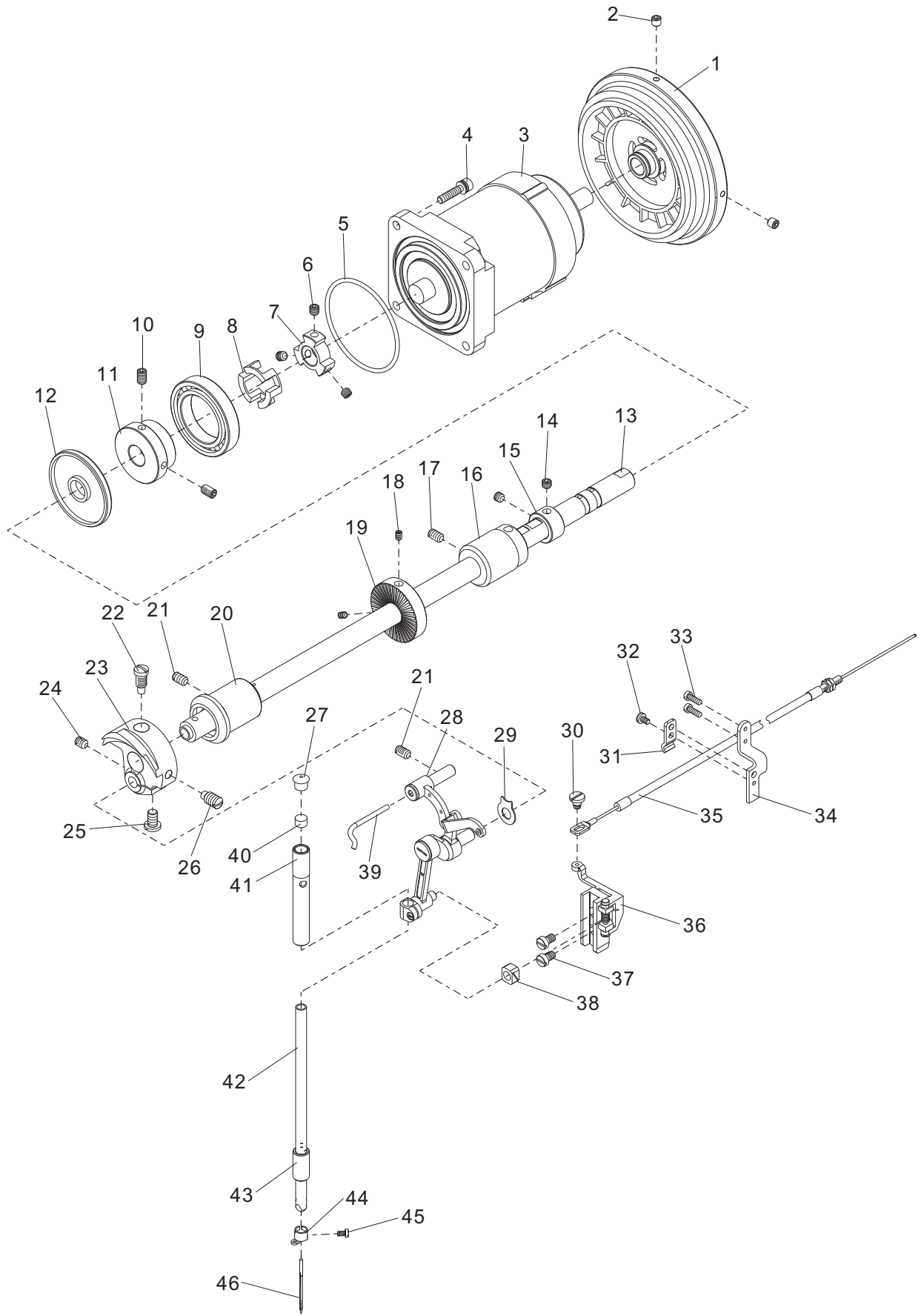
机壳部件  
Casting Mechanism

序号 Ref. No.	件号 Part No.	名称	Name of part	数量 QTY	备注 Remark
1	20017920	面板	Face plate	1	
2	10043309	面板螺钉	Screw	1	
3	10043315	面板橡皮塞	Rubber plug	3	
4	10048790	面板螺钉	Screw	2	
5	10013171	橡胶塞	Rubber plug	4	
6	10043597	推板组件	Slid plate assy.	1	
7	10043304	针板	Needle plate	1	
8	10043305	针板螺钉	Screw	2	
9	10043283	面板线钩	Thread guide	1	
10	10043312	线钩螺钉	Screw	2	
11	10004374	SM11/64"×40螺钉	Screw SM11/64"×40	2	
12	10004373	限位挡片	Scale base plate	1	
13	10051583	电子夹线器	Bobbin thread tension ASM.	1	
14	10005204	M4×6螺钉	Screw M4×6	1	
15	10049739	橡胶塞	Rubber plug	1	
16	10051110	夹线器组件	Thread tension bracket assy.	1	
17	10046133	挺线钉	Tension release pin	1	
18	10043469	夹线调节座固定螺钉	Set screw	1	
19	10043594	线钩	Thread guide	1	
20	10046109	上夹线器部件组件	Bobbin thread tension ASM.	1	
21	10043595	小夹线固定螺钉	Set screw	1	
22	10011149	绕线切刀	Knife	1	
23	10050423	SM9/64"×40螺钉	Screw SM9/64"×40	2	
24	10045754	橡胶塞	Rubber plug	1	
25	10034382	绕线夹线器组件	Bobbin thread tension	1	
26	10031086	绕线器	Bobbin winder	1	
27	10004380	SM3/16"×32螺钉	Screw SM3/16"×32	3	
28	20015664	挑线杆护罩	Thread take-up lever cover	1	
29	10043314	挑线杆护罩螺钉	Screw	1	
30	10051344	后窗板垫	Side plate gasket	1	
31	20017919	后窗板	Side plate	1	
32	10043325	后盖板螺钉组件	Screw	12	
33	20016032	倒缝电磁铁罩	Solenoid cover	1	
34	10046248	倒缝电磁铁罩垫片	Washer	1	
35	10043311	橡胶塞	Rubber plug	1	
36	10043317	三孔线钩螺钉	Screw	1	
37	10043316	三孔线钩	Three-hole thread retainer	1	
38	10043588	橡皮塞(Φ27)	Rubber plug(Φ27)	1	
39	10003077	6垫圈	Washer	4	
40	10008830	底板支柱	Screw stud	4	
41	*	一体机电控	Electronics control ASM.	1	
42	10006157	螺钉组件	Screw	4	

“\*” 具体内容需向客服咨询

针杆、挑线分组件

Needle Bar & Thread Take-up Mechanism



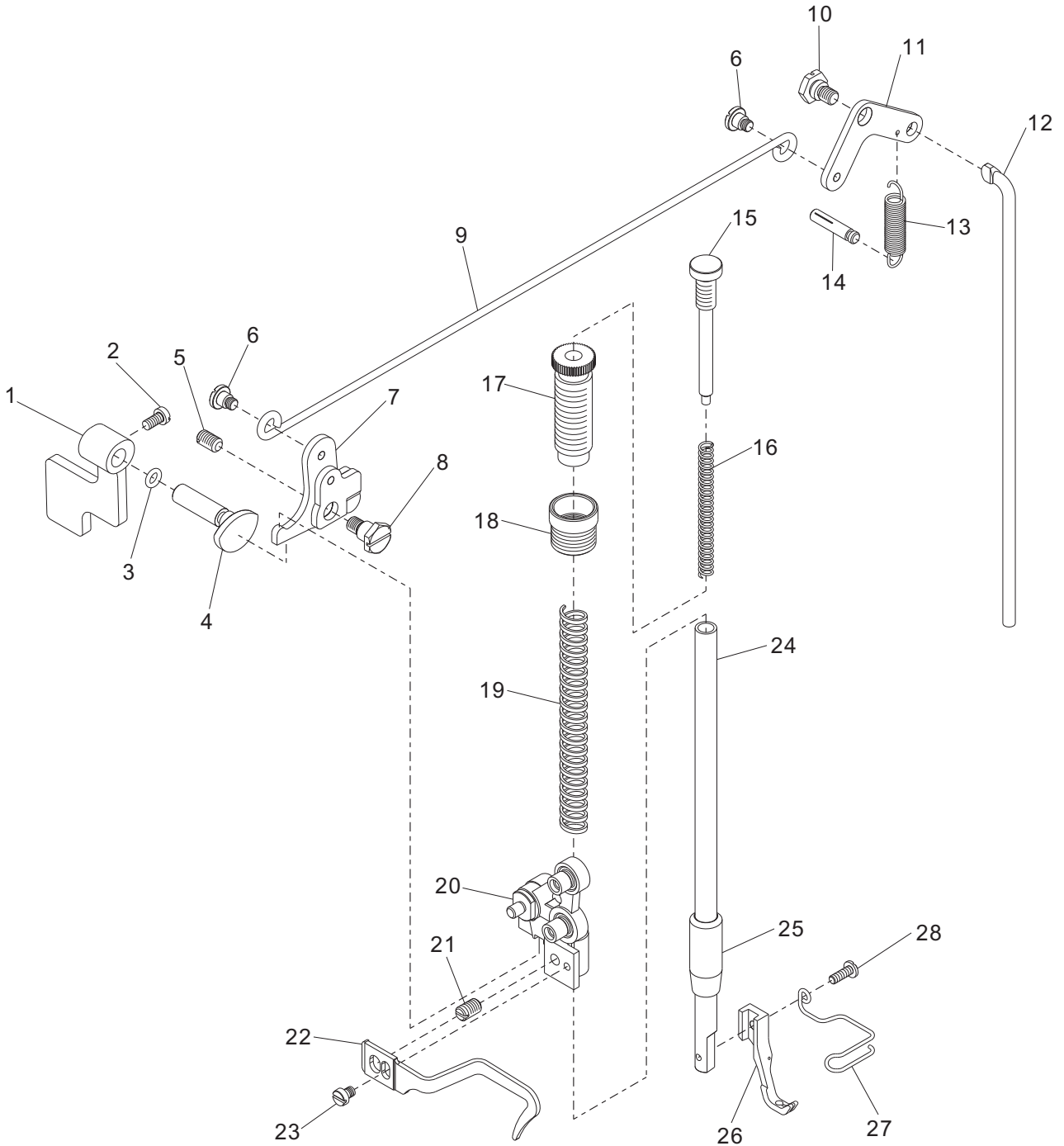
## 针杆、挑线分组件

## Needle Bar &amp; Thread Take-up Mechanism

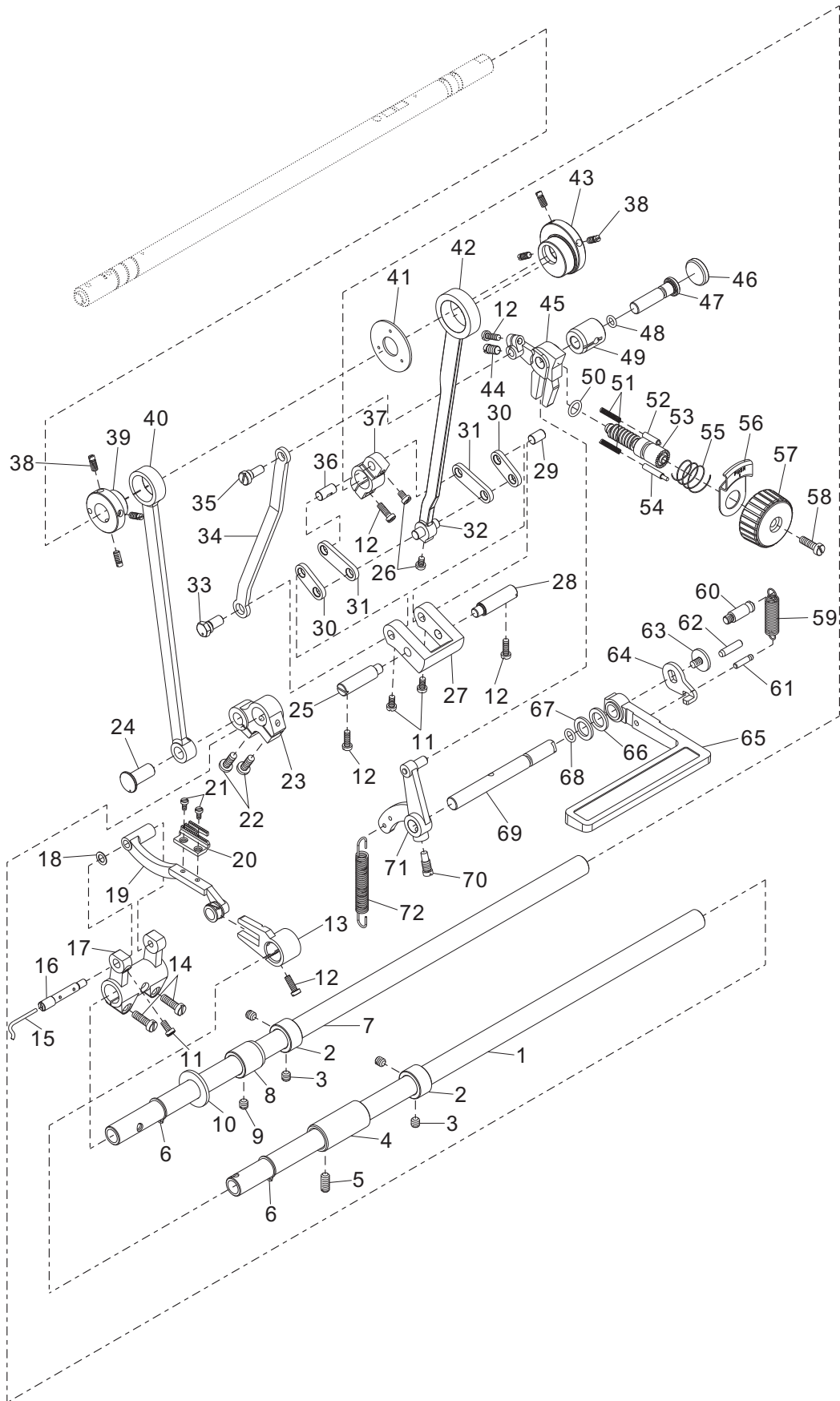
序号 Ref. No.	件号 Part No.	名称	Name of part	数量 QTY	备注 Remark
1	20016030	上轮	Hand wheel	1	
2	10011232	下轴前衬套螺钉	Screw	2	
3	10051093	同步车一体机电机	Motor	1	
4	10006157	螺钉组件	Screw	4	
5	10003796	O形圈	O ring	1	
6	10011232	螺钉M6×6	Screw M6×6	3	
7	10008908	联轴器	Coupling ASM.	1	
8	10008909	联轴器橡胶圈	Washer	1	
9	10024755	6907ZZ-B0M轴承	Bush.R	1	
10	10012161	螺钉M6×0.75×10	Screw M6×0.75×10	2	
11	10046144	上轴联轴器	Connector	1	
12	10008803	油封	Oil seal	1	
13	10051146	上轴	Pper shaft	1	
14	10012162	螺钉M5×5	Screw M5×5	2	
15	10051603	上轴挡圈	Collar	1	
16	10043332	上轴中轴套	Bush.M	1	
17	10043398	上轴轴套螺钉	Screw	1	
18	10045042	绕线器主动轮螺钉	Screw	2	
19	10045041	绕线器主动轮	Screw SM9/32"×28	1	
20	10043335	上轴前轴套	Bush.L	1	
21	10043469	夹线调节座固定螺钉	Screw	2	
22	10043337	针杆曲柄定位螺钉	Screw	1	
23	10043341	针杆曲柄	Thread take-up crank	1	
24	10043329	伞齿轮螺钉	Screw	1	
25	10043340	挑线曲柄螺钉	Screw	1	
26	10043339	针杆曲柄螺钉	Screw	1	
27	10010587	橡胶塞	Rubber cap	1	
28	10049432	挑线机构	Thread take-up lever set	1	
29	10043357	垫片	Washer	1	
30	10046141	铰链螺钉	Screw	1	
31	10046135	松线压板	Wire holder.D	1	
32	10046149	软线固定板螺钉	Screw	1	
33	10043556	油线固定板螺钉	Screw	2	
34	10046150	松线钢绳固定架	Wire holder.U	1	
35	10051112	松线钢绳组件	Tension release wire	1	
36	10050045	针杆接头滑块导轨组件	Needle bar slider guide rail assembly	1	
37	10043360	针杆接头滑块导轨螺钉	Screw	2	
38	10043358	针杆接头滑块	Slider block	1	
39	10008062	油线	Oil wick	1	
40	10043375	毛毡	Felt	1	
41	10043362	针杆上轴套	Bush.U	1	
42	10051161	针杆	Needle bar	1	
43	10043365	针杆下轴套	Bush.D	1	
44	10005945	针杆线钩	Thread guide	1	
45	10043367	夹针螺钉	Screw	1	
46	10003638	Dp×17 23#风琴机针	Needle Dp×17 23#	1	

“\*” 具体内容需向客服咨询

压脚部件  
Presser Foot Mechanism





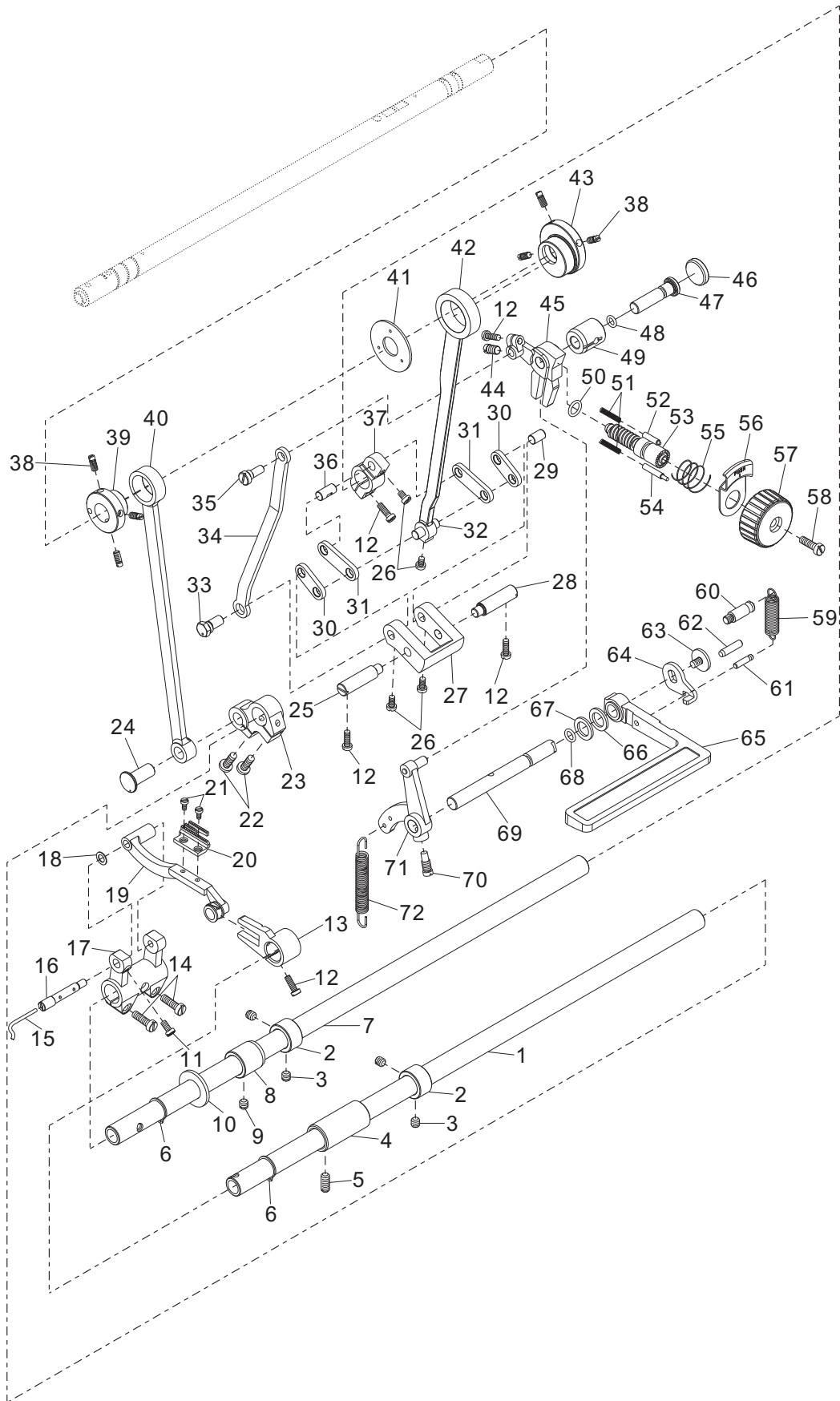




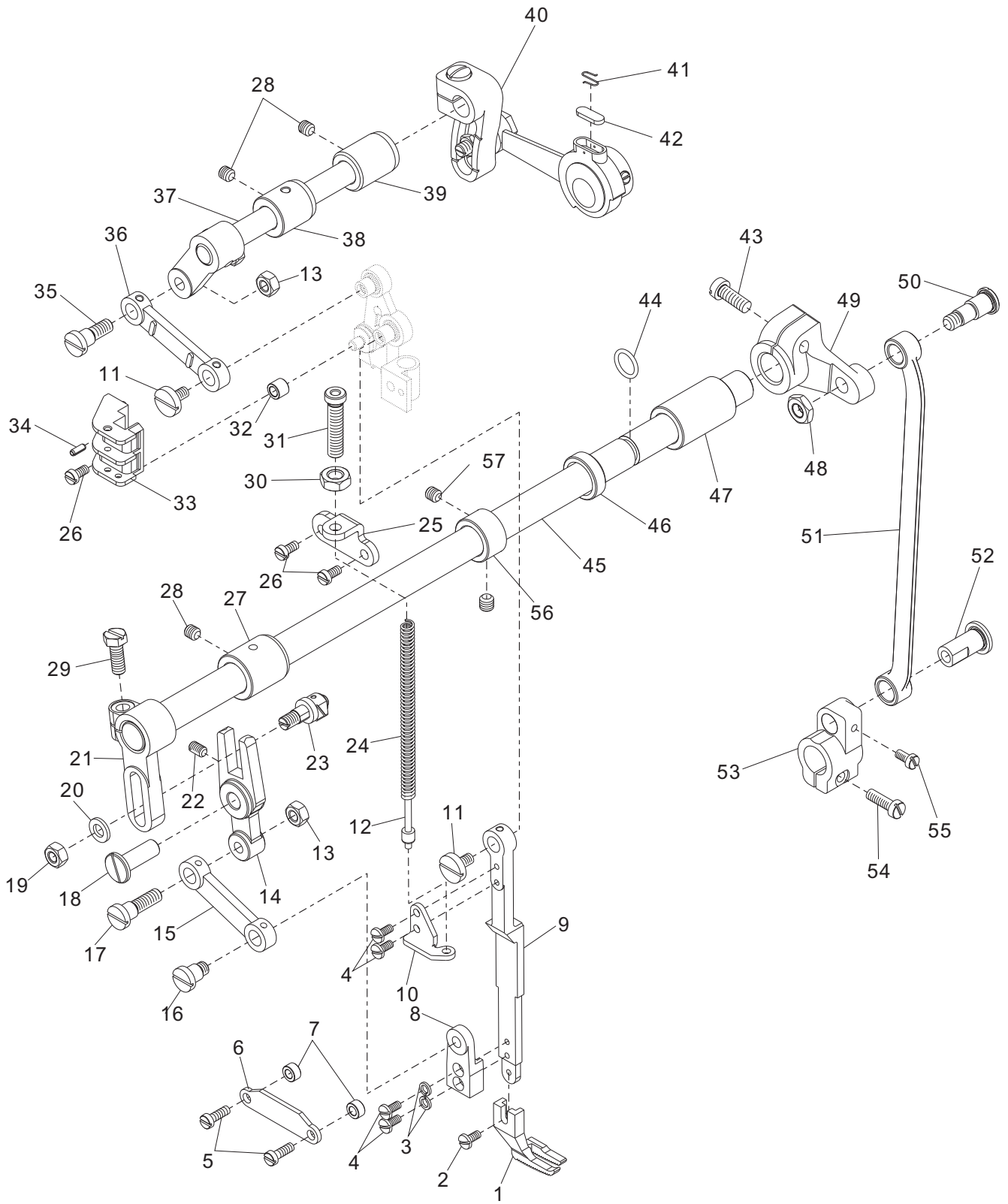
## 四

送料部件  
Feed Mechanism

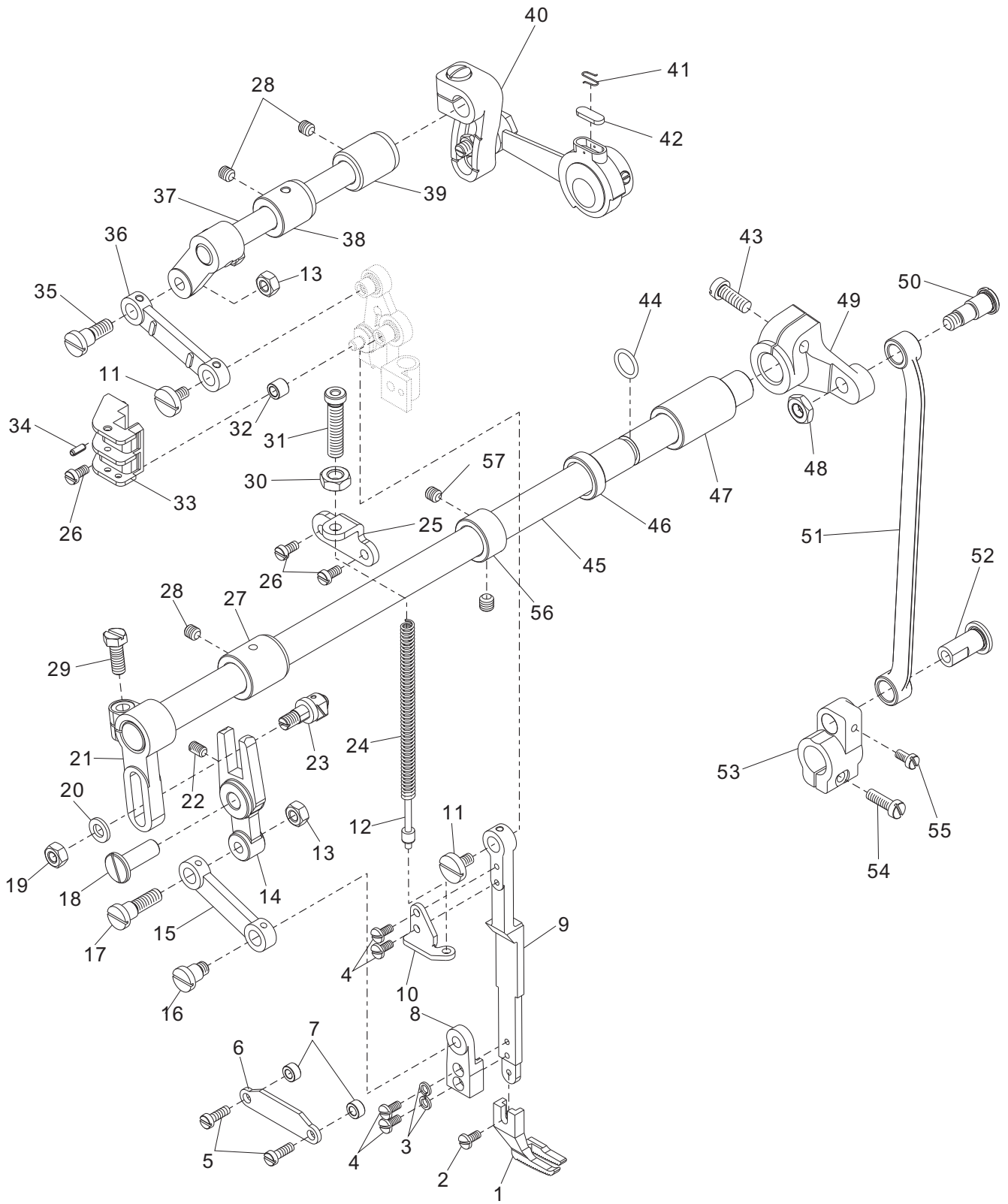
序号 Ref. No.	件号 Part No.	名称	Name of part	数量 QTY	备注 Remark
1	10051151	拾牙轴	Shaft	1	
2	10043330	上轴紧圈	Collar	2	
3	10043331	上轴紧圈螺钉	Screw	4	
4	10044997	轴套	Bush	1	
5	10043398	上轴轴套螺钉	Screw	1	
6	10003290	15挡圈	Retaining ring 15	2	
7	10051149	送料轴	Feed shaft	1	
8	10044998	轴套	Bush	1	
9	10043412	下轴紧圈螺钉	Screw	1	
10	10043393	拾牙轴前轴套垫圈	Washer	1	
11	10043360	针杆接头滑块导轨螺钉	Screw	3	
12	10043396	拾牙叉夹紧螺钉	Screw	5	
13	10043395	拾牙叉	Feed lifting arm	1	
14	10043401	曲柄螺钉	Screw	2	
15	10008067	φ2油线	Oil wick φ2	1	
16	10043407	牙架曲柄偏心轴	Shaft	1	
17	10043406	牙架曲柄	Feed rock arm	1	
18	10043409	牙架垫圈	Washer	1	
19	10043383	牙架组件	Feed bar	1	
20	10043410	送布牙	Feed dog	1	
21	10043411	送布牙螺钉	Screw	2	
22	10046263	曲柄螺钉	Screw	2	
23	10046170	拾牙后曲柄	Feed lifting arm	1	
24	10043403	拾牙轴曲柄铰链轴	Pin	1	
25	10051102	针距调节曲柄左定位销	Pin shaft.L	1	
26	10043415	曲柄连杆短销螺钉	Set screw	2	
27	10051163	针距调节曲柄	Feed regulator crank	1	
28	10043438	针距调节曲柄定位销(右)	Pin shaft.R	1	
29	10043435	曲柄连杆销	Shaft	1	
30	10043434	曲柄短连杆	Link	2	
31	10043433	曲柄长连杆	Link	2	
32	10043432	曲柄连杆长销	Stud	1	
33	10051145	连杆偏心轴	Shaft	1	
34	10051162	针距调节连杆	Connecting rod	1	
35	10043421	针距调节连杆销钉	Connecting stud	1	
36	10043416	曲柄连杆短销	Stud	1	
37	10043414	送布轴曲柄(右)	Feed rocker arm	1	
38	10043378	拾牙凸轮螺钉	Screw	6	
39	10043379	拾牙凸轮	Eccentric wheel	1	
40	10051150	拾牙连杆	Feed lifting rod	1	
41	10043376	凸轮隔离片	Holder	1	
42	10051148	送布连杆	Feed connecting rod	1	
43	10043429	送布凸轮	Feed cam	1	
44	10043445	针距座短螺钉	Screw.S	1	
45	10046168	针距座	Feed regulator	1	
46	10043451	橡皮塞(φ20)	Rubber cap	1	
47	10043453	针距座轴	Shaft	1	







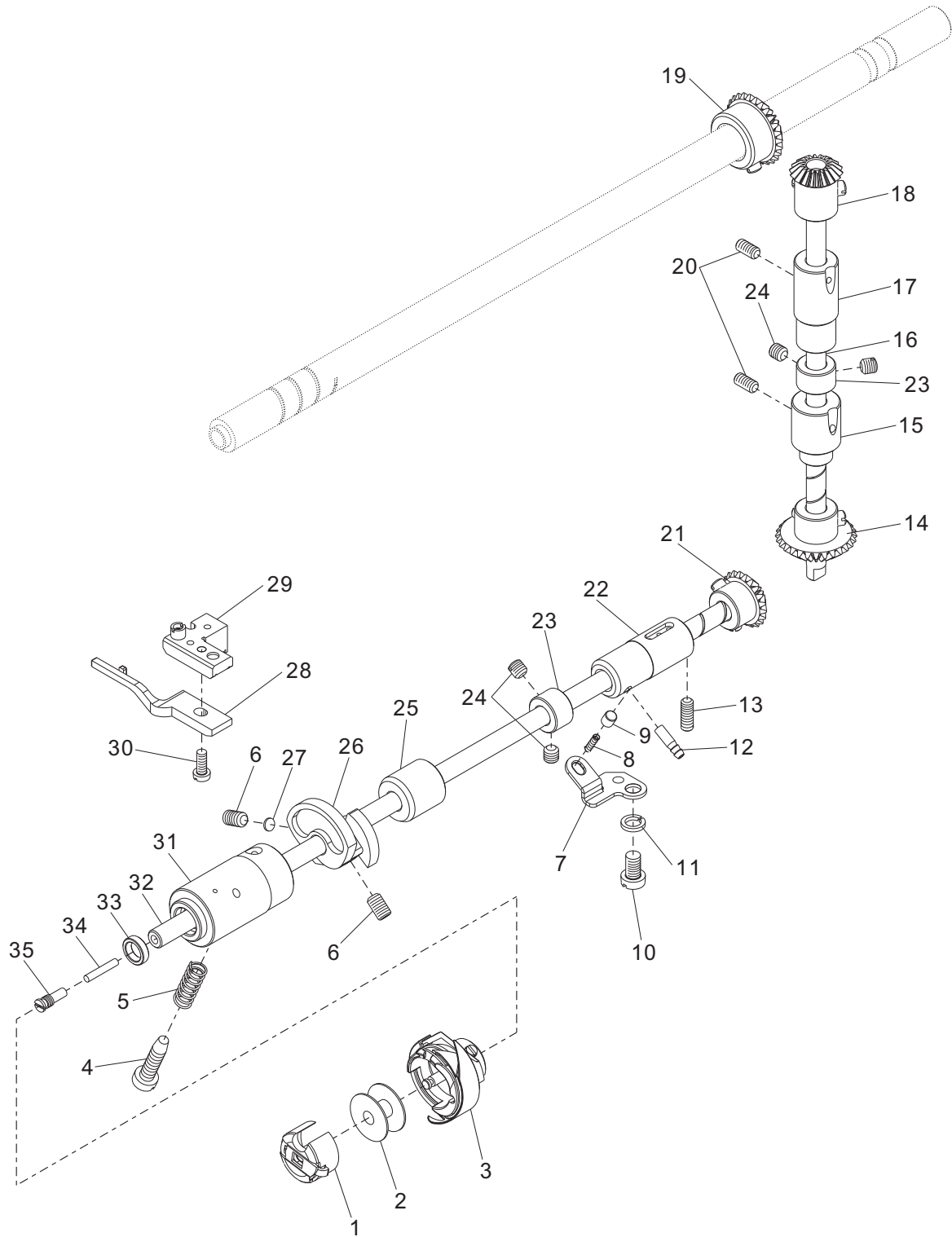
序号 Ref. No.	件号 Part No.	名称	Name of part	数量 QTY	备注 Remark
1	10043506	摆压脚	Waking foot	1	
2	10043507	压脚螺钉	Screw	1	
3	10002991	4垫圈	Washer 4	2	
4	10010018	SM9/64"×40螺钉	Screw SM9/64"×40	4	
5	10043396	拾牙叉夹紧螺钉	Screw	2	
6	10051152	提升压脚连杆压板	Rod guide	1	
7	10043505	压脚连杆压脚垫块	Collar	2	
8	10043503	摆压脚杆座	Clamper	1	
9	10051142	摆压脚杆	Connecting rod	1	
10	10043490	提升压脚导柱定位板	Holder plate	1	
11	10043512	压脚送料曲柄螺钉	Screw	2	
12	10043530	调压杆弹簧导柱	Guide shaft	1	
13	10043500	压脚送料变动连接螺母	Nut	1	
14	10051140	摆压脚叉形杆	Lever	1	
15	10051143	摆压脚连杆	Link	1	
16	10043502	压脚送料曲柄连杆螺钉	Screw	1	
17	10043498	压脚送料变动连接螺钉	Screw	1	
18	10043496	摆压脚叉形杆销	Shaft	1	
19	10043494	压脚曲柄连接螺母	Nut	1	
20	10003086	6垫圈	Washer 6	1	
21	10051156	压脚摆动前曲柄	Crank	1	
22	10043497	摆压脚叉形杆销螺钉	Screw	1	
23	10049434	提升压脚变动曲柄轴组件	Roller shaft assy	1	
24	10043529	摆压脚调压弹簧	Compression spring	2	
25	10051602	摆压脚调节螺钉架	Bracket	1	
26	10043360	针杆接头滑块导轨螺钉	Screw	4	
27	10051159	压脚摆动轴前轴套	Bush.L	1	
28	10043469	夹线调节座固定螺钉	Screw	3	
29	10046185	前曲柄螺钉	Screw	1	
30	10043486	摆压脚调压螺母	Nut	1	
31	10043526	摆压脚调压螺钉	Screw	1	
32	10043509	提升压脚导柱轴滚柱	Roller	1	
33	10043508	提升压脚导位板	Lever guide	1	
34	10003480	3×8销	Pin 3×8	2	
35	10043513	压脚送料曲柄连杆螺钉(长)	Screw	1	
36	10043511	压脚送料曲柄连杆	Link	1	
37	10049435	压脚升降轴组件	Feed lifting shaft assy	1	
38	10043516	摆压脚提升轴套	Bush	1	
39	10051144	摆压脚提升后轴套	Bush.R	1	
40	10049433	压脚升降偏心轮机构	Eccentric wheel mechanism	1	
41	10043524	油毡簧	Spring	1	
42	10043523	油毡	Oil felt	1	
43	10046184	后曲柄螺钉	Screw	1	
44	10045702	O型圈9.2×2.4	O ring	1	
45	10051157	压脚摆动轴	Upper feed shaft	1	
46	10051392	压脚摆动轴后轴套	Bush.M	1	
47	10012536	14.72×22×7油封	Oil seal	1	





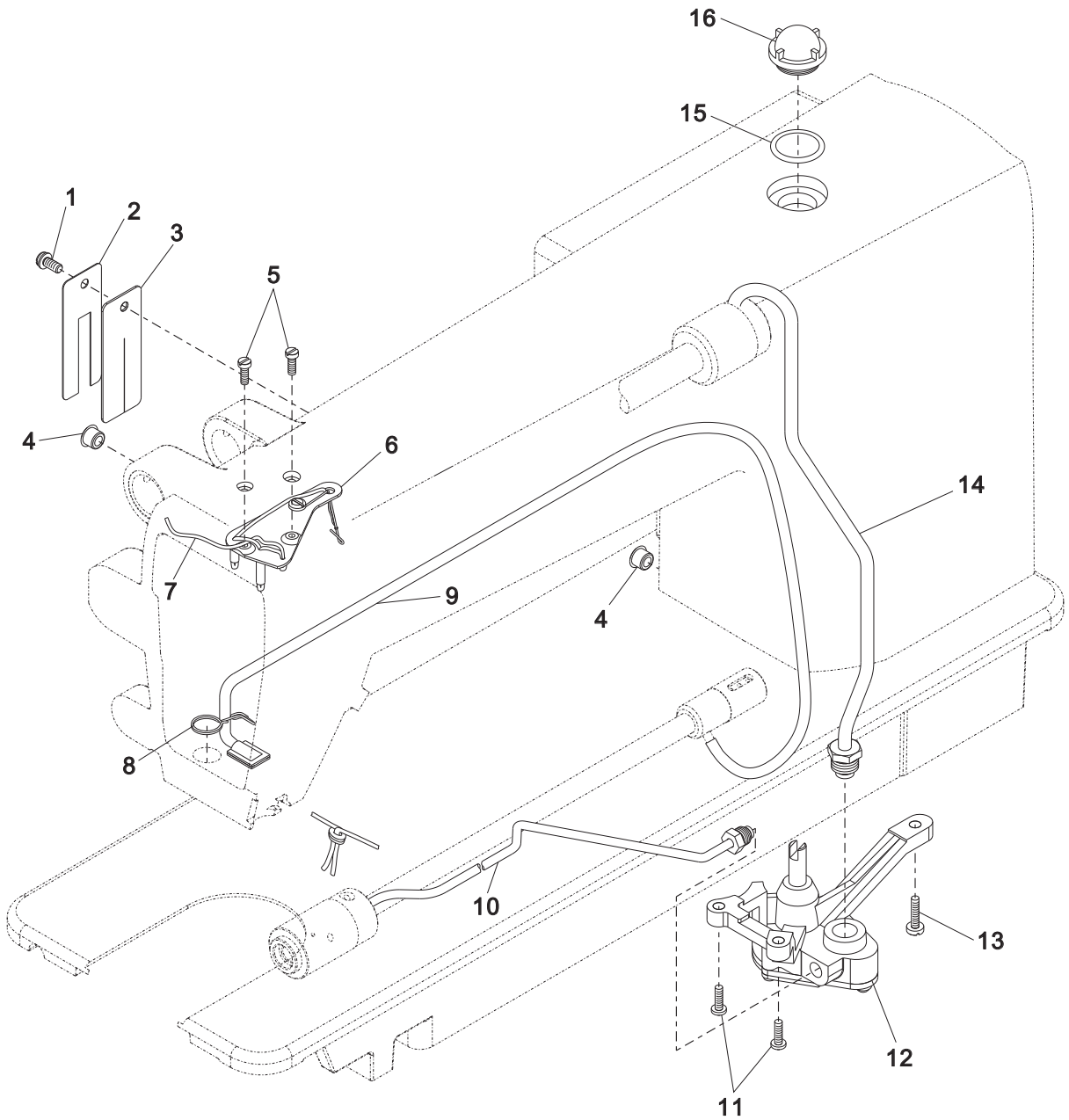


旋梭部件  
Hook Mechanism





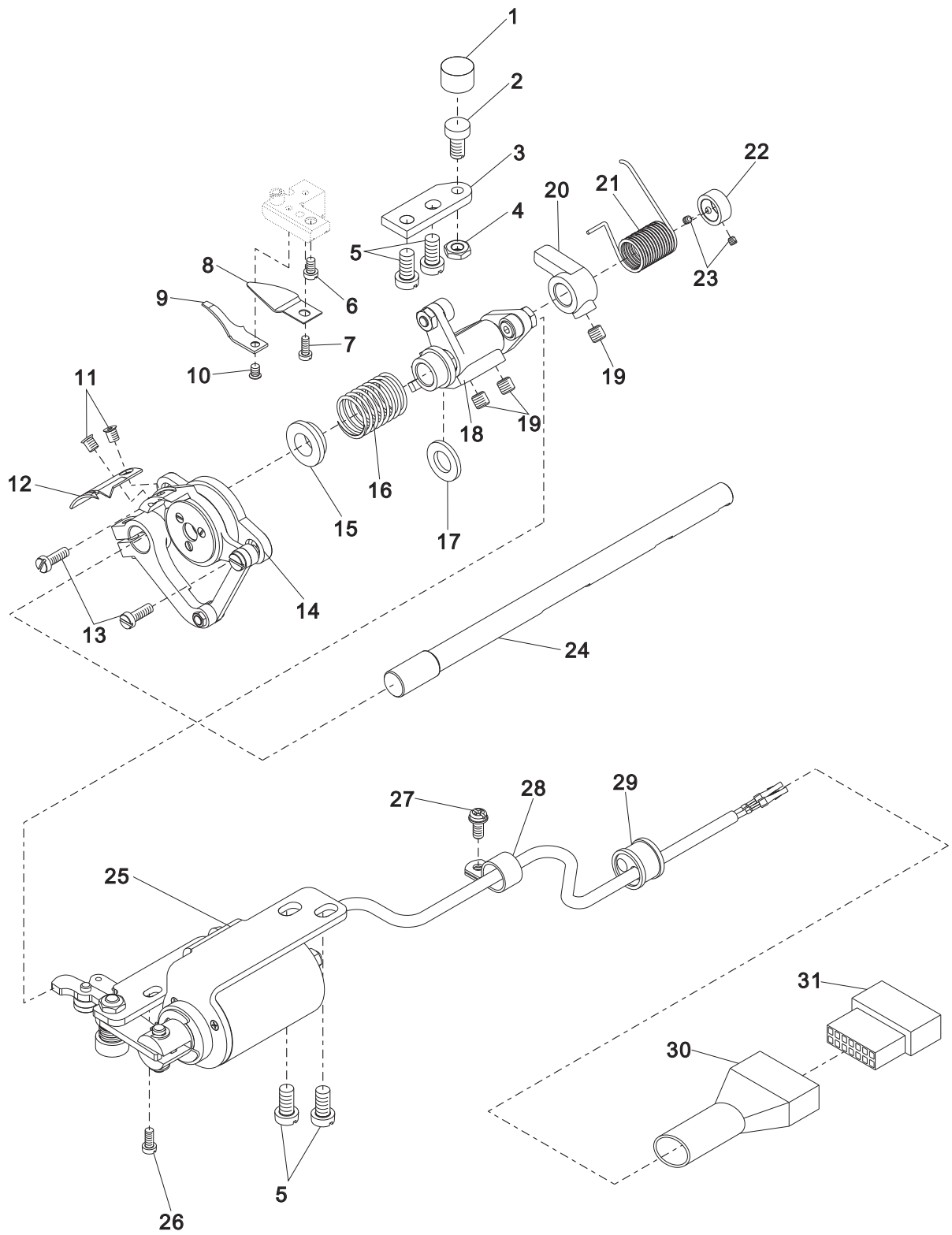








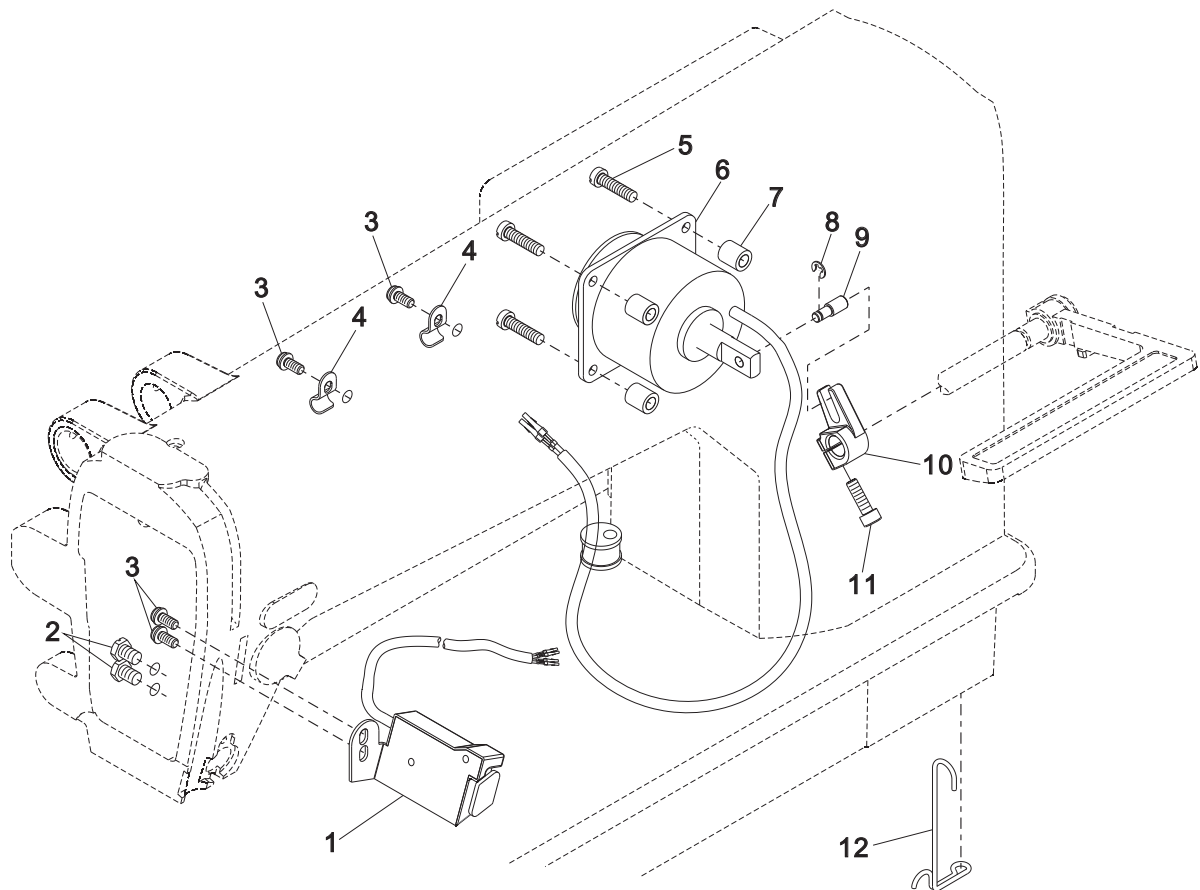
剪线部件  
Thread Trimming Mechanism





# 九

## 倒缝部件 Reverse Stitching Mechanism







附件  
Accessories For Model

