

目 录

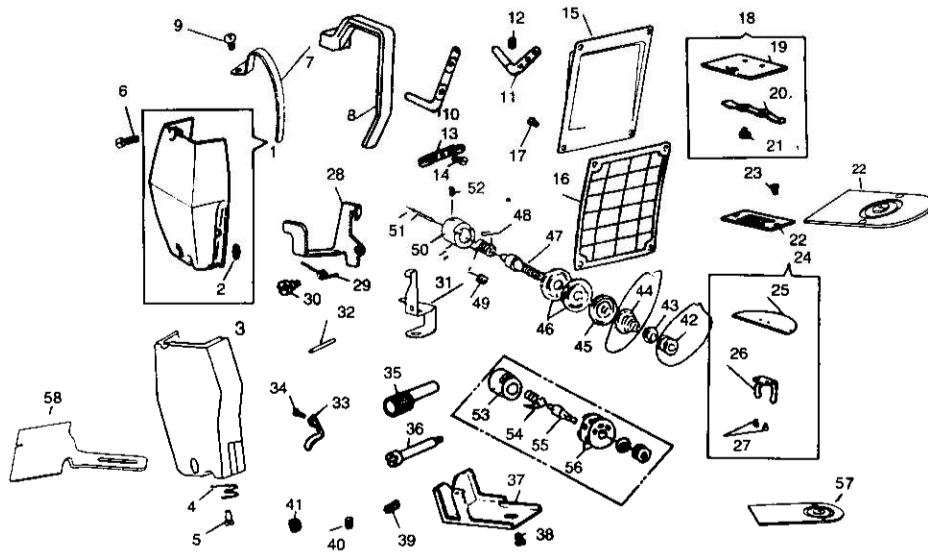
机壳组件.....	1
绕线器、上盖组件.....	3
挑线刺布组件.....	4
勾线组件.....	6
勾线组件.....	7
送料组件.....	8
差动、油盘组件.....	9
摆针组件.....	10
摆针花模组件.....	11
压脚组件.....	12
倒顺针距组件.....	13
附件.....	14
皮带罩、过线器、绕线器、膝提组件.....	15
备用件.....	16

CONTENTS

COMPONENTS OF HOUSING.....	1
BOBBIN WINDER UPPER COVER COMPONENTS.....	3
STITCH-EMBROIDERY COMPONENTS.....	4
THREAD-HOOK COMPONENTS.....	6
THREAD-HOOK COMPONENTS.....	7
MATERIAL-FEEDING COMPONENTS.....	8
DIFFERENTIAL,OIL COMPONENTS.....	9
COMPONENTS OF SWAYING NEEDLE.....	10
COMPONENTS OF SWAYING NEEDLE.....	11
COMPONENTS OF PRESSER FOOT.....	12
COMPONENTS OF NEEDLE DISTANCE OF REVERSAL STITCH.....	13
ACCESSARY.....	14
BELT COVER/THREAD-RUNNING COMPONENTS/BOBBIN WINDER/KNEE LIFTER ASSEMBLY.....	15
STANDBY PARTS.....	16

机壳组件

COMPONENTS OF HOUSING

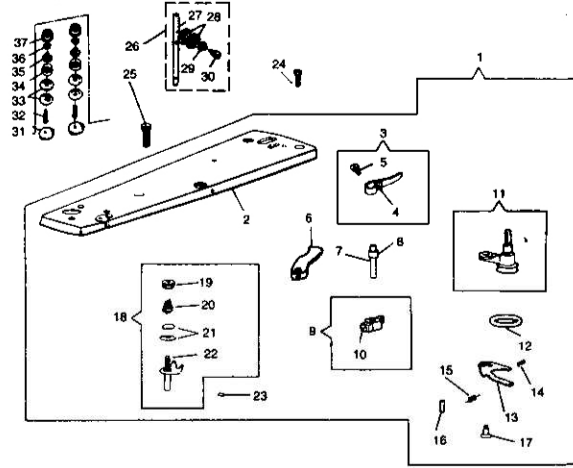


序号 NO	件号 PART NO.	20U23	20U23D	20U33	20U43	20U53	20U53A	20U53B	20U53-5	20U63	20U143	457A	457B	457C	457D	数量 QTY	名称 DESCRIPTION
1	GR245/3-8	*	*	*	*	*	*	*	*	*	*	*	*	*	*	1	面板组件
	GR406/3-8	*	*	*	*	*	*	*	*	*	*	*	*	*	*	1	面板组件
2	GR232-8	*	*	*	*	*	*	*	*	*	*	*	*	*	*	1	面板线勾
3	GK158-8	*	*	*	*	*	*	*	*	*	*	*	*	*	*	1	面板
4	GW242-8	*	*	*	*	*	*	*	*	*	*	*	*	*	*	1	面板线勾
5	GZ374-8	*	*	*	*	*	*	*	*	*	*	*	*	*	*	1	面板线勾钉
6	GS132-8	*	*	*	*	*	*	*	*	*	*	*	*	*	*	2	面板螺钉
	GS375-8	*	*	*	*	*	*	*	*	*	*	*	*	*	*	2	面板螺钉
7	GK134-8	*	*	*	*	*	*	*	*	*	*	*	*	*	*	1	挑线杆防护罩
	GK146-8	*	*	*	*	*	*	*	*	*	*	*	*	*	*	1	挑线杆防护罩
	GK140-8	*	*	*	*	*	*	*	*	*	*	*	*	*	*	1	挑线杆防护罩
8	GK161-8	*	*	*	*	*	*	*	*	*	*	*	*	*	*	1	挑线杆防护罩
9	GS223-8	*	*	*	*	*	*	*	*	*	*	*	*	*	*	1	挑线杆防护罩螺钉
	GS379-8	*	*	*	*	*	*	*	*	*	*	*	*	*	*	1	挑线杆防护罩螺钉
10	GR412-8	*	*	*	*	*	*	*	*	*	*	*	*	*	*	1	双孔过线架
11	GR233-8	*	*	*	*	*	*	*	*	*	*	*	*	*	*	1	三眼线勾
	GR364-8	*	*	*	*	*	*	*	*	*	*	*	*	*	*	1	二眼线勾
12	GS139-8	*	*	*	*	*	*	*	*	*	*	*	*	*	*	1	三眼线勾螺钉
13	GR231-8	*	*	*	*	*	*	*	*	*	*	*	*	*	*	1	双过线架
14	GS223-8	*	*	*	*	*	*	*	*	*	*	*	*	*	*	1	双过线架螺钉
15	GK133-8	*	*	*	*	*	*	*	*	*	*	*	*	*	*	1	后盖板
	GK145-8	*	*	*	*	*	*	*	*	*	*	*	*	*	*	1	后盖板
16	GK160-8	*	*	*	*	*	*	*	*	*	*	*	*	*	*	1	后盖板
17	GS132-8	*	*	*	*	*	*	*	*	*	*	*	*	*	*	4	后盖板螺钉
18	GR476/4-8	*	*	*	*	*	*	*	*	*	*	*	*	*	*	1	推板组件
19	GM132-8	*	*	*	*	*	*	*	*	*	*	*	*	*	*	1	推板
20	GW131-8	*	*	*	*	*	*	*	*	*	*	*	*	*	*	1	推板簧
21	GS133-8	*	*	*	*	*	*	*	*	*	*	*	*	*	*	2	推板簧螺钉
22	GM131-8	*	*	*	*	*	*	*	*	*	*	*	*	*	*	1	针板
	GM156-8	*	*	*	*	*	*	*	*	*	*	*	*	*	*	1	针板
	GM205-8	*	*	*	*	*	*	*	*	*	*	*	*	*	*	1	针板
	GM203-8	*	*	*	*	*	*	*	*	*	*	*	*	*	*	1	针板
23	GS338-8	*	*	*	*	*	*	*	*	*	*	*	*	*	*	2	针板螺钉
24	GR477/4-8	*	*	*	*	*	*	*	*	*	*	*	*	*	*	1	针板内盖板组件
25	GM130-8	*	*	*	*	*	*	*	*	*	*	*	*	*	*	1	针板内盖板
26	GW130-8	*	*	*	*	*	*	*	*	*	*	*	*	*	*	1	针板内盖板簧
27	GS255-8	*	*	*	*	*	*	*	*	*	*	*	*	*	*	2	针板内盖板螺钉
28	GR241-8	*	*	*	*	*	*	*	*	*	*	*	*	*	*	1	松线杆
29	GR373-8	*	*	*	*	*	*	*	*	*	*	*	*	*	*	1	松线杆
	GW135-8	*	*	*	*	*	*	*	*	*	*	*	*	*	*	1	松线杆扭簧
30	GS148-8	*	*	*	*	*	*	*	*	*	*	*	*	*	*	1	松线杆螺钉
31	GR397-8	*	*	*	*	*	*	*	*	*	*	*	*	*	*	1	旋绕定位座
32	GX180-8	*	*	*	*	*	*	*	*	*	*	*	*	*	*	1	下过线钉
33	GR230-8	*	*	*	*	*	*	*	*	*	*	*	*	*	*	1	下过线勾
34	GS137-8	*	*	*	*	*	*	*	*	*	*	*	*	*	*	1	下过线勾螺钉

序号 NO	件号 PART NO.	20U23	20U23D	20U33	20U43	20U53	20U53A	20U53B	20U53S	20U63	20U143	457A	457B	457C	457D	数量 QTY	名称 DESCRIPTION	
35	GT150-8	*	*	*	*	*	*	*	*	*	*	*	*	*	*	1	直缝锁紧偏心套	Linear lock eccentric shield
	GT159-8	-	-	-	-	-	-	-	-	-	-	-	-	-	-	1	直缝锁紧偏心套	Linear lock eccentric shield
36	GS264-8	*	*	*	*	*	*	*	*	*	*	*	*	*	*	1	直缝锁紧偏心套螺钉	Linear lock eccentric shield screw
37	GK130-8	*	*	*	*	*	*	*	*	*	*	*	*	*	*	1	旋梭防护罩	Rotating shuttle shield
38	GS132-8	*	*	*	*	*	*	*	*	*	*	*	*	*	*	1	旋梭防护罩螺钉	Rotating shuttle shield screw
39	GX191-8	*	*	*	*	*	*	*	*	*	*	*	*	*	*	1	偏心套顶柱	Eccentric shield stress ploe
40	GW179-8	*	*	*	*	*	*	*	*	*	*	*	*	*	*	1	偏心套压簧	Eccentric shield stress spring
41	GS288-8	*	*	*	*	*	*	*	*	*	*	*	*	*	*	1	压簧螺钉	Stress spring screw
42	GL130-8	*	*	*	*	*	*	*	*	*	*	*	*	*	*	1	夹线螺母	Thread-holding nut
	GL176-8	-	-	-	-	*	*	*	*	*	*	*	*	*	*	1	夹线螺母	Thread-holding nut
43	GR239-8	*	*	*	*	*	*	*	*	*	*	*	*	*	*	1	夹线制动板	Thread-holding brake
44	GW133-8	*	*	*	*	*	*	*	*	*	*	*	*	*	*	1	夹线簧	Thread-holding spring
	GW208-8	-	-	-	-	*	*	*	*	*	*	*	*	*	*	1	夹线簧	Thread-holding spring
45	GR238-8	*	*	*	*	*	*	*	*	*	*	*	*	*	*	1	松线板	Thread-releasing plate
46	GR237-8	*	*	*	*	*	*	*	*	*	*	*	*	*	*	2	夹线板	Thread-holding plate
47	GS145-8	*	*	*	*	*	*	*	*	*	*	*	*	*	*	1	夹线螺钉	Thread-holding screw
48	GW134-8	*	*	*	*	*	*	*	*	*	*	*	*	*	*	1	挑线簧	Stitch spring
49	GS146-8	*	*	*	*	*	*	*	*	*	*	*	*	*	*	1	夹线器螺钉紧固螺钉	Thread-holding fixing screw
50	GR372-8	*	*	*	*	*	*	*	*	*	*	*	*	*	*	1	挑线簧调节座	Stitch-spring adjusting base
51	GX132-8	*	*	*	*	*	*	*	*	*	*	*	*	*	*	1	松线钉	Thread-releasing needle
52	GS147-8	*	*	*	*	*	*	*	*	*	*	*	*	*	*	1	夹线器固定螺钉	Thread-hold fixing screw
53	GR370-8	-	*	-	-	-	-	-	-	-	-	-	-	-	*	挑线簧调节座	Stitch spring adjuster	
54	GW170-8	-	*	-	-	-	-	-	-	-	-	-	-	-	*	挑线簧	Stitch spring	
55	GS261-8	-	*	-	-	-	-	-	-	-	-	-	-	-	*	挑线簧螺钉	Stitch spring screw	
56	GR367/3-8	-	*	-	-	-	-	-	-	-	-	-	-	-	*	挑线导线路部件	Stitch-guiding part	
57	GM220-8	-	-	-	-	-	-	-	-	-	-	-	-	-	*	圆形针板	Rounded Needle plate	
58	GR1320-8	-	-	-	-	*	*	*	*	*	*	*	*	*	*	1	垫板	Spacer

绕线器、上盖组件

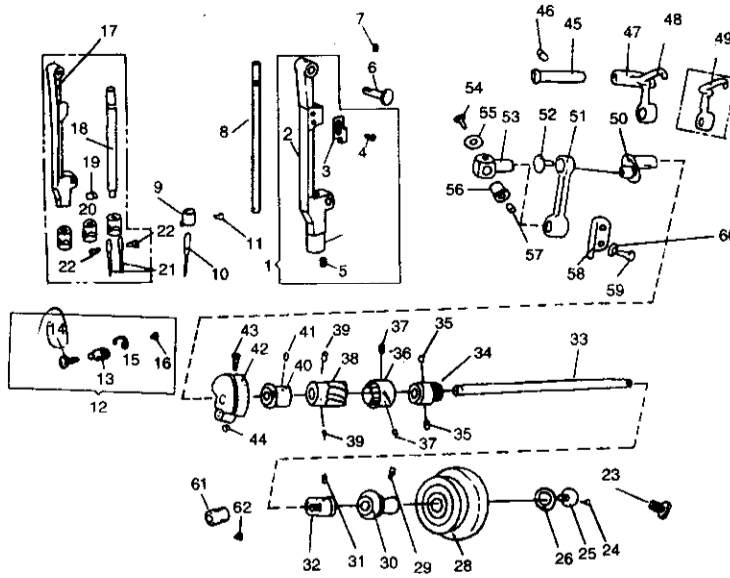
BOBBIN WINDER UPPER COVER COMPONENTS



序号 NO	件号 PART NO.	20U23	20U23D	20U33	20U43	20U53	20U53A	20U53B	20U53S	20U63	20U143	457A	457B	457C	457D	数量 QTY	名称 DESCRIPTION
1	GR483/27-8	-	-	*	*	*	*	*	*	*	*	*	*	*	*	1	上盖组件 Upper cover components
2	GR781/28-8	-	-	*	*	*	*	*	*	*	*	*	*	*	*	1	上盖组件 Upper cover components
	GK132-8	-	-	*	*	*	*	*	*	*	*	*	*	*	*	1	上盖 Upper cover
	GK141-8	-	-	*	*	*	*	*	*	*	*	*	*	*	*	1	上盖 Upper cover
	GK148-8	-	-	*	*	*	*	*	*	*	*	*	*	*	*	1	上盖 Upper cover
	GK159-8	-	-	*	*	*	*	*	*	*	*	*	*	*	*	1	上盖 Upper cover
	GK147-8	-	-	*	*	*	*	*	*	*	*	*	*	*	*	1	上盖 Upper cover
3	GR480/2-8	-	-	*	*	*	*	*	*	*	*	*	*	*	*	1	绕线调节压板组件 Volume adjusting plate components
4	GR377-8	-	-	*	*	*	*	*	*	*	*	*	*	*	*	1	绕线调节压板 Volume adjusting plate
5	GS273-8	-	-	*	*	*	*	*	*	*	*	*	*	*	*	1	绕线调节压板螺钉 Volume adjusting plate screw
6	GR726-8	-	-	*	*	*	*	*	*	*	*	*	*	*	*	1	绕线调节压板 Volume adjusting plate
7	GZ202-8	-	-	*	*	*	*	*	*	*	*	*	*	*	*	1	绕线调节轴 Volume adjusting spindle
	GZ246-8	-	-	*	*	*	*	*	*	*	*	*	*	*	*	1	绕线调节轴 Volume adjusting spindle
8	GO218-8	-	-	*	*	*	*	*	*	*	*	*	*	*	*	1	绕线调节轴挡圈 Washer
9	GR481/2-8	-	-	*	*	*	*	*	*	*	*	*	*	*	*	1	绕线定位块 Locating block
10	GS222-8	-	-	*	*	*	*	*	*	*	*	*	*	*	*	1	绕线定位块螺钉 Locating block set screw
11	GR405/8-8	-	-	*	*	*	*	*	*	*	*	*	*	*	*	1	绕线芯轴组件 Axis components
	GR780/9-8	-	-	*	*	*	*	*	*	*	*	*	*	*	*	1	绕线芯轴组件 Axis components
12	GO207-8	-	-	*	*	*	*	*	*	*	*	*	*	*	*	1	橡胶圈 Rubber circle
	GO284-8	-	-	*	*	*	*	*	*	*	*	*	*	*	*	1	橡胶圈 Rubber circle
13	GR375-8	-	-	*	*	*	*	*	*	*	*	*	*	*	*	1	绕线摆柄 Thread-winding swaying handle
14	GW173-8	-	-	*	*	*	*	*	*	*	*	*	*	*	*	1	绕线摆柄压簧 Swaying handle presser spring
15	GW174-8	-	-	*	*	*	*	*	*	*	*	*	*	*	*	1	绕线摆柄拉簧 Swaying handle presser spring
16	GX182-8	-	-	*	*	*	*	*	*	*	*	*	*	*	*	1	拉簧销钉 Extension spring pin
17	GS272-8	-	-	*	*	*	*	*	*	*	*	*	*	*	*	1	绕线曲柄螺钉 Crank screw
	GX218-8	-	-	*	*	*	*	*	*	*	*	*	*	*	*	1	绕线曲柄销 Crank screw
18	GR482/6-8	-	-	*	*	*	*	*	*	*	*	*	*	*	*	1	上夹线器 Upper thread-running plate
	GR778/6-8	-	-	*	*	*	*	*	*	*	*	*	*	*	*	1	上夹线器 Upper thread-running plate
19	GL162-8	-	-	*	*	*	*	*	*	*	*	*	*	*	*	1	上夹线螺母 Upper thread-running plate nut
	GL175-8	-	-	*	*	*	*	*	*	*	*	*	*	*	*	1	上夹线螺母 Upper thread-running plate nut
20	GW175-8	-	-	*	*	*	*	*	*	*	*	*	*	*	*	1	上夹线簧 Upper thread-running plate spring
21	GR379-8	-	-	*	*	*	*	*	*	*	*	*	*	*	*	2	上夹线柄 Upper thread-running pole
22	GR403/2-8	-	-	*	*	*	*	*	*	*	*	*	*	*	*	1	上过线板组件 Upper thread-running plate components
23	GS275-8	-	-	*	*	*	*	*	*	*	*	*	*	*	*	1	上过线板螺钉 Fixing screw
24	GS142-8	-	-	*	*	*	*	*	*	*	*	*	*	*	*	1	上盖后螺钉 Upper cover back screw
25	GS140-8	-	-	*	*	*	*	*	*	*	*	*	*	*	*	1	上盖定位螺钉 Upper cover set screw
	GS376-8	-	-	*	*	*	*	*	*	*	*	*	*	*	*	2	上盖螺钉 Upper cover screw
26	GR234/5-8	-	-	*	*	*	*	*	*	*	*	*	*	*	*	1	过线器部件 Thread-running components
27	GR235-8	-	-	*	*	*	*	*	*	*	*	*	*	*	*	1	过线柱 Thread-running pole
	GR365-8	-	-	*	*	*	*	*	*	*	*	*	*	*	*	1	过线柱 Thread-running pole
28	GR236-8	-	-	*	*	*	*	*	*	*	*	*	*	*	*	2	过线夹线板 Thread-running plate
29	GW132-8	-	-	*	*	*	*	*	*	*	*	*	*	*	*	1	过线夹线簧 Thread-running spring
30	GS141-8	-	-	*	*	*	*	*	*	*	*	*	*	*	*	1	过线夹线螺钉 Thread-running holding screw
31	GL160-8	-	-	*	*	*	*	*	*	*	*	*	*	*	*	2	夹线螺母 Thread-holding nut
32	GS260-8	-	-	*	*	*	*	*	*	*	*	*	*	*	*	2	夹线螺钉 Thread-holding screw
33	GR237-8	-	-	*	*	*	*	*	*	*	*	*	*	*	*	4	夹线板 Thread-holding plate
34	GR369-8	-	-	*	*	*	*	*	*	*	*	*	*	*	*	2	夹线簧座 Thread-holding spring
35	GW133-8	-	-	*	*	*	*	*	*	*	*	*	*	*	*	2	夹线簧 Thread-holding spring
36	GR239-8	-	-	*	*	*	*	*	*	*	*	*	*	*	*	2	夹线制动板 Thread-holding brake
37	GL160-8	-	-	*	*	*	*	*	*	*	*	*	*	*	*	2	夹线螺母 Thread-holding nut

挑线刺布组件

STITCH-EMBROIDERY COMPONENTS

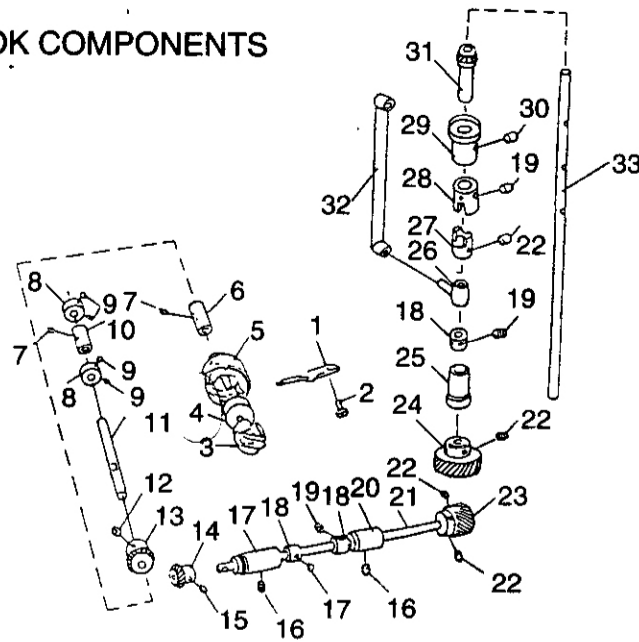


序号 NO	件号 PART NO.	20U23	20U23D	20U33	20U43	20U53	20U53A	20U53B	20U53C	20U63	20U143	457A	457B	457C	457D	数量 QTY	名称 DESCRIPTION
1	GR485/5-8	*	*	*	*	*	*	*	*	*	*	*	*	*	*	1	针杆摆动架组件 Swaying rack of needle staff components
2	GR251-8	*	*	*	*	*	*	*	*	*	*	*	*	*	*	1	针杆摆动架 Swaying rack of needle staff
3	GR255-8	*	*	*	*	*	*	*	*	*	*	*	*	*	*	1	针杆定位片 Locating plate of needle staff
4	GS163-8	*	*	*	*	*	*	*	*	*	*	*	*	*	*	2	针杆定位片螺钉 Locating plate screw
5	GS158-8	*	*	*	*	*	*	*	*	*	*	*	*	*	*	1	针杆偏心销螺钉 Eccentric pin screw of needle staff
6	GX143-8	*	*	*	*	*	*	*	*	*	*	*	*	*	*	1	针杆摆动架销 Pin of swaying rack
7	GS164-8	*	*	*	*	*	*	*	*	*	*	*	*	*	*	1	针杆摆动架销螺钉 Pin of swaying rack screw
8	GS225-8 GZ140-8	*	*	*	*	*	*	*	*	*	*	*	*	*	*	1	针杆 Needle bar
9	GR257-8	*	*	*	*	*	*	*	*	*	*	*	*	*	*	1	针杆 Needle bar
10	GV130-8	*	*	*	*	*	*	*	*	*	*	*	*	*	*	1	针杆线勾 Thread-hook of needle staff
11	GS159-8	*	*	*	*	*	*	*	*	*	*	*	*	*	*	1	机针 Needle
12	GR484/4-8	*	*	*	*	*	*	*	*	*	*	*	*	*	*	1	机针锁定螺钉 Locking screw of needle
13	GR467-8	*	*	*	*	*	*	*	*	*	*	*	*	*	*	1	针夹组件 Needle clamp components
14	GS290-8	*	*	*	*	*	*	*	*	*	*	*	*	*	*	1	针夹 Needle clamp
15	GR466-8	*	*	*	*	*	*	*	*	*	*	*	*	*	*	1	线勾螺钉 Thread-hook screw
16	GS289-8	*	*	*	*	*	*	*	*	*	*	*	*	*	*	1	针杆线勾 Thread-hook of needle staff
17	GR361-8	*	*	*	*	*	*	*	*	*	*	*	*	*	*	1	机针锁定螺钉 Needle lock screw
18	GZ200-8	*	*	*	*	*	*	*	*	*	*	*	*	*	*	1	针杆摆动架 Needle bar swaying rack
19	GS202-8	*	*	*	*	*	*	*	*	*	*	*	*	*	*	1	双针针杆 Double needle needle bar
20	GR360-8	*	*	*	*	*	*	*	*	*	*	*	*	*	*	1	双针针头A(选购) Double needle clamber A
	GR360B-8	*	*	*	*	*	*	*	*	*	*	*	*	*	*	1	双针针头B(选购) Double needle clamber B
	GR360C-8	*	*	*	*	*	*	*	*	*	*	*	*	*	*	1	双针针头C(选购) Double needle clamber C
21	GV130-8	*	*	*	*	*	*	*	*	*	*	*	*	*	*	2	机针 Needle
22	GS262-8	*	*	*	*	*	*	*	*	*	*	*	*	*	*	2	机针锁定螺钉 Needle lock screw
23	GS254-8	*	*	*	*	*	*	*	*	*	*	*	*	*	*	1	上轮吊紧螺钉 Clamping screw of upper wheel
24	GS279-8	*	*	*	*	*	*	*	*	*	*	*	*	*	*	1	离合小螺钉 Clutch little screw
25	GP151-8	*	*	*	*	*	*	*	*	*	*	*	*	*	*	1	离合手轮 Clutch wheel
26	GR380-8	*	*	*	*	*	*	*	*	*	*	*	*	*	*	1	离合垫圈 Clutch washer
28	GP142-8	*	*	*	*	*	*	*	*	*	*	*	*	*	*	1	上轮 Upper wheel lock screw
29	GP130-8	*	*	*	*	*	*	*	*	*	*	*	*	*	*	1	上轮 Upper wheel
29	GS280-8	*	*	*	*	*	*	*	*	*	*	*	*	*	*	1	上轮套螺钉 Sleeve screw
30	GO209-8	*	*	*	*	*	*	*	*	*	*	*	*	*	*	1	上轮套筒 Sleeve of upper wheel
31	GS277-8	*	*	*	*	*	*	*	*	*	*	*	*	*	*	1	上轴后轴套螺钉 Back sleeve of upper shaft
32	GS173-8	*	*	*	*	*	*	*	*	*	*	*	*	*	*	1	上轴后轴套 Fastening screw of back sleeve
32	GO208-8	*	*	*	*	*	*	*	*	*	*	*	*	*	*	1	上轴后轴套 Back sleeve of upper shaft
	GO144-8	*	*	*	*	*	*	*	*	*	*	*	*	*	*	1	上轴后轴套 Back sleeve of upper shaft
33	GZ141-8	*	*	*	*	*	*	*	*	*	*	*	*	*	*	1	上轴 Upper shaft
	GZ207-8	*	*	*	*	*	*	*	*	*	*	*	*	*	*	1	上轴 Upper shaft
	GZ203-8	*	*	*	*	*	*	*	*	*	*	*	*	*	*	1	上轴 Upper shaft
	GZ248-8	*	*	*	*	*	*	*	*	*	*	*	*	*	*	1	上轴 Upper shaft
34	GT153-8	*	*	*	*	*	*	*	*	*	*	*	*	*	*	1	送布凸轮 Cam of cloth-feeding
35	GS251-8	*	*	*	*	*	*	*	*	*	*	*	*	*	*	2	送布凸轮螺钉 Cam of cloth-feeding screw
36	GC131-8	*	*	*	*	*	*	*	*	*	*	*	*	*	*	1	上轴弧齿锥齿轮 Arc-cone gear (upper shaft)
37	GS167-8	*	*	*	*	*	*	*	*	*	*	*	*	*	*	2	上轴弧齿锥齿轮螺钉 Screw or arc-cone gear

序号 NO	件号 PART NO.	20123	20U23D	20U33	20U43	20U53	20U53A	20U53B	20U53-5	20U63	20U143	457A	457B	457C	457D	数量 QTY	名称 DESCRIPTION
38	GC130-8	*	*	*	*	*	*	*	*	*	*	*	*	*	*	1	上轮螺旋齿轮 Spiral of gear of upper shaft
	GC148-8	*	*	*	*	*	*	*	*	*	*	*	*	*	*	1	螺旋齿轮 Spiral of gear of upper shaft
39	GS170-8	*	*	*	*	*	*	*	*	*	*	*	*	*	*	1	上轮螺旋齿轮螺钉 Screw of spiral gear
40	GO143-8	*	*	*	*	*	*	*	*	*	*	*	*	*	*	1	上轴前轴套 Front sleeve of upper shaft
41	GS169-8	*	*	*	*	*	*	*	*	*	*	*	*	*	*	1	上轴前轴套固定螺钉 Fastening screw of front sleeve
42	GH145-8	*	*	*	*	*	*	*	*	*	*	*	*	*	*	1	挑线曲柄 Stitch crank
43	GS168-8	*	*	*	*	*	*	*	*	*	*	*	*	*	*	1	挑线曲柄螺钉 Stitch crank screw
44	GS404-8	*	*	*	*	*	*	*	*	*	*	*	*	*	*	2	针杆曲柄紧固螺钉 Crank fastening screw
45	GX144-8	*	*	*	*	*	*	*	*	*	*	*	*	*	*	1	挑线摆杆销 Pin of swaying staff
46	GS147-8	*	*	*	*	*	*	*	*	*	*	*	*	*	*	1	挑线摆杆销螺钉 Screw of swaying staff
47	GH141-8	*	*	*	*	*	*	*	*	*	*	*	*	*	*	1	挑线摆杆 Stitch-swaying staff
48	GH143-8	*	*	*	*	*	*	*	*	*	*	*	*	*	*	1	挑线杆 Stitch-staff
49	GH200-8	*	*	*	*	*	*	*	*	*	*	*	*	*	*	1	挑线杆 Stitch-staff
50	GH144-8	*	*	*	*	*	*	*	*	*	*	*	*	*	*	1	针杆曲柄 Crank of needle staff
51	GH140-8	*	*	*	*	*	*	*	*	*	*	*	*	*	*	1	小连杆 Small connecting staff
52	GS166-8	*	*	*	*	*	*	*	*	*	*	*	*	*	*	1	倒牙螺钉 Toothed screw
53	GR253-8	*	*	*	*	*	*	*	*	*	*	*	*	*	*	1	针杆连接轴体 Connecting shaft
54	GS161-8	*	*	*	*	*	*	*	*	*	*	*	*	*	*	1	针杆连接轴销螺钉 Pin-screw of needle
55	GO141-8	*	*	*	*	*	*	*	*	*	*	*	*	*	*	1	针杆连接轴销垫圈 Pin-washer of connecting shaft
56	GZ142-8	*	*	*	*	*	*	*	*	*	*	*	*	*	*	1	针杆连接轴销 Pin of connecting shaft
57	GS160-8	*	*	*	*	*	*	*	*	*	*	*	*	*	*	1	针杆连接轴销固定螺钉 Pin-locking screw of connecting shaft
58	GK254-8	*	*	*	*	*	*	*	*	*	*	*	*	*	*	1	小连杆导板 Guide of small of connecting shaft
59	GS132-8	*	*	*	*	*	*	*	*	*	*	*	*	*	*	2	小连杆导板螺钉 Screw of guide
60	GO217-8	*	*	*	*	*	*	*	*	*	*	*	*	*	*	1	小连杆导板垫圈 Guide washer
61	GO799-8	*	*	*	*	*	*	*	*	*	*	*	*	*	*	1	上轴挡圈 Upper Shaft retainer
62	GS167-8	*	*	*	*	*	*	*	*	*	*	*	*	*	*	2	上轴挡圈螺钉 Retainer screw of upper shaft

勾线组件

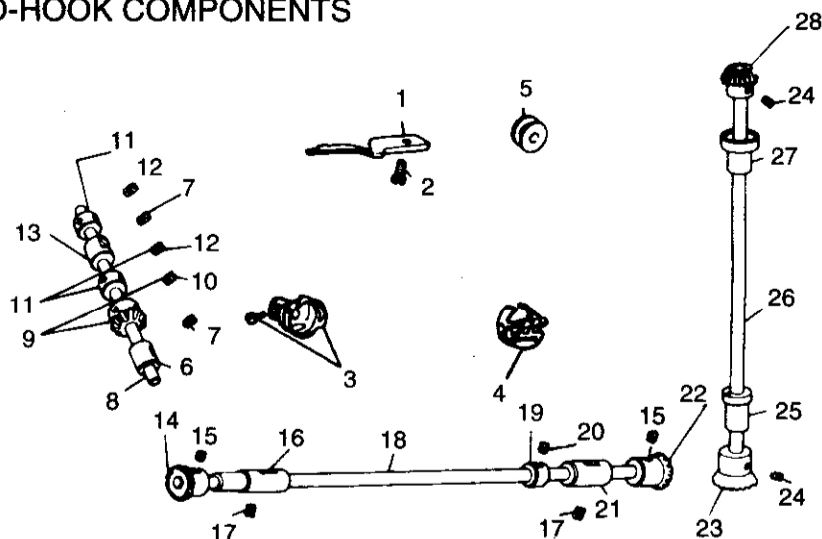
THREAD-HOOK COMPONENTS



序号 NO	件号 PART NO.	20U23	20U23D	20U33	20U43	20U53	20U59A	20U59B	20U59-S	20U63	20U143	457A	457B	457C	457D	数量 QTY	名称 DESCRIPTION	
1	GR278-8	*	*	*	*	*	*	*	*	*	*	*	*	*	*	1	旋梭定位板	Locating plate of rotating shuttle
2	GS256-8	*	*	*	*	*	*	*	*	*	*	*	*	*	*	1	旋梭定位板螺钉	Screw of locating plate
3	GM131-8	*	*	*	*	*	*	*	*	*	*	*	*	*	*	1	梭子	Shuttle
4	GN135-8	*	*	*	*	*	*	*	*	*	*	*	*	*	*	1	梭心	Shuttle core
5	GN130-8	*	*	*	*	*	*	*	*	*	*	*	*	*	*	1	旋梭	Rotating shuttle
6	GO163-8	*	*	*	*	*	*	*	*	*	*	*	*	*	*	1	旋梭前轴套	Front sleeve of rotating shuttle shaft
7	GS201-8	*	*	*	*	*	*	*	*	*	*	*	*	*	*	2	旋梭前轴套螺钉	Screw of front sleeve
8	GO164-8	*	*	*	*	*	*	*	*	*	*	*	*	*	*	2	旋梭轴挡圈	Retainer of rotating shuttle shaft
9	GS202-8	*	*	*	*	*	*	*	*	*	*	*	*	*	*	4	旋梭轴挡圈螺钉	Retainer screw
10	GO165-8	*	*	*	*	*	*	*	*	*	*	*	*	*	*	1	旋梭轴后轴套	Back sleeve of rotating shuttle shaft
11	GZ164-8	*	*	*	*	*	*	*	*	*	*	*	*	*	*	1	旋梭轴	Rotating shuttle shaft
12	GS167-8	*	*	*	*	*	*	*	*	*	*	*	*	*	*	2	旋梭轴弧齿锥齿轮螺钉	Screw arc-cone gear
13	GC141-8	*	*	*	*	*	*	*	*	*	*	*	*	*	*	1	旋梭轴弧齿锥齿轮	Arc-cone gear of rotating shuttle shaft
14	GC140-8	*	*	*	*	*	*	*	*	*	*	*	*	*	*	1	下轴弧齿锥齿轮	Arc-cone gear of lower shaft
15	GS199-8	*	*	*	*	*	*	*	*	*	*	*	*	*	*	2	下轴弧齿锥齿轮螺钉	Screw of arc-cone gear
16	GS147-8	*	*	*	*	*	*	*	*	*	*	*	*	*	*	2	下轴前后轴套螺钉	Screw
17	GO162-8	*	*	*	*	*	*	*	*	*	*	*	*	*	*	1	下轴前轴套	Front sleeve of lower shaft
18	GO216-8	*	*	*	*	*	*	*	*	*	*	*	*	*	*	1	下轴前轴套	Front sleeve of lower shaft
19	GS199-8	*	*	*	*	*	*	*	*	*	*	*	*	*	*	3	下轴(立轴)挡圈	Lower shaft retainer
20	GO161-8	*	*	*	*	*	*	*	*	*	*	*	*	*	*	6	下轴挡圈螺钉	Retainer screw of lower shaft
21	GO215-8	*	*	*	*	*	*	*	*	*	*	*	*	*	*	1	下轴后轴套	Back sleeve of lower shaft
22	GZ163-8	*	*	*	*	*	*	*	*	*	*	*	*	*	*	1	下轴后轴套	Back sleeve of lower shaft
23	GS167-8	*	*	*	*	*	*	*	*	*	*	*	*	*	*	1	下轴	Lower shaft
24	GC139-8	*	*	*	*	*	*	*	*	*	*	*	*	*	*	1	下轴	Lower shaft
25	GC137-8	*	*	*	*	*	*	*	*	*	*	*	*	*	*	1	下轴	Lower shaft
26	GO159-8	*	*	*	*	*	*	*	*	*	*	*	*	*	*	6	差动齿轮螺钉	Screw of differential gear
27	GO157-8	*	*	*	*	*	*	*	*	*	*	*	*	*	*	1	下轴差动齿轮	Differential gear
28	GO155-8	*	*	*	*	*	*	*	*	*	*	*	*	*	*	1	立轴差动齿轮	Differential gear
29	GO154-8	*	*	*	*	*	*	*	*	*	*	*	*	*	*	1	立轴下轴套	Lower sleeve of vertical shaft
30	GS198-8	*	*	*	*	*	*	*	*	*	*	*	*	*	*	1	差动滑套	Differential shaft sliding-cover
31	GC136-8	*	*	*	*	*	*	*	*	*	*	*	*	*	*	1	下离合套筒	Lower clutch sleeve
32	GH168-8	*	*	*	*	*	*	*	*	*	*	*	*	*	*	1	上离合套筒	Upper clutch sleeve
33	GZ162-8	*	*	*	*	*	*	*	*	*	*	*	*	*	*	1	立轴上轴套	Upper sleeve of vertical shaft
																	立轴上轴套螺钉	Screw of upper sleeve
																	立轴弧齿锥齿轮	Arc-cone gear
																	大差动连杆	Differential connecting bar
																	立轴	Vertical shaft

勾线组件

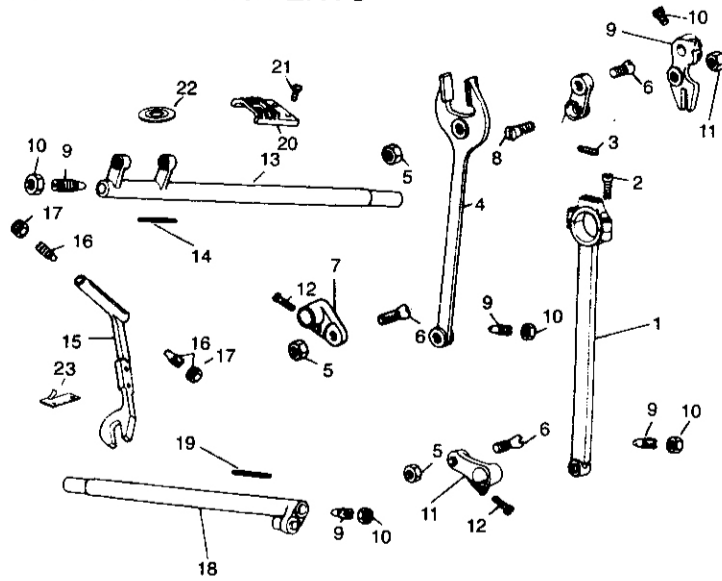
THREAD-HOOK COMPONENTS



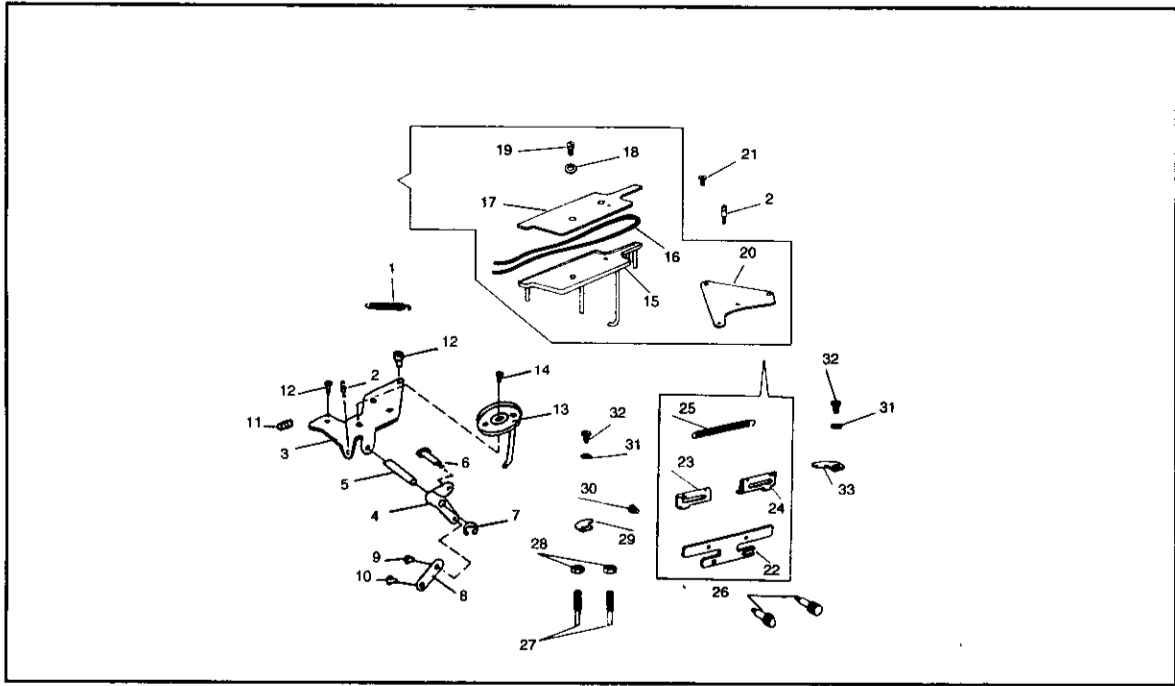
序号 NO	件号 PART NO.	20U23	20U23D	20U33	20U43	20U53	20U53A	20U53B	20U53-B	20U63	20U143	457A	457B	457C	457D	数量 QTY	名称 DESCRIPTION	
1	GR278-8	-	-	*	*	*	*	*	*	*	*	*	*	*	*	1	旋梭定位板	Locating plate of rotating shuttle
2	GS256-8	-	-	*	*	*	*	*	*	*	*	*	*	*	*	1	旋梭定位板螺钉	Screw of locating plate
3	GN130-8	-	-	*	*	*	*	*	*	*	*	*	*	*	*	1	旋梭	Shuttle
4	GN131-8	-	-	*	*	*	*	*	*	*	*	*	*	*	*	1	梭芯	Shuttle core
5	GN135-8	-	-	*	*	*	*	*	*	*	*	*	*	*	*	1	旋梭轴	Rotating shuttle
6	GO163-8	-	-	*	*	*	*	*	*	*	*	*	*	*	*	1	旋梭轴前轴套	Front sleeve of rotating shuttle shaft
7	GS201-8	-	-	*	*	*	*	*	*	*	*	*	*	*	*	2	旋梭轴轴套螺钉	Screw of front sleeve
8	GZ164-8	-	-	*	*	*	*	*	*	*	*	*	*	*	*	1	旋梭轴	Rotating shuttle shaft
9	GC141-8	-	-	*	*	*	*	*	*	*	*	*	*	*	*	1	旋梭轴弧齿锥齿轮	Screw arc-cone gear
10	GS167-8	-	-	*	*	*	*	*	*	*	*	*	*	*	*	2	旋梭轴弧齿锥齿轮螺钉	Arc-cone gear of rotating shuttle shaft
11	GO164-8	-	-	*	*	*	*	*	*	*	*	*	*	*	*	2	旋梭轴挡圈	Retainer of rotating shuttle shaft
12	GS202-8	-	-	*	*	*	*	*	*	*	*	*	*	*	*	4	旋梭轴挡圈螺钉	Retainer screw
13	GO165-8	-	-	*	*	*	*	*	*	*	*	*	*	*	*	1	旋梭轴后轴套	Back sleeve of rotating shuttle shaft
14	GC140-8	-	-	*	*	*	*	*	*	*	*	*	*	*	*	1	下轴弧齿锥齿轮(左)	Arc-cone gear of lower shaft(left)
15	GS199-8	-	-	*	*	*	*	*	*	*	*	*	*	*	*	4	下轴齿锥齿轮螺钉	Screw of lower shaft
16	GO162-8	-	-	*	*	*	*	*	*	*	*	*	*	*	*	1	下轴前轴套	Front sleeve of lower shaft
17	GS147-8	-	-	*	*	*	*	*	*	*	*	*	*	*	*	2	下轴前后轴套螺钉	Screw of arc-cone gear
18	GZ225-8	-	-	*	*	*	*	*	*	*	*	*	*	*	*	1	下轴	Lower shaft
19	GO232-8	-	-	*	*	*	*	*	*	*	*	*	*	*	*	1	下轴挡圈	Lower shaft retainer
20	GS199-8	-	-	*	*	*	*	*	*	*	*	*	*	*	*	4	下轴挡圈螺钉	Retainer screw of lower shaft
21	GO231-8	-	-	*	*	*	*	*	*	*	*	*	*	*	*	1	下轴后轴套	Back sleeve of lower shaft
22	GC151-8	-	-	*	*	*	*	*	*	*	*	*	*	*	*	1	下轴弧齿锥齿轮(右)	Arc-cone gear of lower shaft(right)
23	GC152-8	-	-	*	*	*	*	*	*	*	*	*	*	*	*	1	立轴弧齿锥齿轮(下)	Arc-cone gear of vertical shaft(lower)
24	GS199-8	-	-	*	*	*	*	*	*	*	*	*	*	*	*	4	立轴弧齿锥齿轮螺钉	screw of differential gear
25	GO229-8	-	-	*	*	*	*	*	*	*	*	*	*	*	*	1	立轴下轴套	Lower sleeve of vertical shaft
26	GZ224-8	-	-	*	*	*	*	*	*	*	*	*	*	*	*	1	立轴	Vertical shaft
27	GO228-8	-	-	*	*	*	*	*	*	*	*	*	*	*	*	1	立轴上轴套	Upper sleeve of vertical shaft
28	GC150-8	-	-	*	*	*	*	*	*	*	*	*	*	*	*	1	立轴弧齿锥齿轮(上)	Arc-cone gear of vertical shaft(upper)

送料组件

MATERIAL-FEEDING COMPONENTS



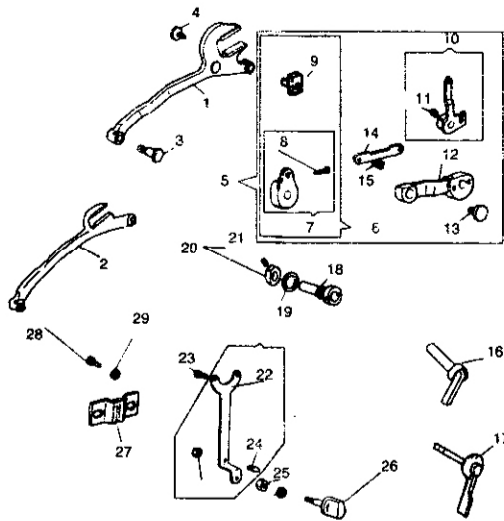
序号 NO	件号 PART NO.	20U23	20U23D	20U33	20U43	20U53	20U53A	20U53B	20U53-S	20U63	20U143	457A	457B	457C	457D	数量 QTY	名称 DESCRIPTION	
1	GR504/4-8	*	*	*	*	*	*	*	*	*	*	*	*	*	*	1	拾牙连杆组件	Toothed connecting bar components
2	GS142-8	*	*	*	*	*	*	*	*	*	*	*	*	*	*	2	拾牙连杆螺钉	Toothed connecting bar screw
3	GR268-8	*	*	*	*	*	*	*	*	*	*	*	*	*	*	1	油毡	Oil felt
4	GR267-8	*	*	*	*	*	*	*	*	*	*	*	*	*	*	1	牙叉	Toothed fork
5	GC142-8	*	*	*	*	*	*	*	*	*	*	*	*	*	*	3	小圆锥螺母	Small cone nut
6	GS188-8	*	*	*	*	*	*	*	*	*	*	*	*	*	*	3	小圆锥螺钉	Small cone screw
7	GH157-8	*	*	*	*	*	*	*	*	*	*	*	*	*	*	1	针距座连杆	Connecting bar of needle distance base
8	GS283-8	*	*	*	*	*	*	*	*	*	*	*	*	*	*	1	牙叉小圆锥螺钉	Toothed fork small cone screw
9	GR336-8	*	*	*	*	*	*	*	*	*	*	*	*	*	*	1	针距座	Needle distance base
	GR734-8	-	-	-	-	-	-	-	-	-	-	-	-	-	-	1	针距座	Needle distance base
10	GS263-8	*	*	*	*	*	*	*	*	*	*	*	*	*	*	1	针距座支头螺钉	Screw of needle distance base
11	GL142-8	*	*	*	*	*	*	*	*	*	*	*	*	*	*	1	小圆锥螺母	Pointed nut
12	GS185-8	*	*	*	*	*	*	*	*	*	*	*	*	*	*	2	送布曲柄螺钉	Crank screw of material-feeding tooth
13	GZ209-8	*	*	*	*	*	*	*	*	*	*	*	*	*	*	1	送布轴	Cloth-feeding shaft
	GZ152-8	-	-	-	-	-	-	-	-	-	-	-	-	-	-	1	送布轴	Cloth-feeding shaft
14	GR512-8	*	*	*	*	*	*	*	*	*	*	*	*	*	*	1	送布轴油线	Cloth-feeding shaft oil level
15	GR265-8	*	*	*	*	*	*	*	*	*	*	*	*	*	*	1	牙架	Tooth rack
16	GS183-8	*	*	*	*	*	*	*	*	*	*	*	*	*	*	2	牙架小顶尖螺钉	Pointed screw of tooth rack
17	GL140-8	*	*	*	*	*	*	*	*	*	*	*	*	*	*	2	牙架小顶尖螺母	Pointed nut of tooth rack
18	GZ151-8	*	*	*	*	*	*	*	*	*	*	*	*	*	*	1	拾牙轴	Toothed shaft
	GZ208-8	-	-	-	-	-	-	-	-	-	-	-	-	-	-	1	拾牙轴	Toothed shaft
19	GR1459-8	*	*	*	*	*	*	*	*	*	*	*	*	*	*	1	拾牙轴油线	Toothed shaft oil level
20	GM142-8	*	*	*	*	*	*	*	*	*	*	*	*	*	*	1	送料牙	Material-feeding shaft
	GM160-8	-	-	-	-	-	-	-	-	-	-	-	-	-	-	1	送料牙	Material-feeding shaft
	GM204-8	-	-	-	-	-	-	-	-	-	-	-	-	-	-	2	送料牙	Material-feeding shaft
	GM207-8	-	-	-	-	-	-	-	-	-	-	-	-	-	-	1	送料牙	Material-feeding shaft screw
21	GS184-8	*	*	*	*	*	*	*	*	*	*	*	*	*	*	1	送料牙螺钉	Material-feeding shaft
22	GM221-8	*	*	*	*	*	*	*	*	*	*	*	*	*	*	1	圆形送料牙	Material-feeding set
23	GR441-8	-	-	-	-	-	-	-	-	-	-	-	-	-	-	1	送料座	Feed base



序号 NO	件号 PART NO.	20U23	20U23D	20U33	20U43	20U53	20U53A	20U53B	20U53-5	20U63	20U143	457A	457B	457C	457D	数量 QTY	名称 DESCRIPTION
1	GW141-8	*	*	*	*	*	*	*	*	*	*	*	*	*	*	1	摆针调节曲柄弹簧 Spring for adjusting crank
2	GS212-8	*	*	*	*	*	*	*	*	*	*	*	*	*	*	1	拉簧螺钉 Screw of extension spring
3	GR299/2-8	*	*	*	*	*	*	*	*	*	*	*	*	*	*	1	差动曲柄定位架组件 Locating rack components
4	GR390/2-8	*	*	*	*	*	*	*	*	*	*	*	*	*	*	1	差动曲柄定位架组件 Locating rack components
5	GH180/3-8	*	*	*	*	*	*	*	*	*	*	*	*	*	*	1	差动曲柄组件 Differential crank components
6	GH210/3-8	*	*	*	*	*	*	*	*	*	*	*	*	*	*	1	差动曲柄组件 Differential crank components
7	GZ175-8	*	*	*	*	*	*	*	*	*	*	*	*	*	*	1	差动连接轴 Differential connecting shaft
8	GS219-8	*	*	*	*	*	*	*	*	*	*	*	*	*	*	1	差动连杆连接螺钉 Screw of differential connecting bar
9	GO177-8	*	*	*	*	*	*	*	*	*	*	*	*	*	*	1	差动连接轴挡圈 Retainer of differential connecting shaft
10	GH179-8	*	*	*	*	*	*	*	*	*	*	*	*	*	*	1	小差动连杆 Differential connecting shaft
11	GS216-8	*	*	*	*	*	*	*	*	*	*	*	*	*	*	1	差动连杆连接螺钉 Screw of differential connecting bar
12	GS217-8	*	*	*	*	*	*	*	*	*	*	*	*	*	*	1	摆针滑块连接螺钉 Connecting screw for sliding block
13	GS213-8	*	*	*	*	*	*	*	*	*	*	*	*	*	*	1	差动曲柄定位架锁套支头螺钉 Set screw of locating rack sleeve
14	GS256-8	*	*	*	*	*	*	*	*	*	*	*	*	*	*	2	差动曲柄定位架螺钉 Screw of locating rack
15	GR297-8	*	*	*	*	*	*	*	*	*	*	*	*	*	*	1	小油盘 Oil tray
16	GS132-8	*	*	*	*	*	*	*	*	*	*	*	*	*	*	1	小油盘螺钉 Oil tray screw
17	GR382/6-8	*	*	*	*	*	*	*	*	*	*	*	*	*	*	1	小油盘 Oil tray
18	GR474/6-8	*	*	*	*	*	*	*	*	*	*	*	*	*	*	1	小油盘 Oil tray
19	GR389-8	*	*	*	*	*	*	*	*	*	*	*	*	*	*	1	油纱带 Oil gauze
20	GR388-8	*	*	*	*	*	*	*	*	*	*	*	*	*	*	1	油毡毡 Wheel of oil tray
21	GO217-8	*	*	*	*	*	*	*	*	*	*	*	*	*	*	2	平垫圈 Flat washer
22	GS132-8	*	*	*	*	*	*	*	*	*	*	*	*	*	*	2	小油盘螺钉 Screw of oil tray
23	GR469-8	*	*	*	*	*	*	*	*	*	*	*	*	*	*	1	小油盘安装板 Oil tray set base
24	GS256-8	*	*	*	*	*	*	*	*	*	*	*	*	*	*	1	小油盘安装板螺钉 Screw of oil tray set base
25	GR294-8	*	*	*	*	*	*	*	*	*	*	*	*	*	*	1	摆针针距定位架 Locating rack for needle distance
26	GR290-8	*	*	*	*	*	*	*	*	*	*	*	*	*	*	1	摆针针距调节架(A) Locating rack for needle distance(A)
27	GR291-8	*	*	*	*	*	*	*	*	*	*	*	*	*	*	1	摆针针距调节架(B) Locating rack for needle distance(B)
28	GW142-8	*	*	*	*	*	*	*	*	*	*	*	*	*	*	1	摆针针距定位架拉簧 Extension spring of locating rack
29	GS253-8	*	*	*	*	*	*	*	*	*	*	*	*	*	*	2	摆针定位螺钉 Locating screw
30	GS383-8	*	*	*	*	*	*	*	*	*	*	*	*	*	*	2	摆针定位螺钉 Locating screw
31	GS215-8	*	*	*	*	*	*	*	*	*	*	*	*	*	*	2	摆针定位块调节螺钉 Adjusting screw of locating block
32	GL153-8	*	*	*	*	*	*	*	*	*	*	*	*	*	*	2	摆针定位块调节螺母 Adjusting nut of locating block
33	GR289-8	*	*	*	*	*	*	*	*	*	*	*	*	*	*	1	摆针针距左定位块 Locating block for needle block
34	GS213-8	*	*	*	*	*	*	*	*	*	*	*	*	*	*	2	摆针针距定位架螺钉 Screw of locating block
35	GO174-8	*	*	*	*	*	*	*	*	*	*	*	*	*	*	2	摆针针距定位块垫圈 Washer of locating block
36	GS256-8	*	*	*	*	*	*	*	*	*	*	*	*	*	*	2	摆针针距定位块螺钉 Screw of locating block
37	GR295-8	*	*	*	*	*	*	*	*	*	*	*	*	*	*	1	摆针针距右定位块 Right locating block for needle distance
38	GR289-8	*	*	*	*	*	*	*	*	*	*	*	*	*	*	1	摆针针距右定位块 Right locating block for needle distance
39	GR366-8	*	*	*	*	*	*	*	*	*	*	*	*	*	*	1	摆针针距右定位块 Right locating block for needle distance
40	GR1375-8	*	*	*	*	*	*	*	*	*	*	*	*	*	*	1	摆针针距右定位块 Right locating block for needle distance

摆针组件

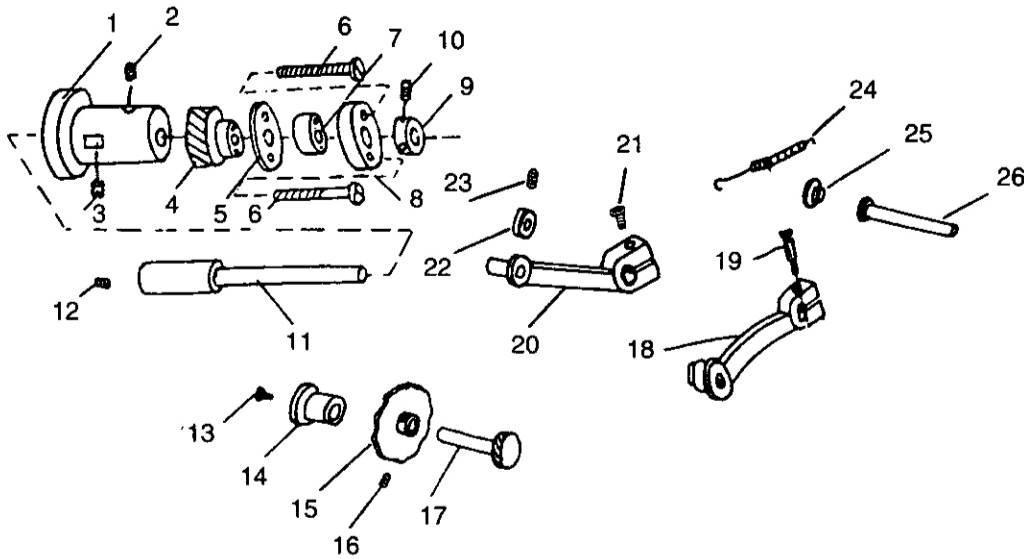
COMPONENTS OF SWAYING NEEDLE



序号 NO	件号 PART NO.													数量 QTY	名称 DESCRIPTION				
		20U23	20U23D	20U33	20U43	20U53	20U53A	20U53B	20U53-5	20U63	20U143	457A	457B		457C	457D			
1	GR288-8	*	*	*	*	*	*	*	*	*	*	*	*	*	*	*	1	横针拨叉	Fork of horizontal needle
	GR381-8																1	横针拨叉	Fork of horizontal needle
	GR402-8																1	横针拨叉	Fork of horizontal needle
2	GR457-8																1	横针拨叉	Fork of horizontal needle
3	GX155-8	*	*	*	*	*	*	*	*	*	*	*	*	*	*	*	1	针杆偏心销	Eccentric pin of needle staff
4	GS291-8																1	摆针滑块螺钉	Screw of sliding block
	GS217-8																1	摆针滑块螺钉	Screw of sliding block
5	GR521/12-8	*	*	*	*	*	*	*	*	*	*	*	*	*	*	*	1	摆针定位组件	Locating block of swaying needle compone
6	GR519/3-8	*	*	*	*	*	*	*	*	*	*	*	*	*	*	*	1	摆针滑块组件	Sliding block of swaying needle component
7	GR298-8	*	*	*	*	*	*	*	*	*	*	*	*	*	*	*	1	摆针导块座	Guide base of swaying needle
	GR393-8																1	摆针导块座	Guide base of swaying needle
8	GS185-8	*	*	*	*	*	*	*	*	*	*	*	*	*	*	*	1	摆针导块座螺钉	Screw of guide base of swaying needle
9	GU140-8	*	*	*	*	*	*	*	*	*	*	*	*	*	*	*	1	摆针滑块	Sliding block of swaying needle
10	GR292/2-8	*	*	*	*	*	*	*	*	*	*	*	*	*	*	*	1	摆针调节曲柄组件	Adjusting crank component
	GR407/2-8																1	摆针调节曲柄组件	Adjusting crank component
11	GS214-8	*	*	*	*	*	*	*	*	*	*	*	*	*	*	*	1	摆针调节曲柄套螺钉	Screw of adjusting crank sleeve
12	GR296-8	*	*	*	*	*	*	*	*	*	*	*	*	*	*	*	1	摆针定位块	Locating block of swaying needle
	GR459-8																1	摆针定位块	Locating block of swaying needle
13	GX154-8	*	*	*	*	*	*	*	*	*	*	*	*	*	*	*	1	摆针导块连接销	Connecting pin of guide
14	GH178-8	*	*	*	*	*	*	*	*	*	*	*	*	*	*	*	1	摆针调节连杆	Adjustable connecting bar
15	GS216-8	*	*	*	*	*	*	*	*	*	*	*	*	*	*	*	3	差动连杆连接螺钉	Connecting screw of differential connecting
16	GR392/2-8	*	*	*	*	*	*	*	*	*	*	*	*	*	*	*	1	摆针扳手组件	Spanner of swaying needle component
17	GR731/2-8																1	摆针扳手组件	Spanner of swaying needle component
18	GO179-8	*	*	*	*	*	*	*	*	*	*	*	*	*	*	*	1	摆针扳手轴套	Spanner sleeve
	GO286-8																1	摆针扳手轴套	Spanner sleeve
19	GO211-8	*	*	*	*	*	*	*	*	*	*	*	*	*	*	*	1	摆针扳手轴套垫圈	Washer of spanner sleeve
20	GO178-8	*	*	*	*	*	*	*	*	*	*	*	*	*	*	*	1	摆针扳手定位挡圈	Locating retainer of spanner
21	GR218-8	*	*	*	*	*	*	*	*	*	*	*	*	*	*	*	2	摆针扳手定位挡圈螺钉	Screw of locating retainer of spanner
22	GR394-8																1	单边曲折调节架	Adjusting rack
	GR1427-8																1	单边曲折调节架	Adjusting rack
23	GS223-8																2	单边曲折调节架螺钉	Screw
24	GS281-8																1	单边曲折定位钉	Locating pin of adjusting rack
	GS701-8																2	单边曲折定位钉	Locating pin of adjusting rack
25	GL163-8																1	单边曲折定位钉螺母	Locating pin nut of adjusting rack
	GR235-8																1	单边曲折定位钉螺母	Locating pin nut of adjusting rack
26	GR411-8																1	单边曲折手柄	Handle component
	GR729-8																1	单边曲折手柄	Handle component
27	GR395-8																1	单边曲折定位架	Locating rack
	GR468-8																2	单边曲折定位架	Locating rack
	GR1427-8																2	单边曲折定位架	Locating rack
28	GS273-8																1	单边曲折定位架螺钉	Screw of locating rack
29	GO217-8																1	单边曲折定位架垫圈	Washer of locating rack

摆针花模组件

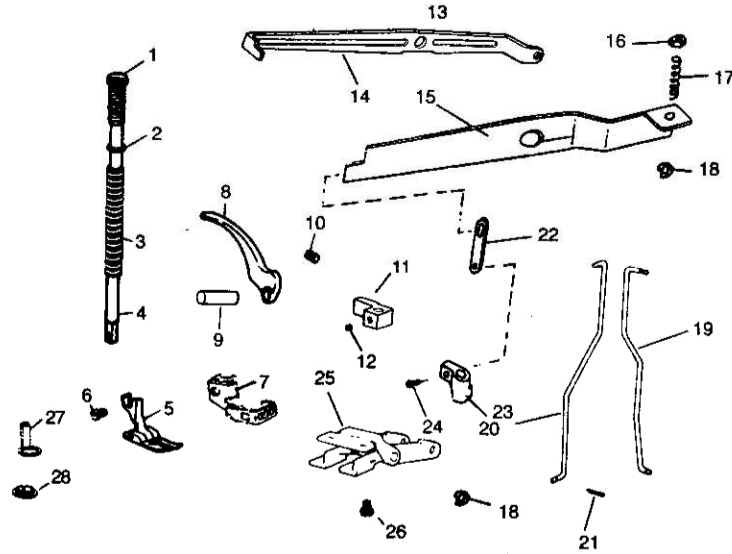
COMPONENTS OF SWAYING NEEDLE



序号 NO	件号 PART NO.	20U23	20U23D	20U33	20U43	20U53	20U53A	20U53B	20U53-E	20U63	20U143	457A	457B	457C	457D	数量 QTY	名称 DESCRIPTION
1	GO180-8	*	*	-	-	-	-	-	-	-	-	-	-	-	-	1	摆针轴套 Sleeve of swaying needle
2	GS199-8	*	*	-	-	-	-	-	-	-	-	-	-	-	-	1	摆针轴固定螺钉 Fastening screw of swaying needle shaft
3	GS147-8	*	*	-	-	-	-	-	-	-	-	-	-	-	-	1	摆针轴套螺钉 Screw of sleeve of swaying needle
4	GC146-8	*	*	*	*	*	*	*	*	*	*	*	*	*	*	1	摆针齿轮 Gear of swaying needle
5	GO181-8	*	*	*	*	*	*	*	*	*	*	*	*	*	*	1	偏心挡圈 Eccentric retainer
6	GO212-8	*	*	*	*	*	*	*	*	*	*	*	*	*	*	1	偏心挡圈 Eccentric retainer
7	GS221-8	*	*	*	*	*	*	*	*	*	*	*	*	*	*	2	摆针偏心凸轮连接螺钉 Connecting screw of eccentric cam
8	GT145-8	*	*	-	-	-	-	-	-	-	-	-	-	-	-	1	摆针偏心凸轮 Eccentric cam
9	GT151-8	-	-	-	-	-	-	-	-	-	-	-	-	-	-	1	摆针偏心凸轮 Eccentric cam
10	GT181-8	-	-	-	-	-	-	-	-	-	-	-	-	-	-	1	摆针偏心凸轮 Eccentric cam
11	GO182-8	*	*	-	-	-	-	-	-	-	-	-	-	-	-	1	摆针偏心凸轮后挡圈 Back retainer of eccentric cam
12	GO213-8	*	*	-	-	-	-	-	-	-	-	-	-	-	-	1	摆针偏心凸轮后挡圈 Back retainer of eccentric cam
13	GO183-8	*	*	*	*	*	*	*	*	*	*	*	*	*	*	1	摆针轴挡圈 Retainer of swaying needle shaft
14	GS223-8	*	*	*	*	*	*	*	*	*	*	*	*	*	*	2	摆针轴挡圈螺钉 Screw of retainer of swaying shaft
15	GZ177-8	*	*	-	-	-	-	-	-	-	-	-	-	-	-	1	摆针轴 Swaying needle shaft
16	GZ203-8	-	-	-	-	-	-	-	-	-	-	-	-	-	-	1	摆针轴 Swaying needle shaft
17	GZ219-8	-	-	-	-	-	-	-	-	-	-	-	-	-	-	1	摆针轴 Swaying needle shaft
18	GS147-8	-	-	*	*	*	*	*	*	*	*	*	*	*	*	1	摆针轴螺钉 Screw of swaying needle shaft
19	GS166-8	-	-	-	-	-	-	-	-	-	*	*	*	*	*	1	倒牙螺钉 Left-hand screw
20	GO226-8	-	-	-	-	-	-	-	-	-	*	*	*	*	*	1	斜齿轮套 Leaning gear sleeve
21	GR461/2-8	-	-	-	-	-	-	-	-	-	*	*	*	*	*	1	花模组件 Cam component
22	GR1314/2-8	-	-	-	-	-	-	-	-	-	*	*	*	*	*	1	花模组件 Cam component
23	GR1881/2-8	-	-	-	-	-	-	-	-	-	*	*	*	*	*	1	花模组件 Cam component
24	GS202-8	-	-	-	-	-	-	-	-	-	*	*	*	*	*	1	花模套螺钉 Sleeve screw of cam component
25	GC149-8	-	-	-	-	-	-	-	-	-	*	*	*	*	*	1	斜齿轮 Leaning gear
26	GC175-8	-	-	-	-	-	-	-	-	-	*	*	*	*	*	1	斜齿轮 Leaning gear
27	GR458/3-8	-	-	-	-	-	-	-	-	-	*	*	*	*	*	1	拨叉驱动杆组件 Regulator fork drive lever component
28	GS285-8	-	-	-	-	-	-	-	-	-	*	*	*	*	*	1	驱动杆螺钉 Screw of drive lever
29	GR460/3-8	-	-	-	-	-	-	-	-	-	*	*	*	*	*	1	从动杆组件 Following lever component
30	GS020	-	-	-	-	-	-	-	-	-	*	*	*	*	*	1	从动杆螺钉 Screw of following lever
31	GO164-8	-	-	-	-	-	-	-	-	-	*	*	*	*	*	1	从动轴挡圈 Washer of following lever
32	GS202-8	-	-	-	-	-	-	-	-	-	*	*	*	*	*	1	挡圈螺钉 Washer screw
33	GW178-8	-	-	-	-	-	-	-	-	-	*	*	*	*	*	1	拉簧 Spring
34	GR243	-	-	-	-	-	-	-	-	-	*	*	*	*	*	1	橡皮塞 Rubber cap
35	GZ222-8	-	-	-	-	-	-	-	-	-	*	*	*	*	*	1	从动轴 Following shaft

压脚组件

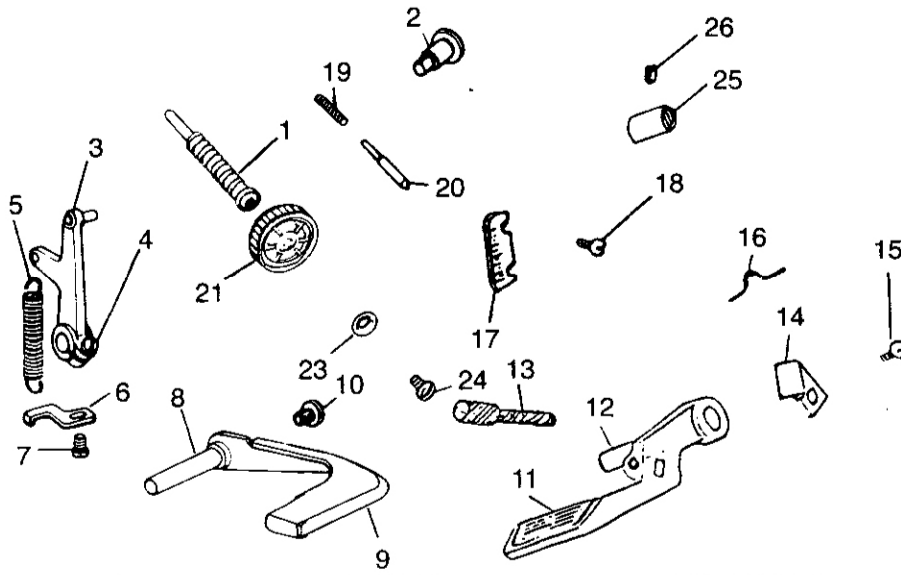
COMPONENTS OF PRESSER FOOT



序号 NO	件号 PART NO.	20J23	20J23D	20J33	20J43	20J53	20J53A	20J53B	20J53-5	20J63	20J143	457A	457B	457C	457D	数量 QTY	名称 DESCRIPTION
1	GS234-8	*	*	*	*	*	*	*	*	*	*	*	*	*	*	1	调压螺钉 Screw for presser-adjusting
2	GS384-8	*	*	*	*	*	*	*	*	*	*	*	*	*	*	1	调压螺钉 Screw for presser-adjusting
3	GC178-8	*	*	*	*	*	*	*	*	*	*	*	*	*	*	1	调压螺母 Screw for presser-adjusting
4	GW153-8	*	*	*	*	*	*	*	*	*	*	*	*	*	*	1	压杆簧 Presser bar spring
5	GZ187-8	*	*	*	*	*	*	*	*	*	*	*	*	*	*	1	压杆 Presser bar
6	GB465/4-8	*	*	*	*	*	*	*	*	*	*	*	*	*	*	1	压脚组件 Presser foot component
7	GR327/4-8	*	*	*	*	*	*	*	*	*	*	*	*	*	*	1	压脚组件 Presser foot component
8	GR531/4-8	*	*	*	*	*	*	*	*	*	*	*	*	*	*	1	压脚组件 Presser foot component
9	GM206-8	*	*	*	*	*	*	*	*	*	*	*	*	*	*	1	高低斜压脚 Presser foot
10	GS231-8	*	*	*	*	*	*	*	*	*	*	*	*	*	*	1	压脚螺钉 Screw of presser foot
11	GR1000-8	*	*	*	*	*	*	*	*	*	*	*	*	*	*	1	保针架 Finger guard
12	GR1001-8	*	*	*	*	*	*	*	*	*	*	*	*	*	*	1	保针架 Finger guard
13	GR322-8	*	*	*	*	*	*	*	*	*	*	*	*	*	*	1	压脚扳手 Spanner
14	GR733-8	*	*	*	*	*	*	*	*	*	*	*	*	*	*	1	压脚扳手 Spanner
15	GX183-8	*	*	*	*	*	*	*	*	*	*	*	*	*	*	1	压脚扳手销 Spanner pin
16	GX166-8	*	*	*	*	*	*	*	*	*	*	*	*	*	*	1	压脚扳手销 Spanner pin
17	GS232-8	*	*	*	*	*	*	*	*	*	*	*	*	*	*	1	压脚扳手销螺钉 Spanner pin screw
18	GR324-8	*	*	*	*	*	*	*	*	*	*	*	*	*	*	1	压杆导架 Presser bar bracket
19	GR398-8	*	*	*	*	*	*	*	*	*	*	*	*	*	*	1	压杆导架 Presser bar bracket
20	GS232-8	*	*	*	*	*	*	*	*	*	*	*	*	*	*	1	压杆导架螺钉 Screw of bracket
21	GS235-8	*	*	*	*	*	*	*	*	*	*	*	*	*	*	1	抬压脚杆螺钉 Screw of presser foot lever
22	GZ204-8	*	*	*	*	*	*	*	*	*	*	*	*	*	*	1	抬压脚杆 Presser foot lever
23	GZ217-8	*	*	*	*	*	*	*	*	*	*	*	*	*	*	1	抬压脚杆 Presser foot lever
24	GZ188-8	*	*	*	*	*	*	*	*	*	*	*	*	*	*	1	抬压脚杆 Presser foot lever
25	GL154-8	*	*	*	*	*	*	*	*	*	*	*	*	*	*	1	抬压脚杆螺母 Presser bar nut
26	GW154-8	*	*	*	*	*	*	*	*	*	*	*	*	*	*	2	抬压脚杆弹簧 Presser bar spring
27	GO193-8	*	*	*	*	*	*	*	*	*	*	*	*	*	*	1	拉杆弹性挡圈 Presser bar washer
28	GZ190-8	*	*	*	*	*	*	*	*	*	*	*	*	*	*	1	膝提横针拉杆 Rod of horizontal needle
29	GZ206-8	*	*	*	*	*	*	*	*	*	*	*	*	*	*	1	膝提横针拉杆 Rod of horizontal needle
30	GZ189-8	*	*	*	*	*	*	*	*	*	*	*	*	*	*	1	抬压脚杆 Rod of presser foot
31	GZ205-8	*	*	*	*	*	*	*	*	*	*	*	*	*	*	3	抬压脚杆 Rod of presser foot
32	GX184-8	*	*	*	*	*	*	*	*	*	*	*	*	*	*	1	开口销 Open-pin
33	GH191-8	*	*	*	*	*	*	*	*	*	*	*	*	*	*	1	挺线连杆 Connecting bar
34	GR323-8	*	*	*	*	*	*	*	*	*	*	*	*	*	*	1	挺线定位座 Locating base of plate
35	GS233-8	*	*	*	*	*	*	*	*	*	*	*	*	*	*	1	挺线连杆螺钉 Screw of connecting bar
36	GR328/10-8	*	*	*	*	*	*	*	*	*	*	*	*	*	*	1	膝提定位座组件 Knee-control locating base component
37	GS236-8	*	*	*	*	*	*	*	*	*	*	*	*	*	*	1	膝提杆杆座螺钉 Knee-control lever base screw
38	GR539-8	*	*	*	*	*	*	*	*	*	*	*	*	*	*	1	圆形压脚 Presser foot
39	GR540-8	*	*	*	*	*	*	*	*	*	*	*	*	*	*	1	套圈 Ferrule

倒顺针距组件

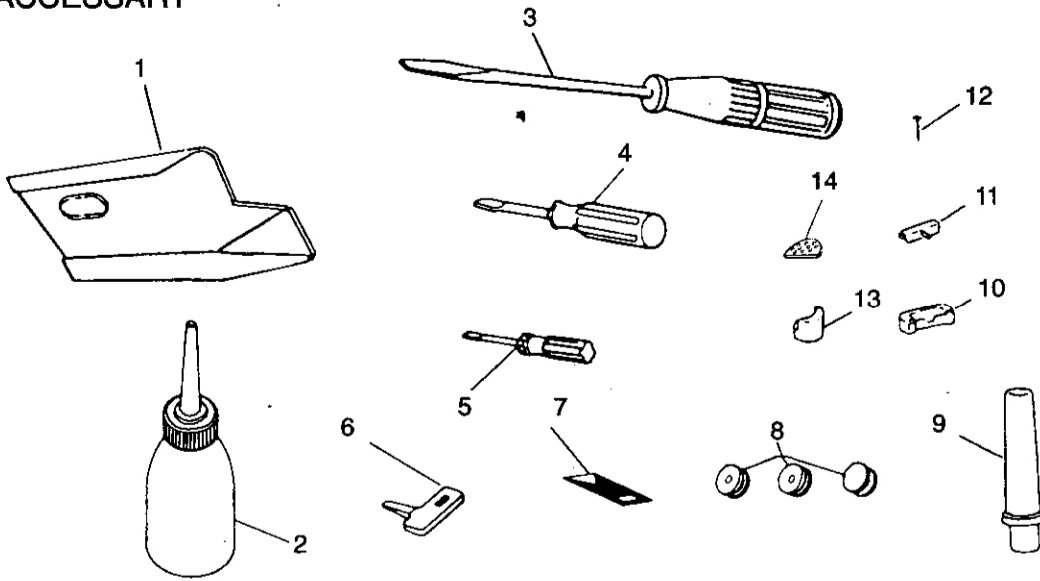
COMPONENTS OF NEEDLE DISTANCE OF REVERSAL STITCH



序号 NO	件号 PART NO.	20U23	20U23D	20U33	20U43	20U53	20U53A	20U53B	20U53S	20U63	20U143	457A	457B	457C	457D	数量 QTY	名称 DESCRIPTION
1	GS248-8	*	*	*	*	*	*	*	*	*	*	*	*	*	*	1	针距调节螺杆 Adjusting screw for needle distance
	GS413-8	-	-	-	-	*	*	*	*	*	*	*	*	*	*	1	针距调节螺杆 Adjusting screw for needle distance
2	GX177-8	*	*	*	*	*	*	*	*	*	*	*	*	*	*	1	针距座销 Needle distance base pin
3	GR342/2-8	*	*	*	*	*	*	*	*	*	*	*	*	*	*	1	倒针曲柄组件 Crank component
4	GS142-8	*	*	*	*	*	*	*	*	*	*	*	*	*	*	1	倒针曲柄螺钉 Crank screw
5	GW166-8	*	*	*	*	*	*	*	*	*	*	*	*	*	*	1	倒针复位拉簧 Restoring extension spring of reversal stitch
6	GR339-8	*	*	*	*	*	*	*	*	*	*	*	*	*	*	1	倒针复位拉簧钩 Spring hook
7	GS256-8	*	*	*	*	*	*	*	*	*	*	*	*	*	*	1	倒针复位拉簧钩螺钉 Screw of spring hook
8	GX178-8	*	*	*	*	*	*	*	*	*	*	*	*	*	*	1	倒针扳手轴 Reversal stitch spanner shaft
9	GR338-8	*	*	*	*	*	*	*	*	*	*	*	*	*	*	1	倒针扳手 Spanner of reversal stitch
10	GS247-8	*	*	*	*	*	*	*	*	*	*	*	*	*	*	1	倒针扳手螺钉 Screw of spanner
11	GR735-8	*	*	*	*	*	*	*	*	*	*	*	*	*	*	1	倒针扳手 Spanner of reversal stitch
12	GZ249-8	*	*	*	*	*	*	*	*	*	*	*	*	*	*	1	倒针扳手轴 Reversal stitch spanner shaft
13	GS385-8	*	*	*	*	*	*	*	*	*	*	*	*	*	*	1	倒针调节螺钉 Regulating screw of reversal stitch
14	GR736-8	*	*	*	*	*	*	*	*	*	*	*	*	*	*	1	倒针调节挡板 Regulating plate of reversal stitch
15	GS386-8	*	*	*	*	*	*	*	*	*	*	*	*	*	*	1	调节挡板螺钉 Screw of regulating plate
16	GW200-8	*	*	*	*	*	*	*	*	*	*	*	*	*	*	1	倒针调节螺钉锁紧弹簧 Regulating screw clamping spring
17	GR737-8	*	*	*	*	*	*	*	*	*	*	*	*	*	*	1	倒针调节指示牌 Feed reverse regulating indicating-dial
18	GS42	*	*	*	*	*	*	*	*	*	*	*	*	*	*	2	倒针调节指示牌螺钉 Screw of indicating-dial
19	GW167-8	*	*	*	*	*	*	*	*	*	*	*	*	*	*	1	针距定位钉压簧 Feed regulating stud lock pin spring
20	GX179-8	*	*	*	*	*	*	*	*	*	*	*	*	*	*	1	针距定位钉 Feed regulating stud lock pin
21	GR399-8	*	*	*	*	*	*	*	*	*	*	*	*	*	*	1	针距旋钮 Feed regulating dial
	GR738-8	*	*	*	*	*	*	*	*	*	*	*	*	*	*	1	针距旋钮 Feed regulating dial
23	GO380-8	*	*	*	*	*	*	*	*	*	*	*	*	*	*	1	针距旋钮螺钉垫圈 Feed regulating dial stud washer
24	GS249-8	*	*	*	*	*	*	*	*	*	*	*	*	*	*	1	针距旋钮螺钉 Feed regulating dial stud
	GS387-8	*	*	*	*	*	*	*	*	*	*	*	*	*	*	1	针距旋钮螺钉 Feed regulating dial stud
25	GO204-8	*	*	*	*	*	*	*	*	*	*	*	*	*	*	1	方牙螺母 Toothed nut
26	GS201-8	*	*	*	*	*	*	*	*	*	*	*	*	*	*	1	方牙螺母支头螺钉 Screw of toothed nut

附件

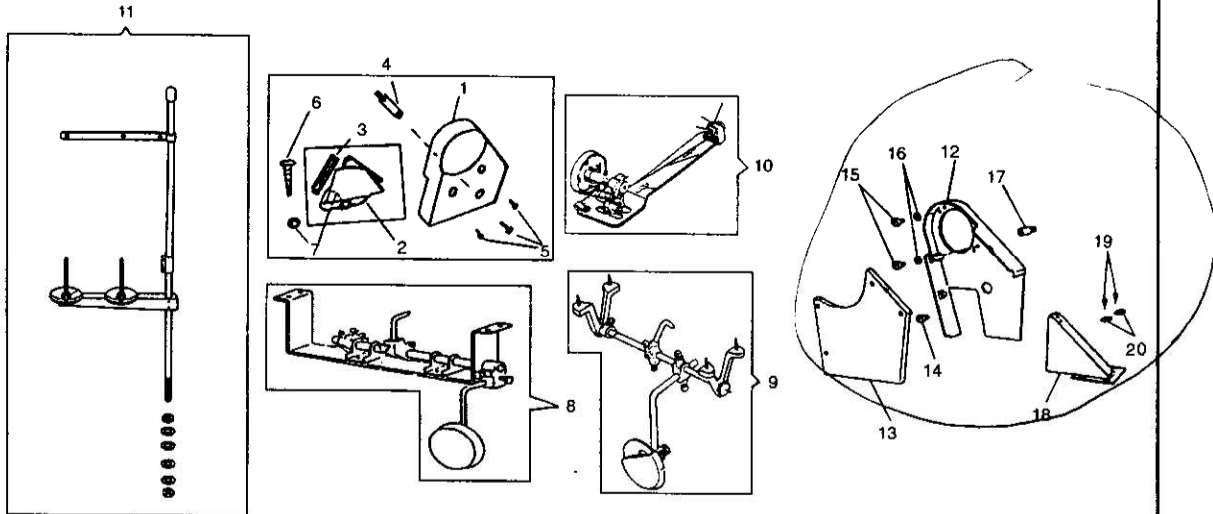
ACCESSORY



序号 NO	件号 PART NO.	20U23	20U23D	20U33	20U43	20U53	20U53A	20U53B	20U53-F	20U63	20U143	457A	457B	457C	457D	数量 QTY	名称 DESCRIPTION	
1	GR351-8	*	*	-	-	-	-	-	-	-	-	-	-	-	-	1	大油盘	Oil reservoir
	GR413-8	-	-	*	*	*	*	*	*	*	*	*	*	*	*	1	大油盘	Oil reservoir
	GR404-8	-	-	-	-	-	-	-	-	-	-	-	-	-	-	1	大油盘	Oil reservoir
2	GF117-8	*	*	*	*	*	*	*	*	*	*	*	*	*	*	1	油壶	Oiler
3	GF114-8	*	*	*	*	*	*	*	*	*	*	*	*	*	*	1	螺丝刀(大)	Screwdriver(L)
4	GF115-8	*	*	*	*	*	*	*	*	*	*	*	*	*	*	1	螺丝刀(中)	Screwdriver(M)
5	GF116-8	-	-	*	*	*	*	*	*	*	*	*	*	*	*	1	螺丝刀(小)	Screwdriver(S)
6	GR788-8	-	-	-	-	-	-	-	-	-	-	-	-	-	-	1	T形开刀	T-type open knife
7	GV130-8	*	*	*	*	*	*	*	*	*	*	*	*	*	*	1包	机针	Needle
8	GN132-8	*	*	*	*	*	*	*	*	*	*	*	*	*	*	3	线心	Bobbin
9	GBR211-8	*	*	*	*	*	*	*	*	*	*	*	*	*	*	1	机头柱	Machine head pole
10	GR1593	*	*	*	*	*	*	*	*	*	*	*	*	*	*	1	机头连接钉座	Machine head hinge cushion rubber
11	GR696/2-8	*	*	*	*	*	*	*	*	*	*	*	*	*	*	1	机头连接钩部件	Machine head hinge complete
12	GBX141-8	*	*	*	*	*	*	*	*	*	*	*	*	*	*	8	机头座圈钉	Oil reservoir nail
13	GBR204-8	*	*	*	*	*	*	*	*	*	*	*	*	*	*	2	机头座垫	Machine head cushion
14	GBR205-8	*	*	*	*	*	*	*	*	*	*	*	*	*	*	2	机头座垫	Machine head cushion

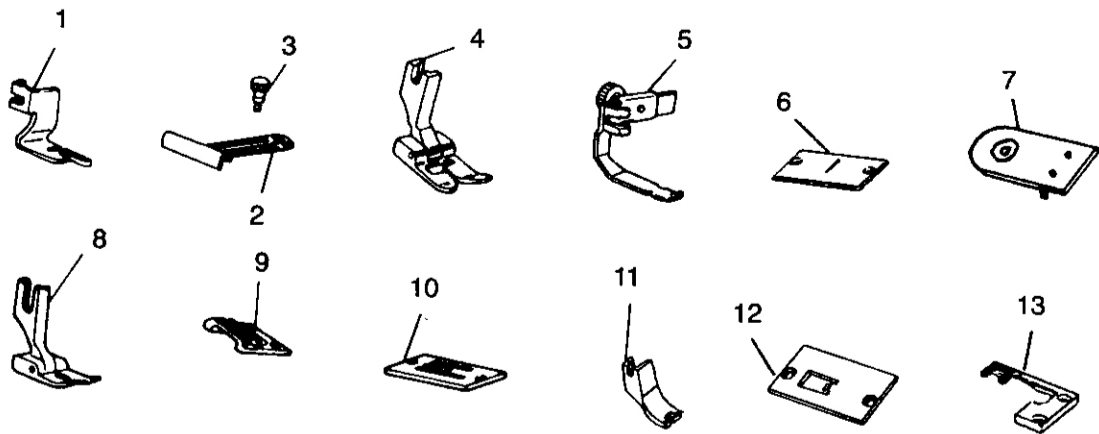
皮带罩、过线器、绕线器、膝提组件

BELT COVER/THREAD-RUNNING COMPONENTS/BOBBIN WINDER/KNEE LIFTER ASSEMBLY



序号 NO	件号 PART NO.													数量 QTY	名称 DESCRIPTION				
		20U23	20U23D	20U33	20U43	20U53	20U53A	20U53B	20U53C	20U143	457A	457B	457C		457D				
1	GR526-8			*	*				*	*	*	*	*	*	*		1	上轮罩壳	Hand wheel cover
2	GK155-8			*	*				*	*	*	*	*	*	*		1	上轮后罩壳	Hand wheel back cover
3	GK156-8			*	*				*	*	*	*	*	*	*		1	上轮后罩壳盖	Hand wheel back cover cap
4	GS654-8			*	*				*	*	*	*	*	*	*		1	后罩壳支柱	Back cover pole
5	GS360-8			*	*				*	*	*	*	*	*	*		3	罩壳支柱螺钉	Pole screw
6	GBS204-8			*	*				*	*	*	*	*	*	*		2	后罩壳安装木螺钉	Back cover wood screw
7	GBR210-8			*	*				*	*	*	*	*	*	*		2	木螺钉垫圈	Wood screw washer
8	GR1315/18-8			*	*				*	*	*	*	*	*	*		1	膝提组件	Knee lifter complete
9	GR1110/18-8	*	*	*	*				*	*	*	*	*	*	*		1	膝提组件	Knee lifter complete
10	GR759/25-8	*	*	*	*				*	*	*	*	*	*	*		1	绕线器部件	Thread-winding component
11	GR760/25-8	*	*	*	*				*	*	*	*	*	*	*		1	双线团架组件	Thread stand
12	GS3341-8			*	*				*	*	*	*	*	*	*		1	防护罩前盖板	Belt guard (upper)
13	GS2330-8			*	*				*	*	*	*	*	*	*		1	防护罩面盖板	Belt guard (upper) cover
14	GR3342-8			*	*				*	*	*	*	*	*	*		1	防护罩大螺钉	Belt guard (upper) scren
15	GR3343-8			*	*				*	*	*	*	*	*	*		2	防护罩小螺钉	Belt guard (upper) scren
16	GQ2332-8			*	*				*	*	*	*	*	*	*		2	小螺钉垫片	Belt guard (upper) scren washer
17	GS3344-8			*	*				*	*	*	*	*	*	*		1	支承螺钉	Belt guard (upper) scren strnd
18	GR2332-8			*	*				*	*	*	*	*	*	*		1	皮带后罩	Belt guard (lower)
19	GS204-8			*	*				*	*	*	*	*	*	*		2	皮带后罩螺钉	Belt guard (lower) wood screw
20	GR210-8			*	*				*	*	*	*	*	*	*		2	螺钉垫圈	Belt guard (lower) wood screw washer

备用件
STANDBY PARTS



序号 NO	件号 PART NO.													数量 QTY	名称 DESCRIPTION				
		20U23	20U23D	20U33	20U43	20U53	20U53A	20U53B	20U53-E	20U63	20U143	457A	457B		457C	457D			
1	FM108-8	-	-	*	*	*	-	*	*	*	*	*	*	*	*	*	1	包边压脚	Hemmer foot
2	FM105-8	-	-	*	*	*	-	*	*	*	*	*	*	*	*	*	1	包边挡板	Hemmer edge guide
3	GS655-8	-	-	*	*	*	-	*	*	*	*	*	*	*	*	*	1	包边挡板螺钉	Hwm edge guide screw
4	GM172-8	-	-	*	*	*	-	*	*	*	*	*	*	*	*	*	1	扣眼压脚	Buttonhole foot
5	FM109/3-8	-	-	*	*	*	-	*	*	*	*	*	*	*	*	*	1	拉链缝压脚组件	Zipper foot complete
6	GM134-8	-	-	*	*	*	-	*	*	*	*	*	*	*	*	*	1	绣花板	Emboidery plate
7	GM134/4-8	-	-	*	*	*	-	*	*	*	*	*	*	*	*	*	1	绣花板	Emboidery plate
8	FM107/4-8	-	-	*	*	*	-	*	*	*	*	*	*	*	*	*	1	平缝压脚部件	Straight stitch foot complete
9	FM106-8	-	-	*	*	*	-	*	*	*	*	*	*	*	*	*	1	平缝送料牙	Straight stitch feed dog
10	FM104-8	-	-	*	*	*	-	*	*	*	*	*	*	*	*	*	1	平缝针板	Straight stitch throat plate
11	FM103-8	-	-	*	*	*	-	*	*	*	*	*	*	*	*	*	1	包梗压脚	Hem stem presser foot
12	FM100-8	-	-	*	*	*	-	*	*	*	*	*	*	*	*	*	1	包梗针板	Hem stem needle plate
13	FM101-8	-	-	*	*	*	-	*	*	*	*	*	*	*	*	*	1	包梗送料牙	Hem stem feed dog