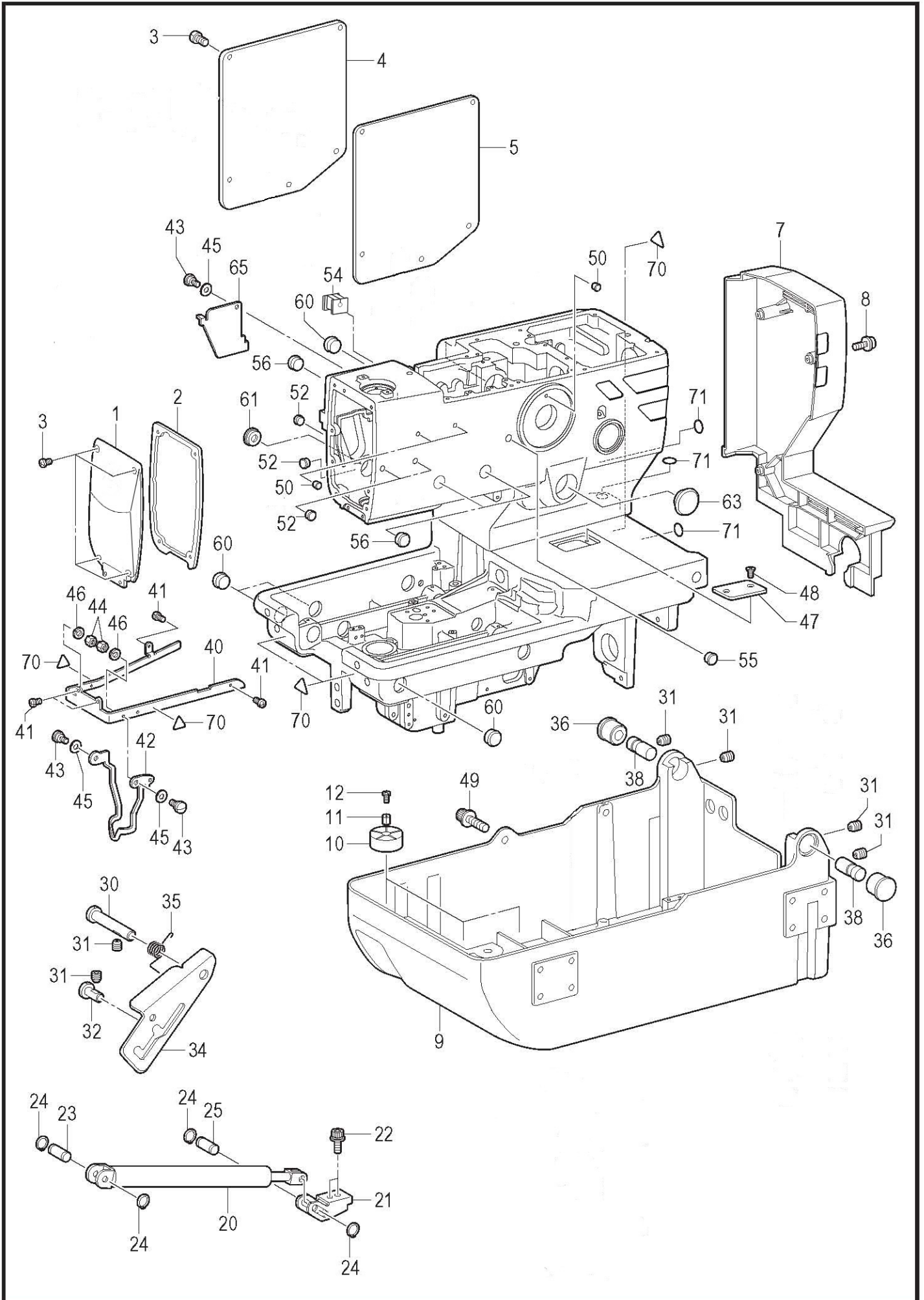


1. 机体部分

Machine body



1. 机体部分

Machine body

序号 No.	件号 Pars No.	名称	NAME OF PARTS	数量 Number
1	20008783	面板	PLATE	1
2	10028119	面板垫片	PLATE PACKING	1
3	10008776	螺钉 M5×12	SCREW PAN M5×12	9
4	20008785	侧板	REAR COVER	1
5	10028120	侧板垫片	REAR COVER PACKING	1
6	10028121	皮带罩	BELT COVER	1
8	10028122	螺栓M4×16DA	SCREW PAN (S/P WASHER) M4×16	4
9	20008787	底板台	BED BASE	1
10	10028123	底座防震垫	BED BASE CUSHION	2
11	10028124	垫圈 4×6.5	SPACER 4×6.5	2
12	10003049	螺钉 M4×12	SCREW BIND M4×12	2
20	10028128	缓冲器	GS SPRING	1
21	10028129	GS支撑板	GS SUPPORT PLATE	1
22	10003108	螺钉 M6×16	BOLT SOCKET(S/P WASHER)M6×16	2
23	10028130	销	SUPPORT PIN	1
24	10027930	轴用挡圈C8	RETAINING RING EXTERNAL C8	4
25	10028132	GS支撑轴	GS SUPPORT SHAFT	1
30	10028133	铰链杆轴	HINGE LEVER SHAFT	1
31	10009187	螺钉 M6×8	SET SCREW SOCKET M6×8	6
32	10028134	铰链支撑轴	HINGE SUPPORT SHAFT	1
34	10028135	头部支撑手柄	HEAD SUPPORT LEVER	1
35	10028136	弹簧	SPRING TWIST	1
36	10028137	铰链B	HINGE B	2
38	10028138	底板铰链轴	BED HINGE SHAFT	2
40	10028139	针导向盖	NEEDLE GUIDE COVER	1
41	10009455	螺钉 M4×8	SCREW PAN M4×8	4
42	10028140	护指器	FINGER GUARD	1
43	10028141	轴位螺钉 M4	SHOULDER SCREW M4	3
44	10005297	螺母M4	NUT 2 M4	2
45	10009470	弹簧垫圈 6	WAVE WASHER 6	3
46	10009503	弹簧垫圈 4	WASHER SPRING 4	2
47	10028143	底板盖	BED COVER	1
48	10028144	螺钉 M4×10	SCREW FLAT M4×10	2
49	10003160	螺栓 M8×30	BOLT SOCKET(S/P WASHER)M8×30	1
50	10028145	橡胶塞 4	RUBBER CAP, 4	3
52	10028146	橡胶塞 8	RUBBER CAP, 8	4
54	10028804	电线套	WIRE COVER	1
55	10028147	橡胶塞 10	RUBBER CAP, 10	1
56	10028148	橡胶塞 18	RUBBER CAP, 18	3
60	10028149	橡胶塞 22	RUBBER CAP, 22	3
61	10028150	橡胶塞 23.5	RUBBER CAP, 23.5	1
63	10028151	橡胶塞	RUBBER CAP	1
65	10028152	窗盖	Z-WINDOW COVER	1
70	40000382	警示标记	INJURY MARK	6
71	10008974	接地标记	LABEL, GROUNDING	4

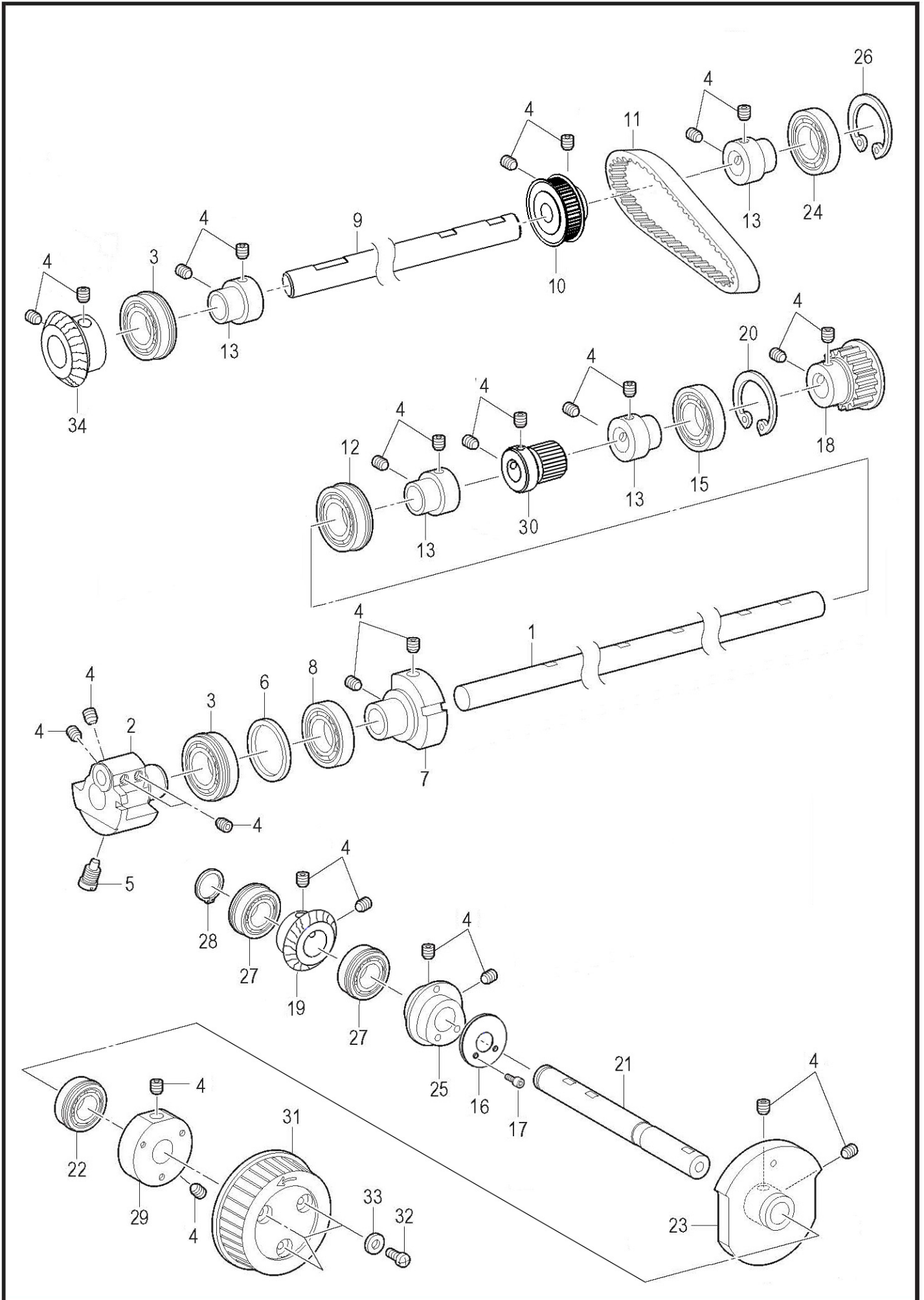
2. 针杆挑线杆装置

Needle bar and thread take-up mechanism

序号 No.	件号 Pars No.	名称	NAME OF PARTS	数量 Number
1	20009516	曲柄连杆组件	CRANK ROD UNIT	1
2	10003586	轴承 608ZZ	BALL BEARING 608ZZ	2
3	10027737	针杆曲柄	NEEDLE BAR CRANK	1
4	10010537	螺钉 SM9/64"×40(左)	SCREW, SM9/64"×40 L	1
5	10027735	曲柄连杆后滑块	SLIDE BLOCK	1
6	10027733	后滑块导轨	SLIDE BLOCK GUIDE B	1
7	10012752	螺钉 M4×10	BOLT SOCKET M4×10	9
8	10027734	前滑块导轨	SLIDE BLOCK GUIDE F	1
9	10032147	垫圈 8×13.5×2	WASHER 8×13.5×2	2
10	10027743	针杆挡块	NEEDLE BAR CLAMP	2
11	10001975	螺钉 M3×12	NEEDLE BAR BRACKET SCREW M3×12	3
12	10027744	垫圈7.94×27×1.5	WASHER 7.94×27×1.5	2
13	10027755	针杆	NEEDLE BAR ASSY	1
15	10027756	针杆过线套	NEEDLE BAR YARN FEEDER	1
16	10028215	针杆下夹线板	NEEDLE THREAD HOLDER PLATE D	1
17	10028216	针杆上夹线板	NEEDLE THREAD HOLDER PLATE U	1
18	10027934	螺钉	SHOULDER SCREW	1
19	10028213	调节弹簧	TENSION SPRING	1
20	10014508	螺钉 SM1/8"×44	SET SCREW SM1/8"×44	1
21	10031977	机针 16#	NEEDLE 16#	1
22	20009517	针杆轴套组件	NEEDLE BAR BUSH ASSY	1
26	10027724	针杆轴套支撑基座	NEEDLE BAR BUSH HOLDER BASE	1
27	10003138	螺钉 M4×16	BOLT SOCKET M4×16	3
28	10027746	针杆寸行拉块架	CROSS HEAD	1
29	10027745	挡圈	NEEDLE BAR BLOCK BRACKET	1
31	10027750	针杆寸行拉块	SLEEVE	1
32	10027759	垫圈 13×26×1.5	WASHER 13×26×1.5	1
34	10027749	针杆齿轮基座	NEEDLE BAR GUAND BLOCK ASSY	1
35	10027751	针杆齿轮基座挡边	PULLEY FLANGE	1
36	10009667	螺钉 M3×6	SCREW, FLAT M3×6	4
37	10027752	针杆定向块	NEEDLE BAR GUIDE COLLAR	2
38	10005295	螺钉 M4×5	SET SCREW SOCKET (CP) M4×5	2
39	10027753	针杆导向销	NEEDLE BAR GUIDE	2
40	10013869	弹簧	NEEDLE BAR GUIDE SPRING	2
41	10027754	针杆导向支撑板	NEEDLE BAR GUIDE SUPPORT PLATE	2
42	10011357	螺钉 M3×6	SCRWE PAN M3×6	2
43	10027931	轴承 6805ZZNR	BALL BEARING 6805ZZNR	2
44	10001466	针杆旋转座吊紧螺母	NEEDLE BAR GUARD NUT	1
45	10001474	螺钉 M3×14	NEEDLE BAR BRACKET SCREW M3×14	1
46	10027747	齿轮螺母盖	GEAR NUT COVER	1
47	20009515	挑线杆组件	THREAD TAKE-UP LEVER UNIT	1
50	10008072	油线 2×2	WICK 2×2	1
51	10007798	油管	OIL TUBE	1
52	40000362	尼龙扎带	FASTENING BAND	1
53		油毡	FELT	1
54	10027729	滚轮	ROLLER	1
55	10027730	滚轮销	ROLLER SHAFT	1
56	10003153	螺钉 M5×5	SET SCREW SOCKET (FT) M5×5	1
57	10027731	挑线杆过线套	THREAD GUIDE	1
58	10027732	挑线杆支撑轴	THREAD TAKE-UP L SUPPORT SHAFT	1
59	10010907	螺钉 M6×6	SET SCREW SOCKET (CP) M6×6	1
60	10027723	针杆护架	NEEDLE BAR GUARD	1
61	10003044	螺钉 M4×6	BOLT SOCKET M4×6	2

3. 上轴装置

Upper shaft mechanism



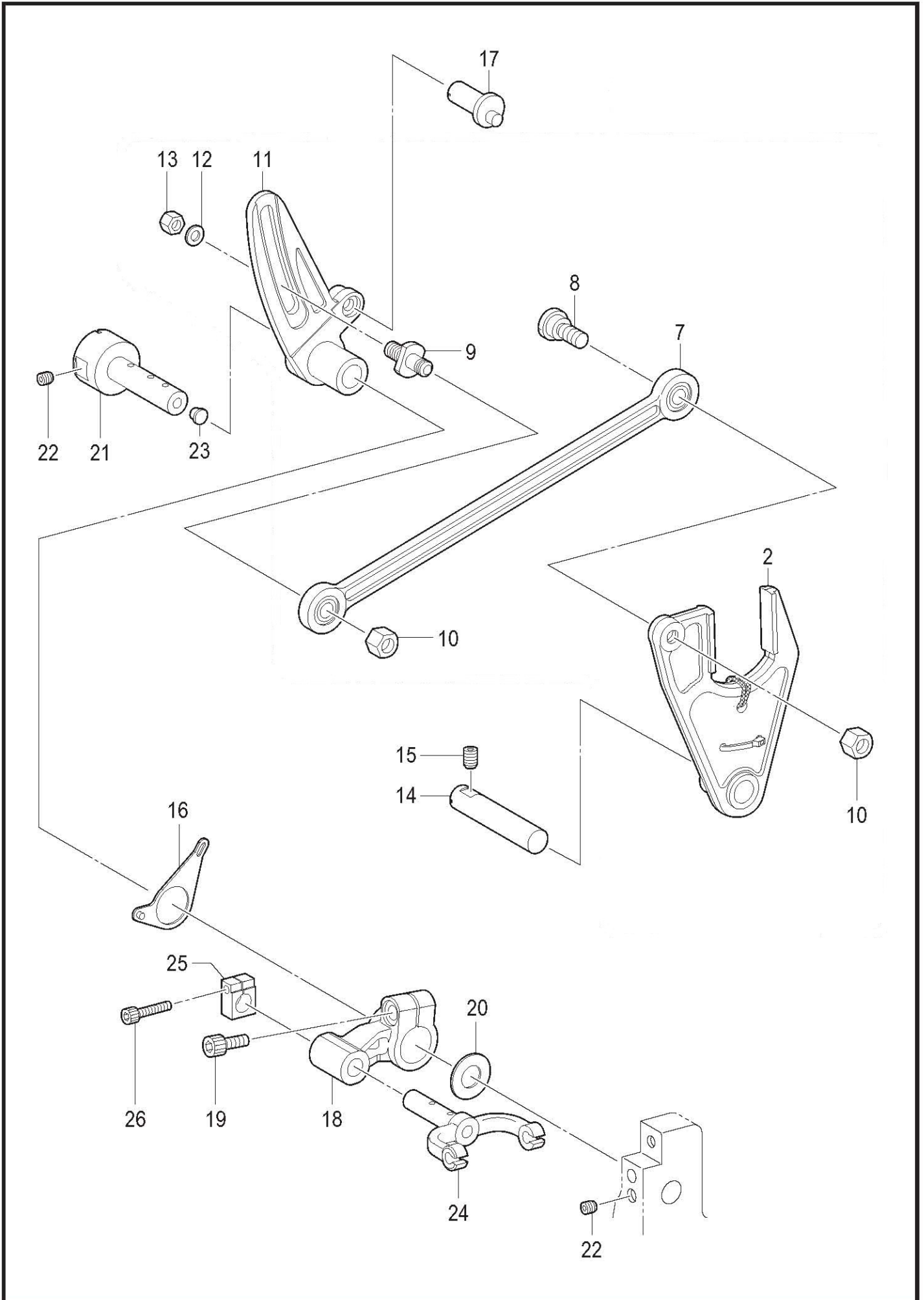
3. 上轴装置

Upper shaft mechanism

序号 No.	件号 Pars No.	名称	NAME OF PARTS	数量 Number
1	10028153	上轴	UPPER SHAFT	1
2	10028154	上轴曲柄	UPPER SHAFT CRANK	1
3	10025882	轴承 6004ZZNR	BALL BEARING 6004ZZNR	2
4	10010907	螺钉 M6×6	SET SCREW SOCKET (FT) M6×6	30
5	10028156	螺钉	SCREW M8	1
6	10028157	垫圈	SPACER	1
7	10028158	平衡块	BALANCE COLLAR	1
8	10003535	轴承 6004ZZ	BALL BEARING 6004ZZ	1
9	10029007	副轴	ASSISTANT SHAFT	1
10	10028172	从动同步带轮组件	DRIVEN TIMING PULLEY ASSY	1
11	10028170	同步带	TIMING BELT	1
12	10025881	6204NR-2RS_BOM轴承	BALL BEARING 6204ZZNR	1
13	10028160	轴承管套	BEARING COLLAR	4
15	10003439	轴承 6304ZZ	BALL BEARING 6304ZZ	1
16	10028173	针摆凸轮挡片	ZIGZAG CAM BAFFLE	1
17	10002975	螺钉 M3×6	SCREW PAN M3×6	2
18	10028161	同步手轮组件	TIMING PULLEY ASSY	1
19	10028175	从动圆弧锥齿轮	DRIVEN ARC HYPOID GEAR	1
20	10028162	挡圈 C52	RETAINING RING INTERNAL C52	1
21	10028163	轴	ORTHOGONAL SHAFT	1
22	10003600	轴承 6202DDUNR	BALL BEARING 6202DDUNR	1
23	10028165	挑线杆凸轮	CAM ROLLER TAKE-UP	1
24	10025876	轴承 6204ZZ	BALL BEARING 6204ZZ	1
25	10028166	针摆凸轮	ZIGZAG CAM	1
26	10007918	挡圈 C47	RETAINING RING INTERNAL C47	1
27	10028167	轴承 6002ZZNR	BALL BEARING 6002ZZNR	2
28	10003290	挡圈 C15	RETAINING RING EXTERNAL C15	1
29	10028168	上轮基座	PULLEY BASE	1
30	10028171	主动同步带轮	DRIVING TIMING PULLEY	1
31	10028169	手轮	PULLEY	1
32	10009455	螺钉 M4×10	SCREW PAN M4×10	3
33	10010967	垫圈 L4	WASHER PLAIN L4	3
34	10028174	主动圆弧锥齿轮	DRIVING ARC HYPOID GEAR	1

4. 针摆装置

Zigzag mechanism



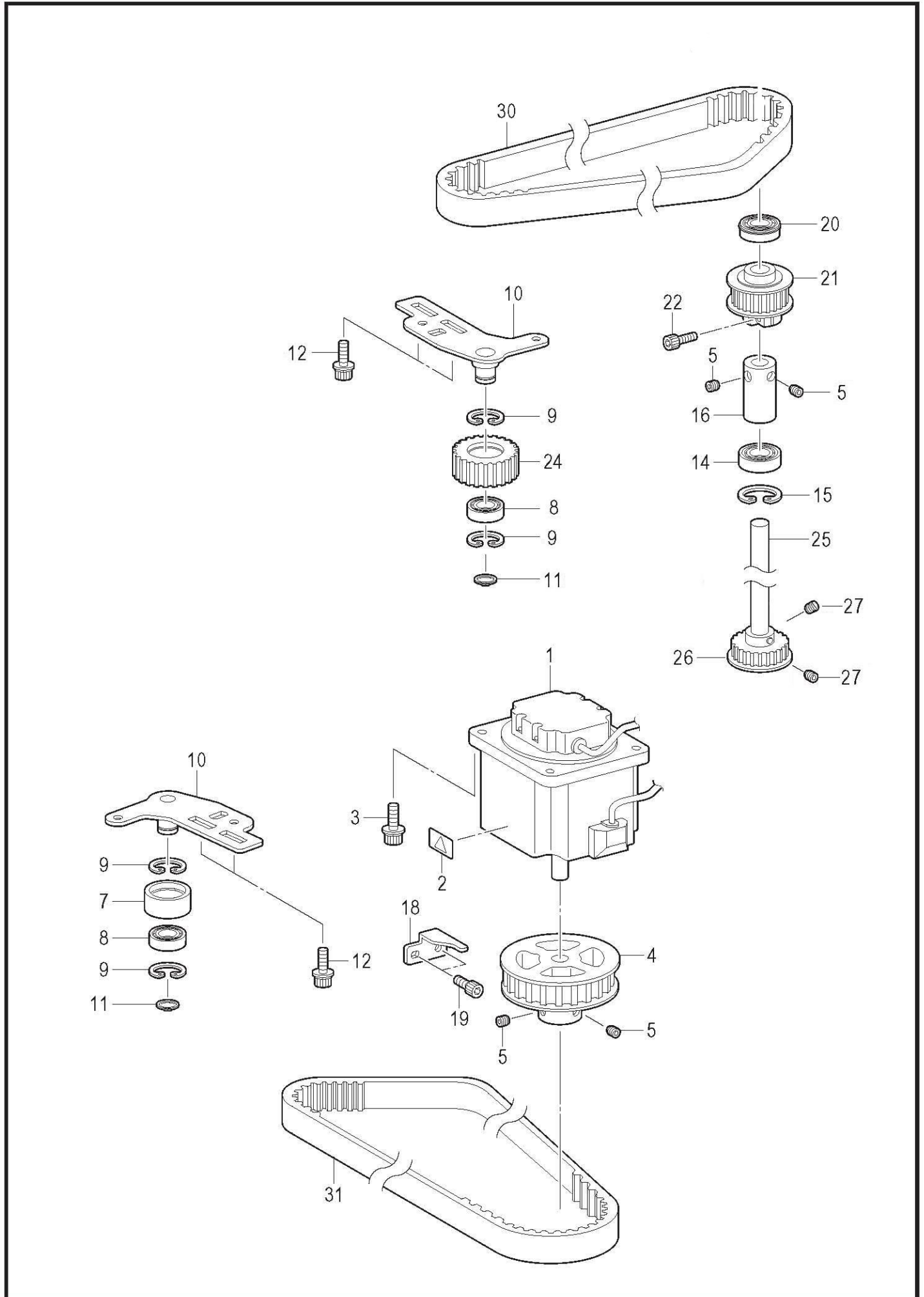
4. 针摆装置

Zigzag mechanism

序号 No.	件号 Pars No.	名称	NAME OF PARTS	数量 Number
2	20010705	针摆叉组件	ZIGZAG FORK ASSY	1
7	10028177	针摆连杆组件	ZIGZAG CONNECTING ROD ASSY	1
8	10028181	轴位螺钉 M6	SHOULDER SCREW M6	1
9	10028182	双头螺栓	ZIGZAG CRANK SCREW	1
10	10003084	螺母 M6	NUT 1 M6	2
11	10028183	针摆曲柄	ZIGZAG CRANK	1
12	10003086	垫圈	WASHER PLAIN	1
13	10003078	螺母 M6	NUT M6	1
14	10028184	针摆叉轴	ZIGZAG FORK SUPPORT SHAFT	1
15	10010907	螺钉 M6×6	SET SCREW SOCKET (FT) M6×6	1
16	10028185	针位调整板组件	N-POSITION CONTROL PLATE ASSY	1
17	10028186	针摆偏心销	Z-ECCENTRIC PIN	1
18	10028187	针摆驱动杆	ZIGZAG DRIVING LEVER	1
19	10003108	螺钉 M6×16	BOLT SOCKET M6×16	1
20	10028188	垫圈	WASHER PLAIN	1
21	10028189	针摆转动轴	ZIGZAG COAXIAL ROCK SHAFT	1
22	10003153	螺钉 M5×5	SET SCREW SOCKET (FT) M5×5	2
23	10028190	堵塞	CAP, 4	1
24	10028191	针摆臂	ZIGZAG LEVER	1
25	10028192	针杆挡块	NEEDLE BAR CLAMP	1
26	10001975	螺钉 M3×12	BOLT SOCKET M3×12	1

5. 针杆转动装置

Needle bar rocking mechanism



5. 针杆转动装置

Needle bar rocking mechanism

序号 No.	件号 Pars No.	名称	NAME OF PARTS	数量 Number
1	10027760	脉冲马达组件	PULSE MOTOR ASSY	1
2		高温标签	LABEL, HIGH TEMP	1
3	10012073	螺钉 M5×16	BOLT SOCKET M5×16	4
4	10027761	送布轮	THETA PULLEY ASSY	1
5	10010907	螺钉 M6×6	SET SCREW SOCKET M6×6	4
7	10027769	弯针座摆动同步带张紧轮	TENSION PULLEY	1
8	10003576	轴承 6000ZZ	BALL BEARING 6000ZZ	2
9	10027928	挡圈 26	RETAINING RING INTERNAL C26	4
10	10027762	张紧轮支架组件	T PULLEY HOLDER ASSY	2
11	10003277	挡圈 10	RETAINING RING EXTERNAL C10	2
12	10001923	螺钉 M4×12	BOLT SOCKET M4×12	4
14	10009786	轴承 6201ZZ	BALL BEARING 6201ZZ	1
15	10003321	挡圈 32	RETAINING RING INTERNAL C32	1
16	10027765	弯针转动轴挡圈	SET SCREW COLLAR	1
18	10027768	马达定位板	MOTOR STOPPER	1
19	10011313	螺钉 M6×12	BOLT SOCKET M6×12	2
20	10003598	轴承 6001ZZNR	BALL BEARING 6001ZZNR	1
21	10027764	弯针转动轴带轮	DRIVING LOOPER SHAFT PULLEY	1
22	10009103	螺钉 M4×16	BOLT SOCKET M4×16	1
24	10027763	针杆摆动同步带张紧轮	TENSION PULLEY	1
25	10027766	弯针转动主带轮轴	DRIVING LOOPER SHAFT ASSY	1
26	10027767	弯针转动主带轮	DRIVING LOOPER PULLEY	1
27	10012162	螺钉 M5×5	SET SCREW SOCKET M5×5	2
30	10027770	针杆摆动同步带	BELT 580-5M-10	1
31	10027771	弯针座摆动同步带	BELT 810-5M-10	1

6. 压脚装置(一)

Presser foot mechanism

序号 No.	件号 Pars No.	名称	NAME OF PARTS	数量 Number
1	20008774	送布台	FEED BAR	1
3	10028023	支点杆板组件	FULCRUM LEVER PLATE	2
4	10028034	针杆接头滑块	NEEDLE BAR GUIDE SLIDE BLOCK	2
5	10028027	摇动杆组件	ROCKER LEVER	2
6	10028030	打开驱动杆组件L	OPENING DRIVING LEVER ASSY L	1
7	10027976	垫圈 6.5×10×0.5	WASHER 6.5×10×0.5	2
8	10013038	挡圈 5	RETAINING RING 5	2
13	10028035	打开驱动杆组件R	OPENING DRIVING LEVER ASSY R	1
16	10027975	螺钉	SHOULDER SCREW M5	6
17	10027977	弹簧	EXTENSION SPRING	1
18	10027978	定位板	STOPPER PLATE OPENING	2
19	10003083	垫圈 4	WASHER PLAIN 4	2
20	10002881	螺钉 M4×8	SCREW PAN M4×8	7
21	10003001	螺钉 M3×10	SCREW PAN M3×10	2
22	10031194	M3止退螺母	SPEED NUT M3	2
23	10027979	定位板 II	STOPPER PLATE II	2
24	10027980	气缸连杆销B	ROD PIN, B:CYLINDER	1
25	10003248	挡圈 3	RETAINING RING 3	6
26	10027981	气缸螺栓	CYLINDER SCREW	1
27	10009668	挡圈 5	RETAINING RING EXTERNAL 5	1
28	10027982	压脚杆轴	CLAMP LEVER SHAFT	2
29	10027983	压脚杆B	CLAMP LEVER, B	2
30	10011376	螺钉 M5×12	BOLT SOCKET M5×12	2
31	10027984	压脚驱动杆	CLAMP DRIVING LEVER	2
32	10008776	螺钉 M5×12	SCREW PAN M5×12	2
34	10027974	气缸	CYLINDER SCREW	2
35	10027941	迷你型快速管接头	JOINT	2
36	10027960	消音器	AIR BOLSTER	2
37	10027985	压脚气缸连杆	CLAMP CYLINDER ROD	2
38	10027986	弹簧挂钩L	SPRING HOOK, L	1
44	10027987	弹簧挂钩R	SPRING SOOK, R	1
45	10027988	气缸连杆销	CYLINDER ROD PIN	2
47	10027989	气缸支架杆	CLAMP CYLINDER SUPPORT	2
48	10002896	螺钉 M4×5	SET SCREW SOCKET (CP) M4×5	2
49	10027990	弹簧	SPRING	2
50	10027991	导向板A	GUIDE PLATE A	5
51	10027992	导向板B	GUIDE PLATE B	1
52	10009667	螺钉 M3×6	SCREW, FLAT M3×6	13
53	10027993	气缸定位座板	OPENING CYLINDER STOPPER	2
54	10030362	螺栓 M4×16	BOLT M4×16	2
55	10009471	螺母 M4	NUT M4	2
57	10009503	垫圈 4	WASHER SPRING 4	4
58	10003681	轴承	LINEAR BUSH	5
59	10003346	挡圈 19	RETAINING RING, EXTERNAL 19	10
60	10027994	Y轴支座	Y BEARING	1
63	10027995	Y导向轴	Y GUIDE SHAFT	1
64	10003153	螺钉 M5×5	SET SCREW SOCKET (FT) M5×5	2
65	10008119	气管 4×2.5-570	AIR TUBE 4×2.5-570	1
66	10008119	气管 4×2.5-450	AIR TUBE 4×2.5-450	1
67	10008119	气管 4×2.5-1100	AIR TUBE 4×2.5-1100	1
68	10008119	气管 4×2.5-1050	AIR TUBE 4×2.5-1050	1
69	10008119	气管 4×2.5-340	AIR TUBE 4×2.5-340	1
70	10008119	气管 4×2.5-50	AIR TUBE 4×2.5-50	1
71	10008119	气管 4×2.5-730	AIR TUBE 4×2.5-730	1
72	10027942	迷你型快速管接头	UNION Y4	1

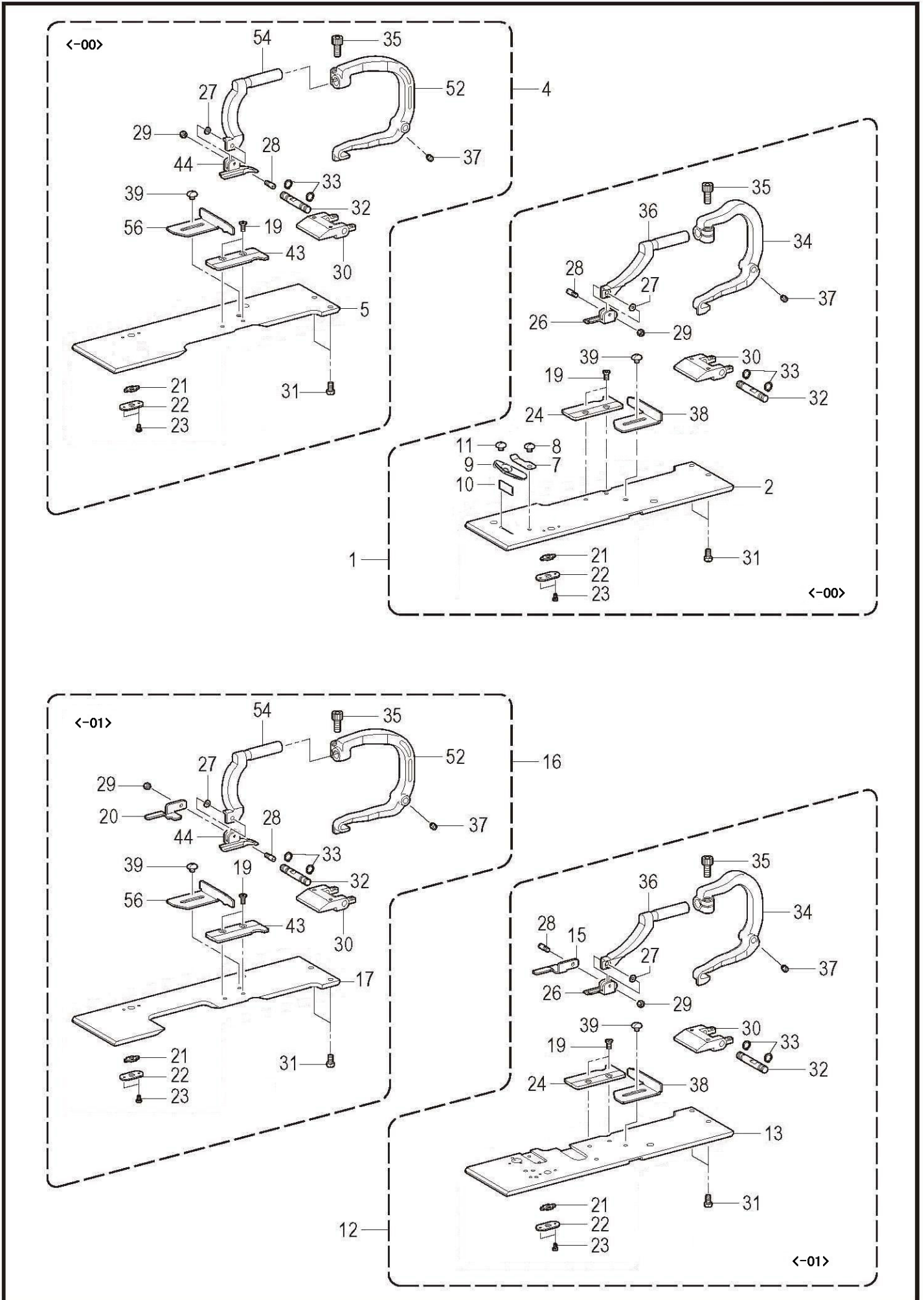
6. 压脚装置 (一)

Presser foot mechanism

序号 No.	件号 Pars No.	名称	NAME OF PARTS	数量 Number
73	40000362	尼龙扎带 3×100	FASTENING BAND 3×100	5
75	10005458	接地线组件	GROUND WIRE	1
76	10001118	螺钉	SCREW, PAN(S/P WASHER) M4×6	1
77	10027996	板夹	PLATE PRESSER	2
78	10027997	段螺钉 M4	SHOULDER SCREW M4	2
79	10009470	垫圈 6	WASHER, BENDING 6	2
81	10027971	气缸	CYLINDER ASSY	1
82	10027941	迷你型快速管接头	JOINT	2
83	10027998	气缸杆	CYLINDER ROD OPENING	1
114	10027960	消音器	QUICK EXHAUST	2
115	10027959	气缸限流器	SPEED CONTROLLER	2
116	10008119	气管 4×2.5-550	AIR TUBE 4×2.5-550	1
117	10008119	气管 4×2.5-200	AIR TUBE 4×2.5-200	1
118	10008119	气管 4×2.5-50	AIR TUBE 4×2.5-50	1
		<用于-01>	<APPLY TO -01>	
20	10002881	螺钉 M4×8	SCREW PAN M4×8	1
101	10028003	板弹簧	FEED BAR PLATE SPRING	1
		<用于-01>	<APPLY TO -01>	
27	10009668	挡圈 5	RETAINING RING EXTERNAL 5	1
48	10002896	螺钉 M4×5	SET SCREW SOCKET(CP) M4×5	1
97	10028001	轴套	G-THREAD TAKE-UP GUIDE COLLER	1
98	10028002	短轴	G-THREAD TAKE-UP GUIDE SHAFT	1
		<用于01>	<APPLY TO -01>	
86	10029404	迷你型快速管接头	ELBOW UNION 4M5	2
89	10027972	气缸	CYLINDER ASSY B 16×30	1
91	10027972	感应器连线组件	LOWER OFF SENSOR ASSY	1
92	10027999	气缸支架	T-TRIM, CYLINDER SUPPORT PLATE	1
93	10028000	气缸手柄	THREAD TRIMMER CYLINDER CLAW	1
94	10005692	螺钉 M4×10	BOLT SOCKET M4×10	2
95	10008119	气管 4×2.5-1300	AIR TUBE 4×2.5-1300	1
96	10008119	气管 4×2.5-1260	AIR TUBE 4×2.5-1260	1
		<用于-00, -01>	<APPLY TO -00, -01>	
24	10027980	气缸连杆销B	ROD PIN, B:CYLINDER	1
25	10003248	挡圈 3	RETAINING RING 3	2
26	10027981	气缸螺栓	CYLINDER SCREW	1
27	10009668	挡圈 5	RETAINING RING EXTERNAL 5	1
65	10008119	气管 4×2.5-570	AIR TUBE 4×2.5-570	1
66	10008119	气管 4×2.5-450	AIR TUBE 4×2.5-450	1
81	10027971	气缸	CYLINDER ASSY	1
83	10027998	气缸杆	CYLINDER ROD OPENING	1
86	10029404	迷你型快速管接头	ELBOW UNION 4M5	2

6. 压脚装置 (二)

Presser foot mechanism



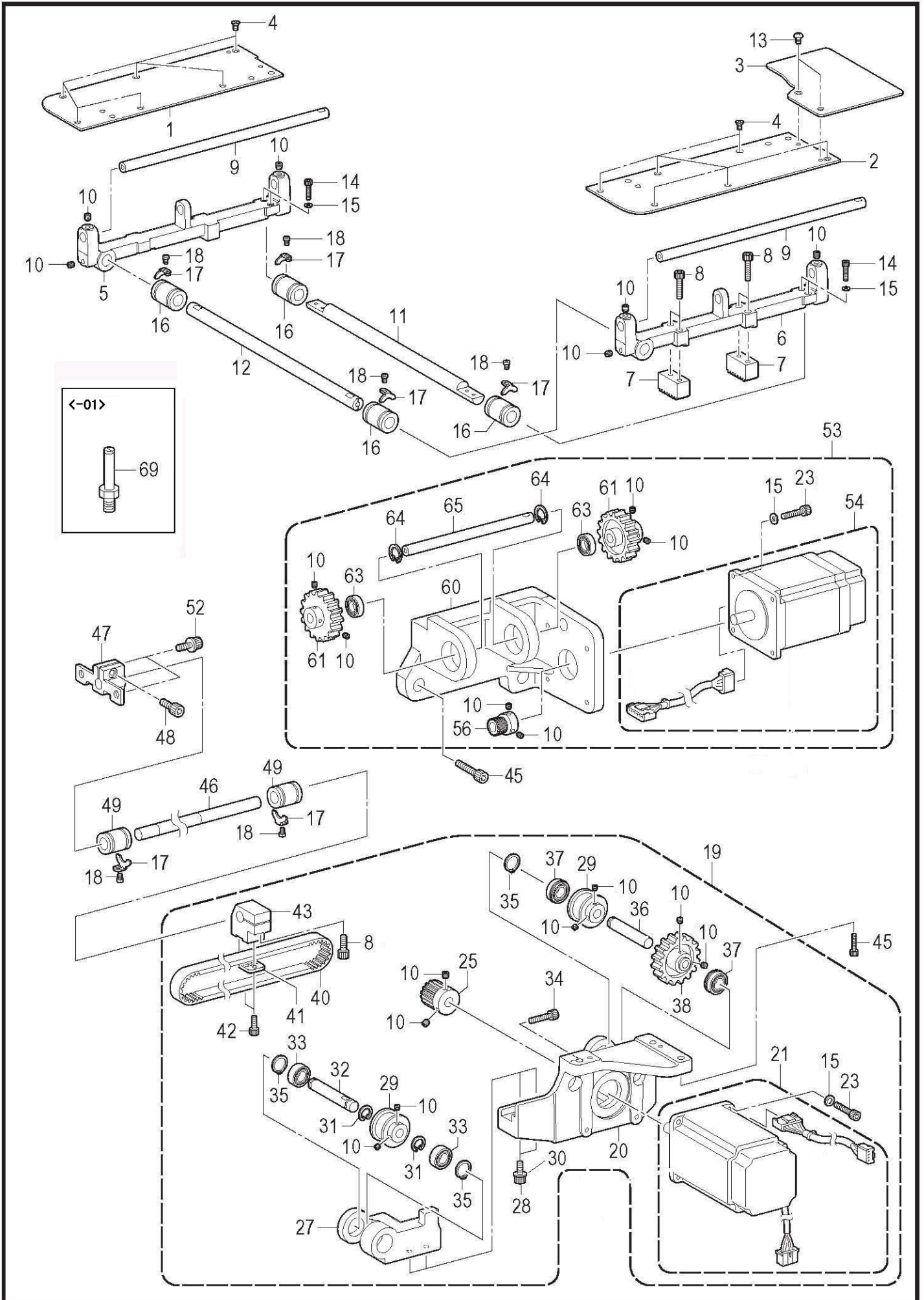
6. 压脚装置(二)

Presser foot mechanism

序号 No.	件号 Pars No.	名称	NAME OF PARTS	数量 Number
19	10009667	螺钉 M3×6	SCREW, FLAT M3×6	4
21	10028006	角块	OPENING SLIDE BLOCK	2
22	10028007	角块支撑板	SLIDE BLOCK SUPPORT PLATE	2
23	10003059	螺钉 M2×4	SCREW BIND M2×4	4
24	10028008	针板 R-42	NEEDLE PLATE R-42	1
26	10028009	压布 R-30	CLOTH WORK CLAMP, R-30	1
27	10007878	弹垫 3	WASHER, BENDING 3	2
28	10028010	支架销	SUPPORT PIN, CLAMP	2
29	10003018	螺母 M3	NUT M3	2
30	10028011	夹轴承受板	CLAMP SHAFT HOLDER	2
31	10002881	螺钉 M4×8	SCREW PAN M4×8	4
32	10028012	支点轴	CLAMP FULCRUM SHAFT	2
33	10006142	挡圈 6	RETAINING RING EXTERNAL C6	4
34	10028013	夹杆R	CLAMP LEVER R	1
35	10011376	螺钉 M5×12	BOLT SOCKET M5×12	2
36	10028014	夹臂R	CLAMP ARM R	1
37	10002896	螺钉 M4×5	SET SCREW SOCKET (CP) M4×5	4
38	10028015	布挡板R	CROTH GUIDE R	1
39	10014454	螺钉M3.5×4	SCREW M3.5×4	2
43	10028016	针板L-42	NEEDLE PLATE L-42	1
44	10028017	压布 L-30	CLOTH WORK CLAMP, L-30	1
52	10028018	夹杆L	CLAMP LEVER L	1
54	10028019	夹臂L	CLAMP ARM L	1
56	10028020	布挡板L	CROTH GUIDE L	1
		<用于-00>	<APPLY TO -00>	
1	20010688	压脚小装配组件R	CLAMP ASSY R	1
2	10031910	右绷料板	WORK CLAMP PLATE RS	1
4	20010687	压脚小装配组件L	CLAMP ASSY L	1
5	10031911	左绷料板	WORK CLAMP PLATE LS	1
7	10031908	底线剪线夹线板	THREAD TENSION PLATE OF LOWER THREAD SHEARED	1
8	10003034	螺钉M3×5	SCREW PAN M3×5	1
9	10031907	底线剪线刀压板	PRESS PLATE OF LOWER THREAD SHEARED	1
10	10031913	美工刀	KNIFE	1
11	10002855	螺钉M4×4	SCREW PAN M4×4	1
		<用于-01>	<APPLY TO -01>	
12	20010789	压脚小装配组件R	CLAMP ASSY R	1
13	10028021	右绷料板	WORK CLAMP PLATE RS	1
15	10028004	压料板R	WORK CLAMP PLATE, R	1
16	20010788	压脚小装配组件L	CLAMP ASSY L	1
17	10028022	左绷料板	WORK CLAMP PLATE LS	1
20	10028005	压料板L	WORK CLAMP PLATE, L	1

7. 送布装置

Feed mechanism



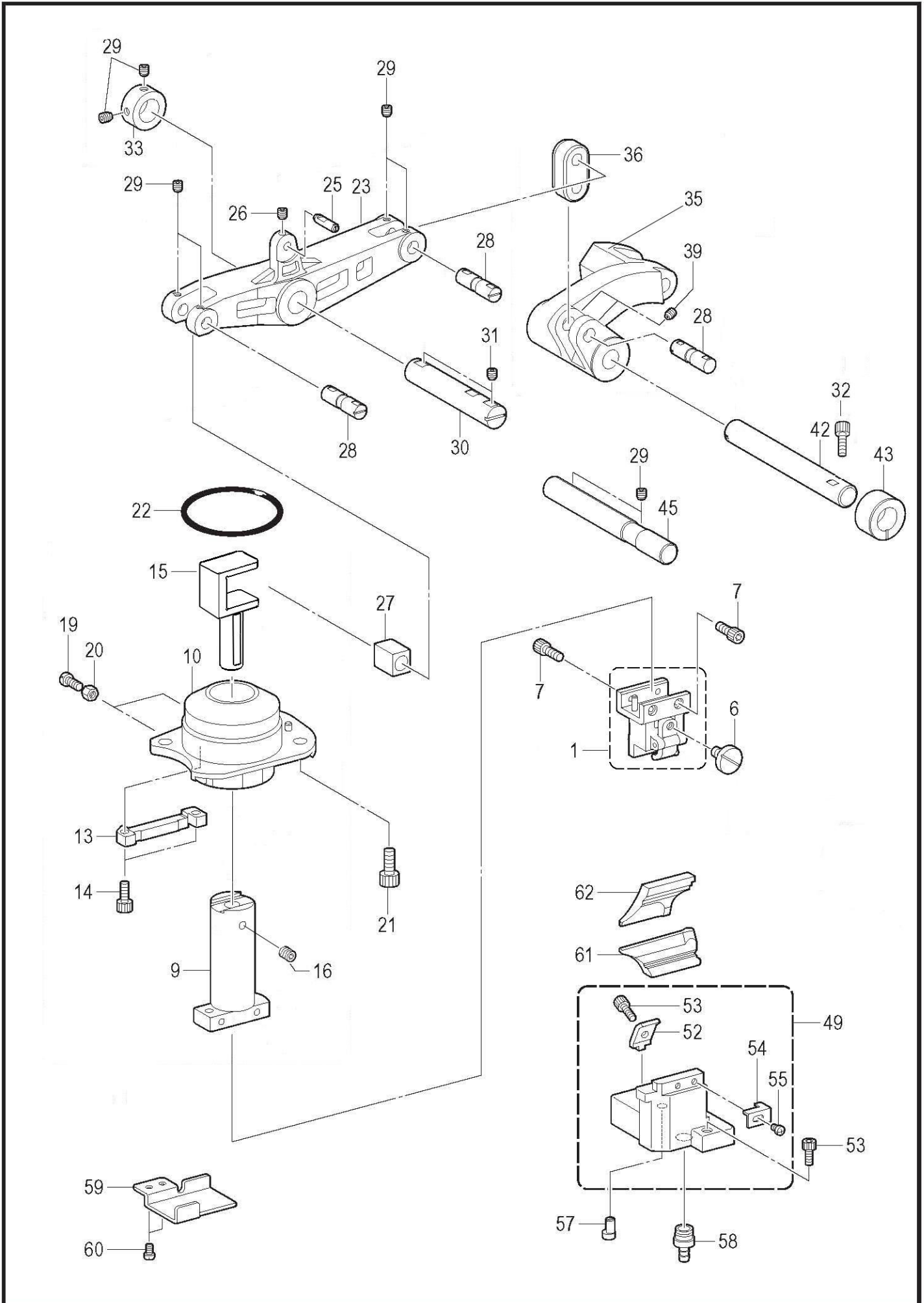
7. 送布装置

Feed mechanism

序号 No.	件号 Pars No.	名称	NAME OF PARTS	数量 Number
1	10027774	送料台盖 (左)	FEED BAR COVER L	1
2	10027775	送料台盖 (右)	FEED BAR COVER R	1
3	10027799	送料台盖U	FEED BAR COVER U	1
4	10028144	螺钉 M4×10	SCREW, FLAT M4×10	14
5	10027776	X方向送料架S	X FEED SHAFT HOLDER S	1
6	10027777	X方向送料架N	X FEED SHAFT HOLDER N	1
7	10027778	齿条	X RACK	2
8	10012073	螺钉 M5×16	BOLT SOCKET M5×16	5
9	10027779	Y送布导向轴	Y FEED GUIDE SHAFT	2
10	10000141	螺钉 M6×6	SET SCREW SOCKET M6×6	20
11	10027780	X送布导向轴A	X FEED GUIDE SHAFT A	1
12	10027781	X送布导向轴B	X FEED GUIDE SHAFT B	1
13	10003039	螺钉 M4×10	BOLT SOCKET M4×10	2
14	10009103	螺钉 M4×16	BOLT SOCKET M4×16	4
15	10003083	垫圈 4	WASHER PLAIN S 4	12
16	10027924	轴承	LINER BUSH, 12	4
17	10027782	线性轴承定位板	BALL BEARING STOPPER	6
18	10000040	螺钉 M3×4	SCREW PAN M3×4	6
19	20010716	Y送料组件	Y FEED ASSY	1
20	10027783	Y送料电机座	Y FEED BASE	1
21	10027772	Y方向脉冲马达	PULSE MOTOR ASSY Y	1
23	10014395	螺钉 M4×14	BOLT SOCKET M4×14	8
25	10027784	Y方向驱动齿轮	DRIVING GEAR Y	1
27	10027785	Y轮基座	Y PULLEY SUPPORT	1
28	10001943	螺钉 M5×20	BOLT SOCKET (S/P WASHER) M5×20	2
29	10027786	缝台前后运动同步带轮	Y TIMING PULLEY ASSY	2
30	10003073	垫圈 5	WASHER PLAIN S 5	2
31	10007859	挡圈 6	RETAINING RING INTERNAL C6	2
32	10027788	Y送料齿轮轴	Y PULLEY SHAFT	1
33	10003546	轴承	BALL BEARING MICRO 8	2
34	10002233	螺钉 M5×25	BOLT SOCKET M5×25	1
35	10027930	挡圈 8	RETAINING RING EXTERNAL C8	3
36	10027787	Y同步轮轴	Y PULLEY SHAFT	1
37	10026126	轴承	BALL BEARING RADIAL	2
38	10027789	Y送料齿轮	IDLER GEAR Y	1
40	10027797	Y方向送料同步带	T BELT	1
41	10027790	皮带支板	BELT HOLDER	1
42	10012553	螺钉 M4×8	BOLT SOCKET M4×8	2
43	10027791	Y驱动轴支架	Y DE\RIVING SHAFT HOLDER	1
45	10003108	螺钉 M6×16	BOLT SOCKET M6×16	6
46	10027796	Y轴	Y SHAFT	1
47	10027798	Y轴支架	Y SHAFT HOLDER	1
49	10003681	轴承	LINEAR BUSH	2
52	10011313	螺钉 M6×12	BOLT SOCKET (S/P WASHER) M6×12	2
53	20010717	X送料组件	X FEED ASSY	1
54	10027773	X方向脉冲马达	PULSE MOTOR ASSY X	1
56	10027792	送料齿轮	FEED GEAR	1
60	10027793	缝台左右运动电机座	X MOTOR SUPPORT	1
61	10027794	X空转齿轮	IDLER GEAR	2
63	10007200	轴承	BALL BEARING	2
64	10027925	挡圈 28	RETAINING RING INTERNAL C28	2
65	10027795	X空转齿轮轴	X IDLER GEAR SHAFT	1
69	10027981	<用于-01> 气缸螺栓	<APPLY TO -01> CYLINDER SCREW	1

8. 切刀装置

Cutter mechanism



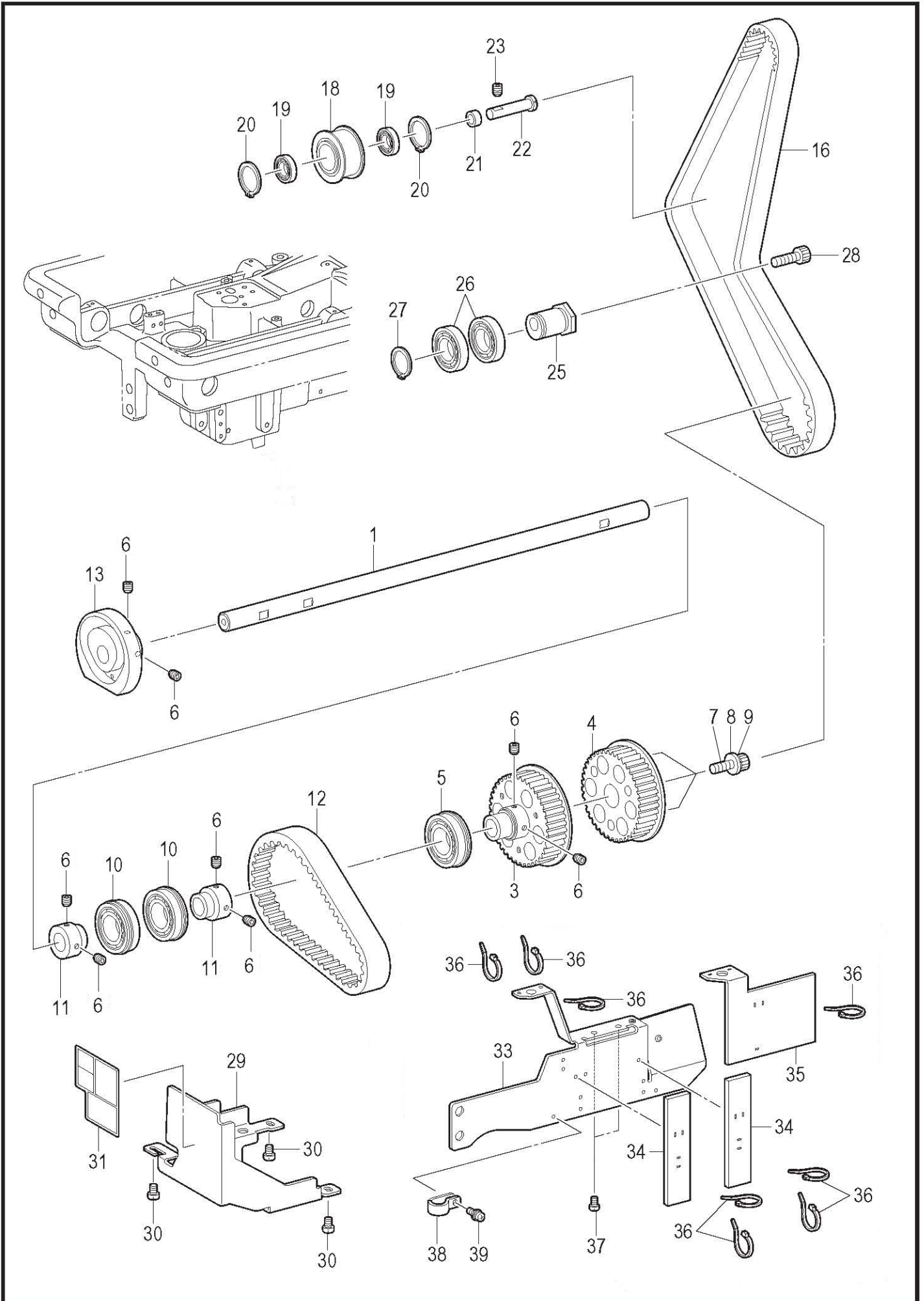
8. 切刀装置

Cutter mechanism

序号 No.	件号 Pars No.	名称	NAME OF PARTS	数量 Number
1	10027800	气锤座组件	HAMMER BRACKET ASSY	1
6	10027803	螺钉 M5×12.5	KNOB SCREW M5×12.5	1
7	10005692	螺钉 M4×10	BOLT SOCKET M4×10	4
9	10027804	气锤轴	CUTTER DRIVING SHAFT	1
10	10032145	切刀轴套组件	BUSH C-SHAFT ASSY	1
13	10027806	切刀动作轴制动架	GUIDE BLOCK	1
14	10001923	螺钉 M4×12	BOLT SOCKET M4×12	2
15	10027807	切刀轴压杆	DRIVING SHAFT PRESSER	1
16	10027588	螺钉 M6×0.75	SET SCREW SOCKET M6×0.75	1
19	10003039	螺钉 M4×10	BOLT M4×10	2
20	10005297	螺母 M4	NUT2 M4	2
21	10011313	螺钉 M6×12	BOLT SOCKET M6×12	3
22	10027815	O形圈	O RING	1
23	10027817	切刀臂	CUTTER ARM	1
25	10027818	切刀臂销	C-SENSOR PIN	1
27	10027819	切刀臂滑块	C-ARM SLIDE BLOCK	1
28	10027820	切刀臂短轴	C-ARM PIN	3
29	10009187	螺钉 M6×8	SET SCREW SOCKET (CP) M6×8	8
30	10027821	切刀臂轴	C-ARM SHAFT	1
31	10003169	螺钉 M6×12	SET SCREW SOCKET (FT) M6×12	2
32	10003158	螺钉 M6×25	BOLT SOCKET M6×25	1
33	10027816	挡圈	SET SCREW COLLAR	1
35	10027822	切刀曲柄	CUTTER LEVER ASSY	1
36	10027826	切刀连接杆	CUTTER LINK	1
39	10011803	螺钉 M5×6	SET SCREW SOCKET (CP) M5×6	3
42	10027823	切刀曲柄轴	CUTTER REVER SHAFT	1
43	10027824	轴套	BUSH C-LEVER SHAFT	1
45	10027825	切刀气缸支撑轴	CYLINDER SUPPORT SHAFT	1
49	10035062	切刀座组件	KNIFE BRACKET UNIT	1
52	10027809	切刀压紧板	KNIFE BLOCK HOLDER	1
53	10012073	螺钉 M5×16	BOLT SOCKET M5×16	4
54	10027810	切刀定位板	BLOCK STOPPER PLATE	1
55	10000040	螺钉	SCREW PAN	1
57	10027811	切刀座偏心销	ECCENTRIC PIN	1
58	10027812	切刀屑接头	KNIFE GARBAGE JOINT	1
59	10027827	管夹板	TUBE GUIDE	1
60	10003047	螺钉 M4×8	SCREW PAN M4×8	1
61	10027814	切刀	KNIFE	1
62	10027813	气锤	HAMMER	1

9. 下轴装置

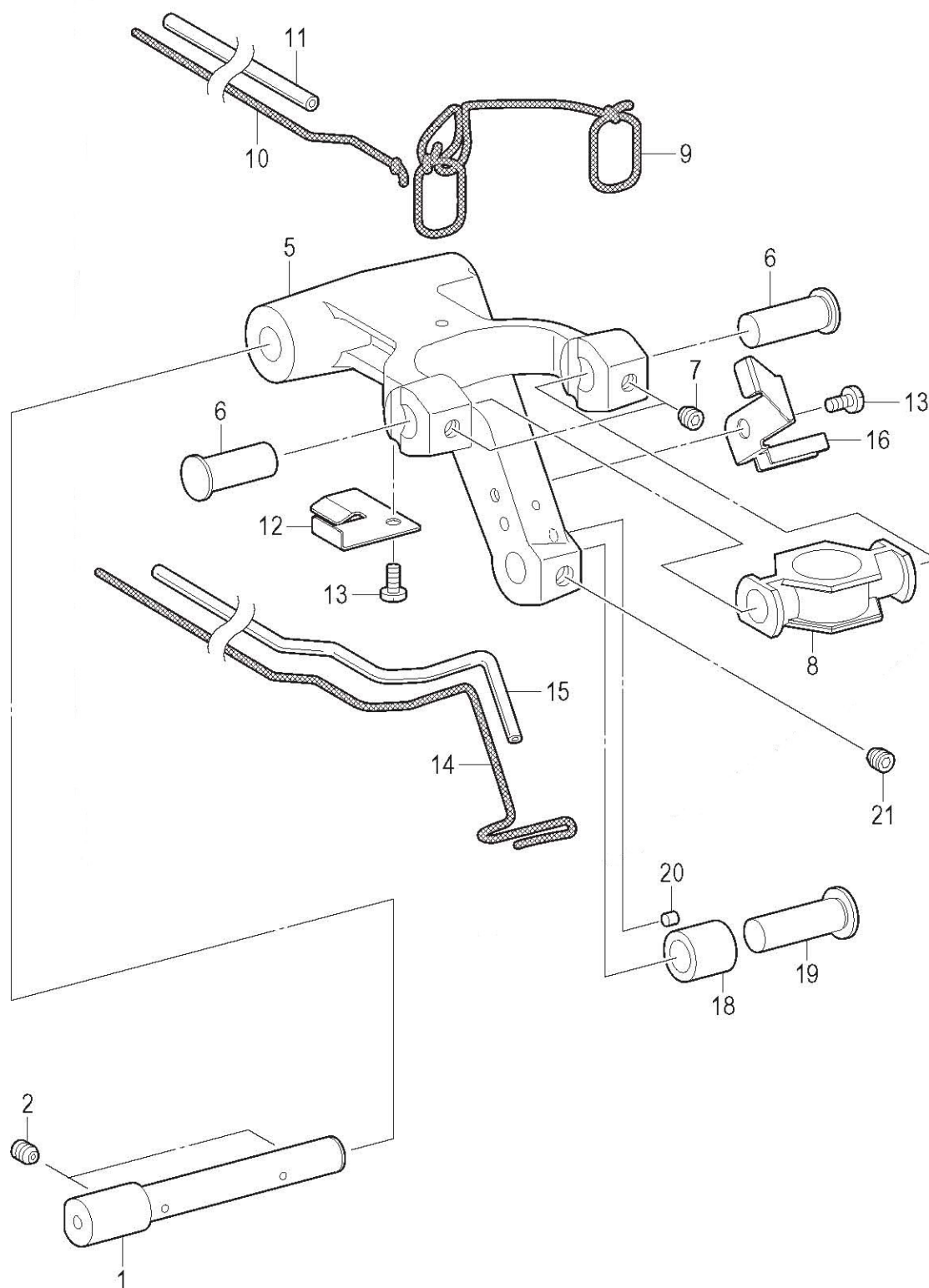
Lower shaft mechanism



9. 下轴装置

Lower shaft mechanism

序号 No.	件号 Pars No.	名称	NAME OF PARTS	数量 Number
1	10027830	下轴	LOWER SHAFT	1
3	10027828	下轴同步带轮A	LOWER SHAFT TENSION PULLEY A	1
4	10027829	下轴同步带轮B	LOWER SHAFT TENSION PULLEY B	1
5	10025882	轴承 6004NR-2RS	BALL BEARING 6004NR-2RS	1
6	10010907	螺钉 M6×6	SET SCREW SOCKET (FT) M6×6	8
7	10001901	螺钉 M6×30	SET SCREW SOCKET (FT) M6×30	3
8	10004936	垫圈 6	SPACER 6	3
9	10003249	弹簧垫圈 6	SPRING SPACER 6	3
10	10025881	6204NR-2RS_BOM轴承	BALL BEARING 6204ZZNR	2
11	10010950	挡圈	BEARING COLLAR	2
12	10027831	下轴转动同步带	BELT	1
13	10027832	下轴凸轮	LOWER SHAFT CAM	1
16	10027833	上轴转动同步带	BELT	1
18	10027834	空转轮	IDLER PULLEY ASSY	1
19	10003586	轴承 608ZZ	BALL BEARING 608ZZ	2
20	10027927	挡圈 22	RETAINING RING INTERNAL C22	2
21	10027835	中同步带轮套	COLLAR	1
22	10027836	空转轮轴	IDLER PULLEY SHAFT	1
23	10009187	螺钉 M6×8	SET SCREW SOCKET (FT) M6×8	1
25	10027837	张紧轮套	TENSION PULLEY COLLER	1
26	10003535	轴承 6004ZZ	BALL BEARING 6004ZZ	2
27	10007916	挡圈 20	RETAINING RING EXTERNAL C20	1
28	10002020	螺钉 M8×40	BOLT SOCKET M8×40	1
29	10027838	下轴凸轮盖	CAM COVER	1
30	10009456	螺钉 M5×8	SCREW PAN	3
31	10033301	底线穿线表	LOWER THREADER LABEL	1
33	10027839	下轴盖板	LOWER SHAFT COVER	1
34	10032162	下轴盖油毡A	LOWER SHAFT COVER FELT A	1
35	10032163	下轴盖油毡B	LOWER SHAFT COVER FELT B	2
36	40000362	尼龙扎带 3×100	FASTENING BAND 3×100	8
37	10003047	螺钉 M4×8	SCREW PAN M4×8	2
38	10008228	SN-3A夹头	CORD HOLDER, SN-3A	1
39	10003044	螺钉 M4×6	SCREW PAN (S/P WASHER) M4×6	1



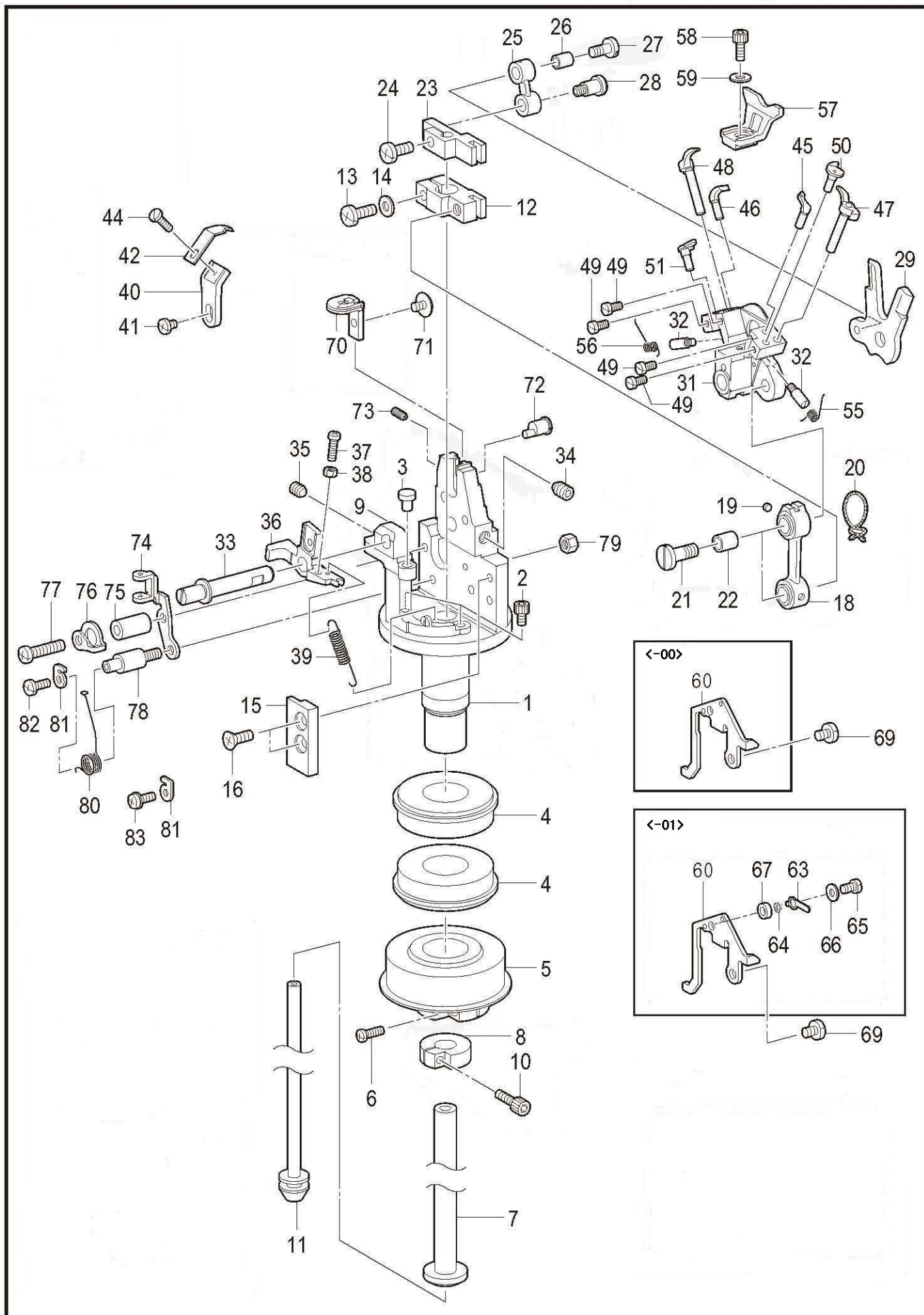
10. 弯针装置

Looper mechanism

序号 No.	件号 Pars No.	名称	NAME OF PARTS	数量 Number
1	10028037	弯针杆轴	LOOPER LEVER SHAFT	1
2	10004949	螺钉 M5×8	SET SCREW SOCKET (CP) M5×8	2
5	10028038	弯针杆	LOOPER LEVER	1
6	10028039	短轴	SHAFT	2
7	10012162	螺钉 M5×5	SET SCREW SOCKET (FT) M5×5	2
8	10028040	弯针动作台	LOOPER DRIVING PLATE	1
9	10008064	油线	WICK	1
10	10008064	油线	WICK	1
11	10007798	油管 $\phi 2.5 \times \phi 3.5$	OIL TUBE $\phi 2.5 \times \phi 3.5$	1
12	10028041	油管夹 A	LOOPER TUBE CLAMP A	1
13	10003048	螺钉 M3×8	SCREW BIND M3×8	2
14	10008090	油线 $\phi 3$	WICK $\phi 3$	1
15	10007799	油管 $\phi 3.5 \times \phi 5$	OIL TUBE $\phi 3.5 \times \phi 5$	1
16	10028042	油管夹B	LOOPER TUBE CLAMP B	1
18	10028043	下轴凸轮管套	LOWER SHAFT CAM COLLER	1
19	10028044	弯针凸轮滚轮轴	LOOPER CAM ROLLER SHAFT	1
20		毡	CHEMICAL FELT	1
21	10000141	螺钉 M6×6	SET SCREW SOCKET (CP) M6×6	1

11. 双链式弯针装置

Double chain stitch looper mechanism

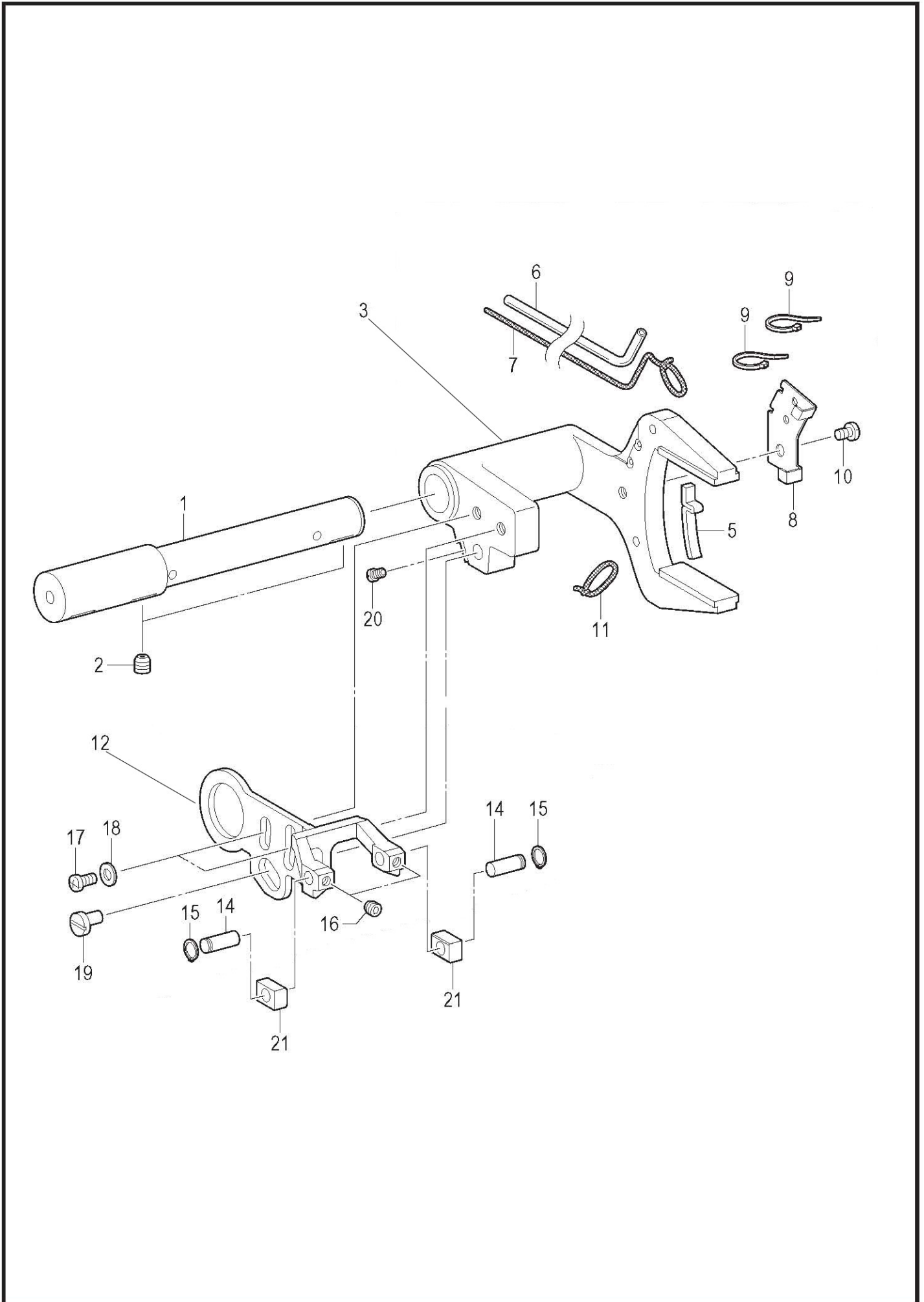


11. 双链式弯针装置

Double chain stitch looper mechanism

序号 No.	件号 No.	Pars	名称	NAME OF PARTS	数量 Number
1	10028086		弯针座	LOOPER BASE	1
2	10001750		螺钉 M4×6	BOLT SOCKET M4×6	2
3	10028045		定位销	INPUT PIN	1
4	10025882		轴承 6004ZZNR	BALL BEARING 6004ZZNR	2
5	10028087		弯针轮组件	LOOPER PULLEY ASSY	1
6	10003046		螺钉 M3×16	SCREW APN M3×16	1
7	10028046		弯针驱动轴	LOOPER DRIVING SHAFT	1
8	10028073		弯针驱动轴挡圈	LOOPER DRIVING SHAFT	1
9	10028085		切刀杆安装座	INSTALL BASE OF CUTTER LEVER	1
10	10001975		螺钉 M3×12	BOLT SOCKET M3×12	1
11	10028093		叉板连杆轴组件	SPREADER LINK SHAFT ASSY	1
12	10028047		弯针连杆支点	LOOPER LINK CLAMP	1
13	10007675		螺钉 M4×14	SCREW BIND M4×14	1
14	10003083		垫圈 4	WASHER PLAIN 4	1
15	10028048		LS滑块导向	LS SLIDE GUIDE	1
16	10028144		螺钉 M4×10	SCREW FLAT M4×10	2
18	10028090		弯针连杆组件	LOOPER LINK ASSY	1
19	10008067		油线	FELT	1
20	10008101		油线	WICK	1
21	10028049		固定螺栓	LOOPER LINK FASTENING SCREW	2
22	10028050		弯针连杆管套	LOOPER LINK COLLER	2
23	10028051		叉板连杆基座	SPREADER LINK BASE	1
24	10003039		螺钉 M4×10	SCREW BIND M4×10	1
25	10028053		叉板凸轮连杆	SPREADER CAM LINK	1
26	10028052		凸轮连杆管套	CAM LINK COLLOR	1
27	10028054		固定螺栓	SHOULDER SCREW	1
28	10028055		轴位螺钉	SHOULDER SCREW	1
29	10028056		叉板作动凸轮	SPREADER DRIVING CAM	1
31	10028057		LS支撑基座	LS HOLDER BASE	1
32	10028058		弹簧导向螺钉	SPRING GUIDE SCREW	2
33	10028059		支撑短轴	HOLDER PRESSER SHAFT	1
34	10009187		螺钉 M6×8	SET SCREW SOCKET (CP) M6×8	1
35	10012162		螺钉 M5×5	SET SCREW SOCKET (FT) M5×5	1
36	10028060		切线杆基座	THREAD TRIMMER LEVER BRACKET	1
37	10003038		螺钉 M3×10	SCREW PAN M3×10	1
38	10003018		螺母 M3	NUT M3	1
39	10028061		U切线弹簧	U THREAD TRIMMER SPRING	1
45	10028064		右弯针	LOOPER, R	1
46	10028065		左弯针	EYE LOOPER	1
47	10028066		右弯针拨线叉	SPREADER, R	1
48	10028067		左弯针拨线叉	SPREADER, L	1
49	10009676		螺钉 M2.5×6	SCREW M2.5×6	4
50	10028068		叉板定位 R	SPREADER STOPPER, R	1
51	10028069		叉板定位 L	SPREADER STOPPER, L	1
55	10028070		叉板弹簧R	SPRING, TWIST R	1
56	10028071		叉板弹簧L	SPRING, TWIST L	1
57	10028072		护针U	NEEDLE GUARE U	1
58	10022620		螺钉 M3×8	BOLT SOCKET M3×8	1
59	10002998		垫圈 3	WASHER PLAIN 3	2
69	10005299		螺钉 M4×5	SCREW PAN M4×5	1
71	10014454		螺钉 M3.5×4	SCREW M3.5×4	1
72	10028079		销	VERTICAL PIN	1
73	10002213		螺钉 M3×8	SET SCREW SOCKET (CP) M3×8	1
74	10028080		底线导线板	THREAD GUIDE PLATE	1
75	10028081		管套	COLLAR	1
76	10028082		L夹线弹簧导向	L TR TAKE-UP SPRING SUPPORT	1
77	10010766		螺钉 M4×20	SCREW PAN M4×20	1
78	10028096		弹簧导向轴	SPRING GUIDE SHAFT	1

79	10009471	螺母 M4	NUT 3 M4	1
80	10028083	夹线弹簧	THREAD TAKE-UP SPRING	1
81	10028084	L夹线弹簧支撑	L TR TAKE-UP SPRING SUPPORT	2
82	10003048	螺钉 M3×8	SCREW BIND M3×8	1
83	10002967	螺钉 M3×8	SCREW PAN(S/P WASHER) M3×8	1
		<用于-00, -01>	<APPLY TO -00, -01>	
40	10028062	上动刀台	UPPER MOVABLE KNIFE	1
41	10000040	螺钉 M3×4	SCREW BIND M3×4	1
42	10028063	上动刀A	UPPER MOVABLE KNIFE, A	1
44	10002960	螺钉 M2.5×3	SCREW M2.5×3	1
		<用于-00, -01>	<APPLY TO -00, -01>	
70	10028078	针板	THROAT PLATE	1
		<用于-00>	<APPLY TO -00>	
60	10028074	芯线导向C	GIMP THREAD GUIDE C	1
		<用于-01>	<APPLY TO -01>	
60	10028074	芯线导向C	GIMP THREAD GUIDE C	1
63	10028075	芯线压板	GIMP THREAD CLAMP PLATE	1
64	10028076	芯线调节弹簧	GIMP THREAD TENSION SPRING	1
65	10003034	螺钉 M3×5	SCREW PAN M3×5	1
66	10002998	垫圈 3	WASHER PLAIN 3	1
67	10028077	管套	COLLAR	1



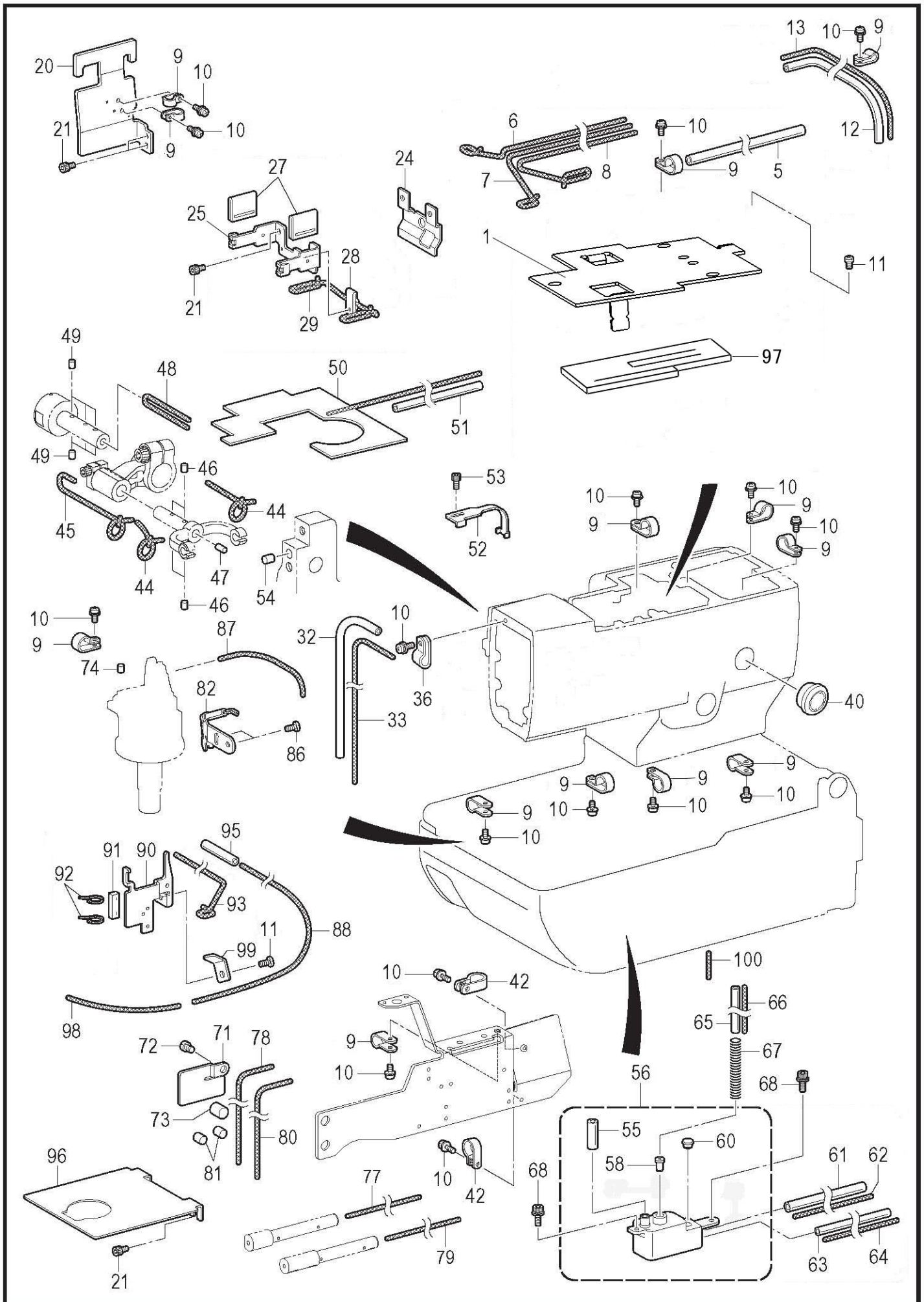
12. 分纱装置

Spreader mechanism

序号 No.	件号 Pars No.	名称	NAME OF PARTS	数量 Number
1	10028097	叉板杆轴	SPREADER LEVER SHAFT	1
2	10003148	螺钉 M5×8	SET SCREW SOCKET (CP) M5×8	2
3	10028103	叉板杆A	SPREADER LEVER A	1
5	10028098	毛毡	SPREADER LEVER FELT	1
6	10007798	油管 $\phi 2.5 \times \phi 3.5$	OIL TUBE $\phi 2.5 \times \phi 3.5$	1
7	10008064	油线 $\phi 1.5$	WICK $\phi 1.5$	1
8	10028099	油管夹板	SPREADER TUBE CLAMP	1
9	40000362	尼龙扎带	FASTENING BAND	2
10	10003006	螺钉 M4×5	SCREW BIND M4×5	1
11	10008101	油线 $\phi 2$	WICK $\phi 2$	1
12	10028104	叉板杆B	SPREADER LEVER B	1
14	10028100	轴	SHAFT	2
15	10006142	挡圈 6	RETAINING RING EXTERNAL C6	2
16	10003153	螺钉 M5×5	SET SCREW SOCKET (FT) M5×5	2
17	10002881	螺钉 M4×8	SCREW PAN M4×8	2
18	10003083	垫圈 4	WASHER PLAIN 4	2
19	10028101	偏心销	ECCENTRIC PIN	1
20	10030363	螺钉 M3.5×5.5	SET SCREW (CP) M3.5×5.5	1
21	10028102	角块	SLIDE BLOCK	2

13. 供油润滑装置

Lubrication



13. 供油润滑装置

Lubrication

序号 No.	件号 Pars No.	名称	NAME OF PARTS	数量 Number
1	10028105	油板 I	OIL PLATE I	1
5	10007796	油管 $\phi 4 \times \phi 6$	OIL TUBE $\phi 4 \times \phi 6$	1
6	10008090	油线 $\phi 3$	WICK $\phi 3$	1
7	10008090	油线 $\phi 3$	WICK $\phi 3$	1
8	10008108	油线 $\phi 6$	WICK $\phi 3$	1
9	10005403	电线夹	CORD HOLDER	10
10	10003875	螺钉	SCREW PAN(S/P WASHER)	16
11	10003044	螺钉 M4×6	SCREW PAN M4×6	7
12	10007794	油管 $\phi 3 \times \phi 5$	OIL TUBE $\phi 3 \times \phi 5$	1
13	10008101	油线 $\phi 2$	WICK $\phi 2$	1
20	10028106	油管压板	TUBE SUPPORT	1
21	10002976	螺钉 M4×6	BOLT SOCKET M4×6	6
24	10028107	挡油板	OIL STOPPER	1
25	10028108	油毡压板	FELT HOLDER	1
27	10032164	针杆油毡	N-BAR YOKE FELT	2
28	10032165	角块供油毡 D	SLIDE BLOCK FELT D	1
29	10008101	油线 $\phi 2$	WICK $\phi 2$	1
32	10007794	油管 $\phi 3 \times \phi 5$	OIL TUBE $\phi 3 \times \phi 5$	1
33	10008101	油线 $\phi 2$	WICK $\phi 2$	1
40	10030772	油窗组件	OIL GAUGE WINDOW	1
42	10001546	电线夹	CORD HOLDER #10	2
44	10008101	油线 $\phi 2$	WICK $\phi 2$	2
45	10008101	油线 $\phi 2$	WICK $\phi 2$	1
46	10008089	油线 $\phi 3$	FELT $\phi 3$	4
47	10008089	油线 $\phi 3$	S-RACE BASE FELT $\phi 3$	1
48	10008101	油线 $\phi 2$	WICK $\phi 2$	1
49	10008089	油线 $\phi 3$	FELT $\phi 3$	6
50	20010691	机头毛毡小组件	FELT ASSY	1
51	10007794	油管 $\phi 3 \times \phi 5$	OIL TUBE $\phi 3 \times \phi 5$	1
52	10028110	油管压板	TUBE GUIDE	1
53	10012553	螺钉 M4×8	BOLT SOCKET M4×8	1
54	10008089	油线 $\phi 3$	FELT $\phi 3$	1
56	10022305	副油箱总装	SUB-TANK ASSY	1
57	10022313	油嘴管	OIL FEEDING PIPE	1
58	10022311	油门塞	VALVE PACKING	1
59	10022308	油管接头	OIL CONNECROR	1
60	10022306	橡皮塞	RUBBER CAP, 8	1
61	10007796	油管 $\phi 4 \times \phi 6$	OIL TUBE $\phi 4 \times \phi 6$	1
64	10008090	油线 $\phi 3$	WICK $\phi 3$	1
65	10007797	油管 $\phi 6 \times \phi 8$	OIL TUBE $\phi 6 \times \phi 8$	1
66	10008108	油线 $\phi 6$	WICK $\phi 6$	1
67	10009746	弹簧	TUBE CLIP SPRING	1
68	10003039	螺钉 M4×10	BOLT SOCKET M4×10	2
71	10028111	油管压板B	TUBE SUPPORT B	1
72	10009456	螺钉 M5×8	SCREW PAN M5×8	1
73	10021321	油线 $\phi 4$	FELT $\phi 4$	1
74	10008089	油线 $\phi 3$	FELT $\phi 3$	1
77	10008101	油线 $\phi 2$	WICK $\phi 2$	1
78	10008101	油线 $\phi 2$	WICK $\phi 2$	1
79	10008101	油线 $\phi 2$	WICK $\phi 2$	1
80	10008101	油线 $\phi 2$	WICK $\phi 2$	1
81	10008089	油线 $\phi 3$	FELT $\phi 3$	2
82	10028112	弯针座供油板	LOOPER BASE OIL PLATE	1

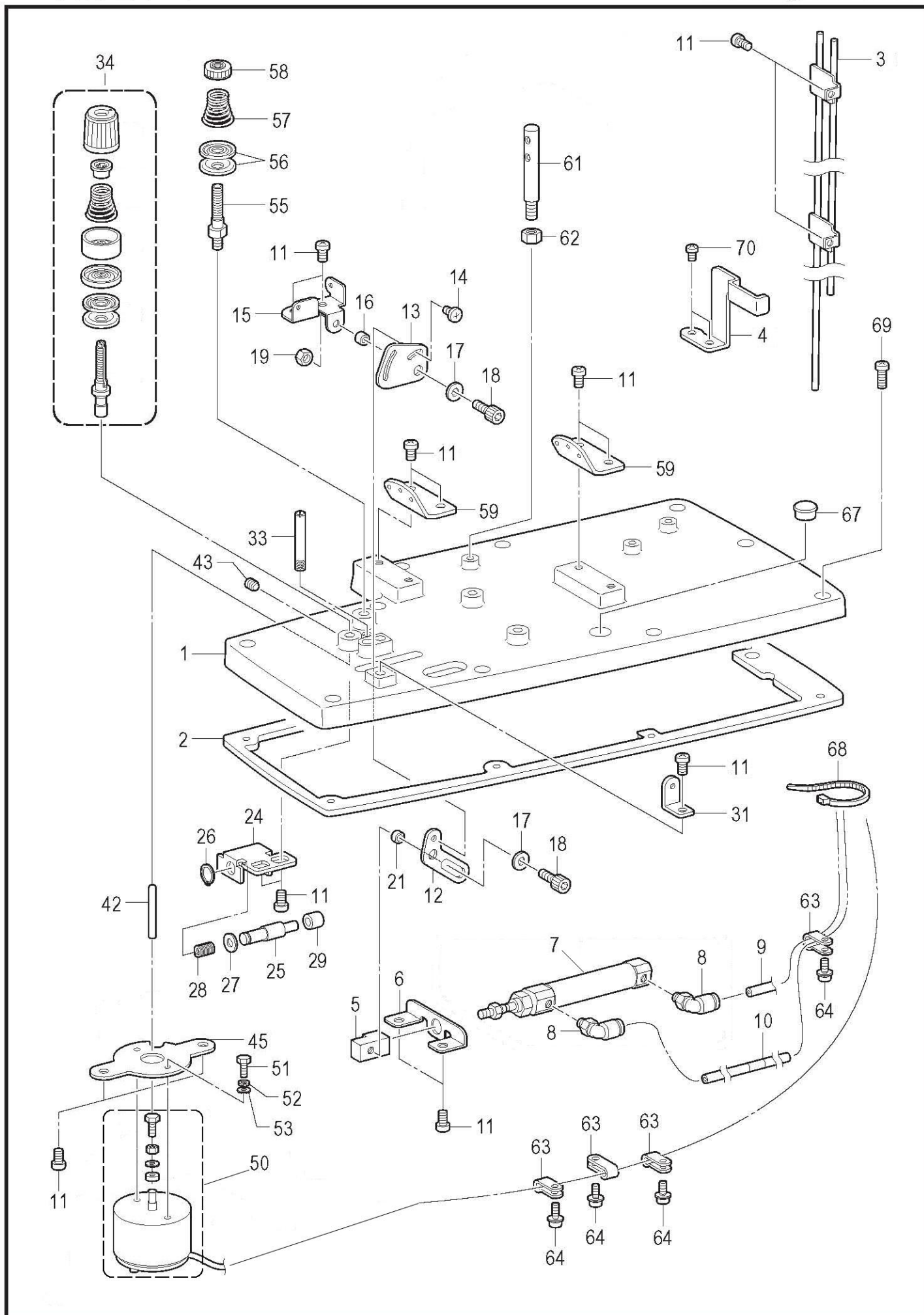
13. 供油润滑装置

Lubrication

序号 No.	件号 Pars No.	名称	NAME OF PARTS	数量 Number
86	10003006	螺钉 M4×5	SCREW BIND M4×5	1
87	10008101	油线 Φ2	WICK Φ2	1
88	10008101	油线 Φ2	WICK Φ2	1
90	10028113	芯线板	GIMP THREAD WASTE PLATE	1
91	10034925	弯针座油毡	LOOPER LINK FELT	1
92	40000362	扎带	FASTENING BAND	2
93	10008101	油线 Φ2	WICK Φ2	1
95	10007794	油管 φ3×φ5	OIL TUBE φ3×φ5	1
96	10028114	隔板	PARTITION	1
97	10032160	油毡	LOOPER LINK FELT	1
98	10008101	油线 Φ2	WICK Φ2	1
99	10028115	油线夹板	CORD HOLDER	1
100	10008108	油线 φ6	WICK φ6	1

14. 穿线装置(一)

Threading mechanism



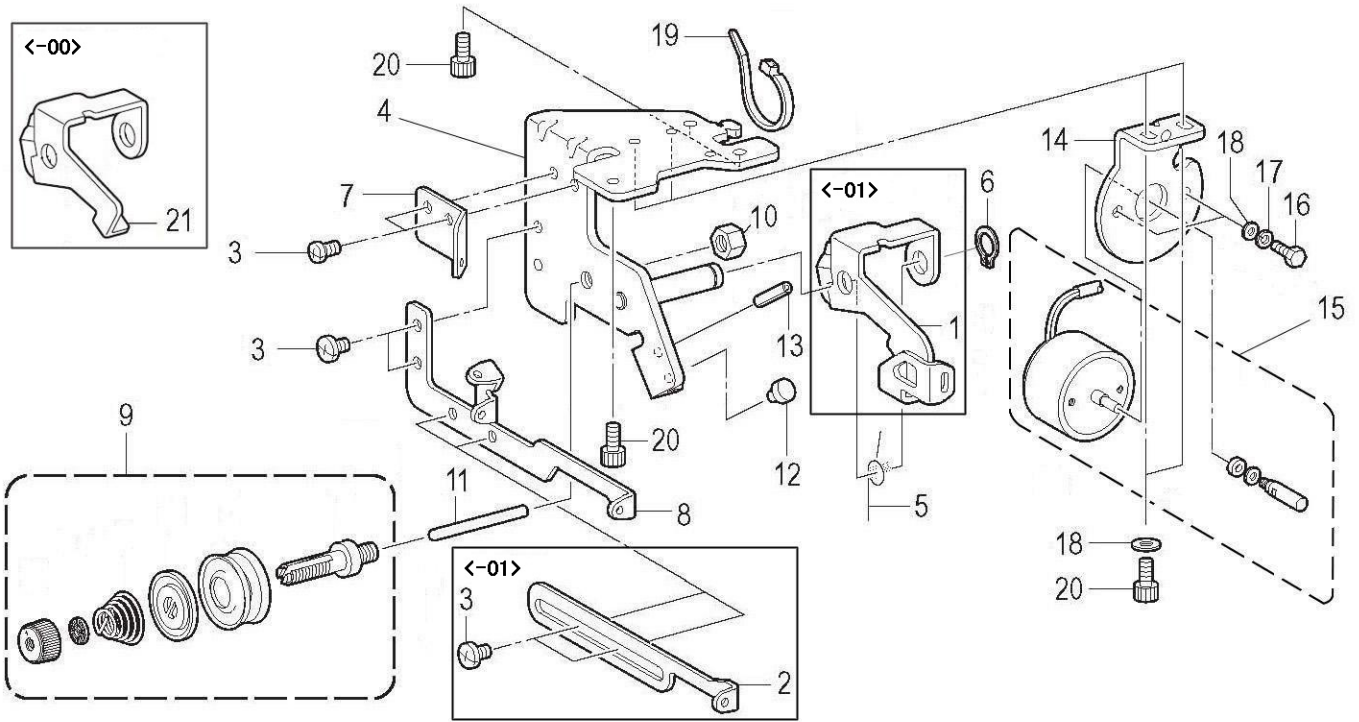
14-1. 穿线装置

Threading mechanism

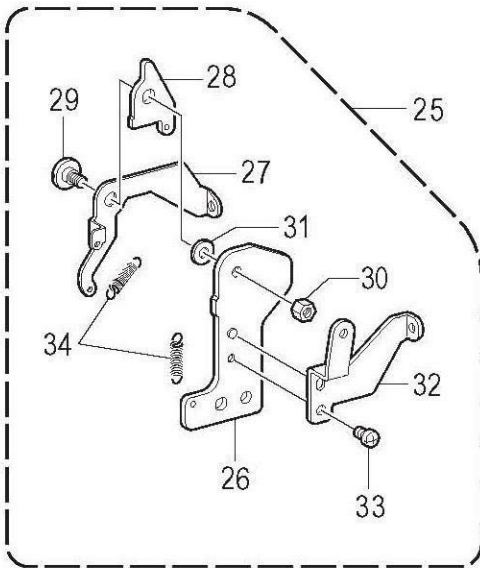
序号 No.	件号 Pars No.	名称	NAME OF PARTS	数量 Number
1	10027842	上盖	TOP COVER	1
2	10027843	上盖垫	PACKING TOP COVER	1
3	10027861	底线过线管	PEDAL THREAD GUIDE PIPE	1
4	10027862	导向管支撑架	PIPE CLAMP PLATE	1
5	10027844	上盖气缸接头	CYLINDER JOINT	1
6	10027845	上盖气缸安装板	CYLINDER SETTING PLATE	1
7	10027969	面线打线气缸	CYLINDER	1
8	10029404	迷你型快速管接头	ELBOW UNION	2
9	10008119	空气管 4×2.5-11	AIR TUBE 4×2.5-11	1
10	10008119	空气管 4×2.5-12	AIR TUBE 4×2.5-12	1
11	10009456	螺钉 M5×8	SCREW PAN M5×8	15
12	10027846	取线手杆驱动板	T-TAKE-UP LEVER DRIVING PLATE	1
13	10027847	取线手杆板	THREAD TAKE-UP LEVER PLATE	1
14	10005299	螺钉 M4×5	SCREW BIND M4×5	1
15	10027848	取线手杆基座	THREAD TAKE-UP LEVER BASE	1
16	10027849	取线手杆板套	COLLAR	1
17	10007650	垫片 4	WASHER 4	2
18	10005692	螺钉 M4×10	BOLT SOCKET M4×10	2
19	10005297	螺母 4	NUT 4	1
21	10027850	取线手杆驱动板套	COLLAR	1
24	10027851	冲击支撑板	IMPACT SUPPORT PLATE	1
25	10027852	冲击支撑杆	IMPACT SUPPORT SHAFT	1
26	10006142	挡圈 6	RETAINING RING EXTERNAL 6	1
27	10004936	垫圈 6	WASHER PLAIN 6	1
28	10027853	弹簧	SPRING COMPRESSION	1
29	10027882	上盖气缸缓冲套	BUTTON CLAMP	1
31	10027854	面线导向板	UPPER THREAD GUIDE	1
33	10027855	线导向杆	THREAD GUIDE ROD	1
34	10027877	上盖大夹线器组件	TENSION ASSY	1
42	10027880	上盖大夹线器松线钉	TENSION RELEASE PIN	1
43	10003153	螺钉 M5×5	SET SCREW SOCKET (FT) M5×5	1
45	10027857	面线松线电磁铁安装板	SETTING PLATE, SOLENOID	1
50	10027841	面线松线电磁铁组件	TENSION RELEASE SOLENOID ASSY	1
51	10000734	连接铁芯螺钉 M4×8	BOLT M4×8	2
52	10009503	弹簧垫圈 4	WASHER SPRING 4	2
53	10003083	垫圈 4	WASHER PLAIN 4	2
55	10027858	夹线螺杆	TENSION STUD	1
56	10006571	过线夹板	THREAD GUIDE DISC	2
57	10006563	过线簧	PRE-TENSION SPRING	1
58	10006561	螺母	TENSION NUT	1
59	10027859	三眼过线板	SEWING THREAD RETAINER GUIDE	2
61	10027860	过线柱	THREAD SPOOL PIN	1
62	10002953	螺母 M5	NUT M5	1
63	10005403	电线夹	CORD HOLDER	4
64	10003044	螺钉 M4×6	SCREW PAN(S/P WASHER) M4×6	4
67	10028147	橡胶塞 10	RUBBER CAP, 10.5	1
68	40000362	尼龙扎带3×100	FASTENING BAND 3×100	1
69	10008776	螺钉 M5×12	SCREW PAN M5×12	9
70	10003047	螺钉 M4×8	SCREW PAN M4×8	2

14. 穿线装置 (二)

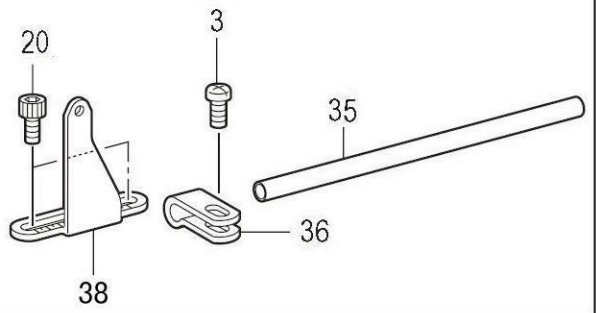
Threading mechanism



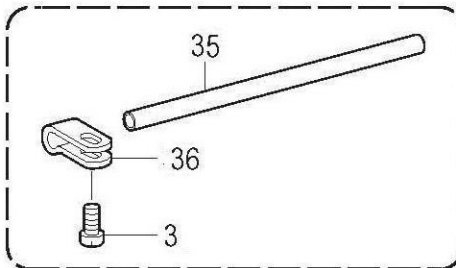
<-01用于芯线 / For -01 gimp thread >



<-00用于芯线 / For -00 gimp thread >



用于底线 / For lower thread



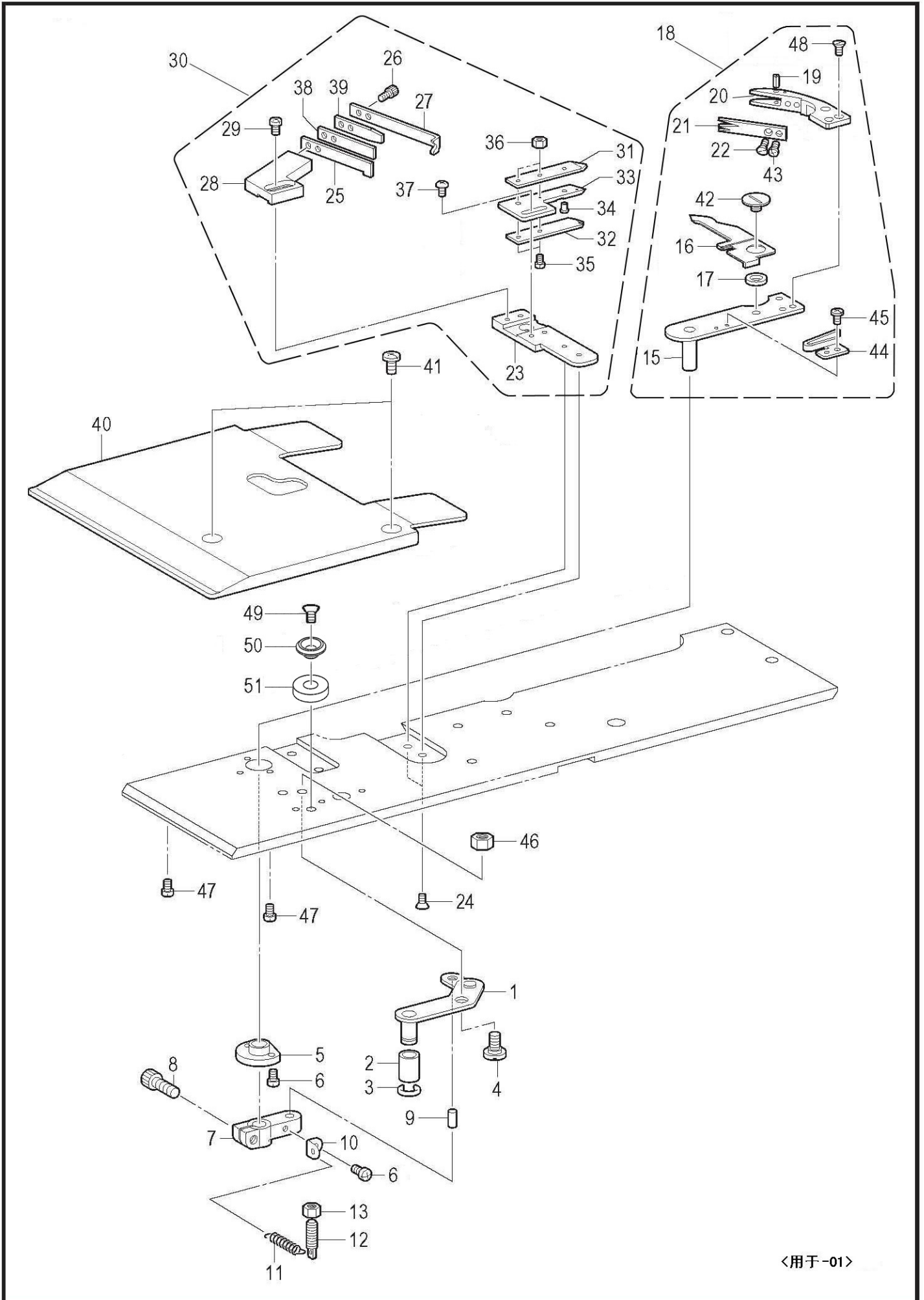
14-2. 穿线装置

Threading mechanism

序号 No.	件号 Pars No.	名称	NAME OF PARTS	数量 Number
3	10003044	螺钉 M4×6	SCREW BIND M4×6	4
4	10027865	底线夹线安装架	L-THREAD GUIDE ADJUST PLATE	1
5	10027866	弹簧	TWIST SPRING	1
6	10027930	挡圈 8	RETAINING RING EXTERNAL 8	1
7	10027867	底线导向板A	LOWER THREAD GUIDE A	1
8	10027868	底线导向板B	LOWER THREAD GUIDE B	1
9	10027879	底线夹线器组件	L-THREAD TENSION SHAFT ASSY	1
10	10003032	螺母 M6	NUT (FT), M6	1
11	10027881	底线夹线器松线钉	TENSION RELEASE PIN	1
12	10027883	缓冲垫	U-THREAD TRIMMER STOPPER	1
13	10002772	销 3×10	PIN SPRING ROLL 3×10	1
14	10027869	松线电磁铁安装板	LOWER SOLENOID SETTING PLATE	1
15	10027840	底线松线电磁铁组件	L-TENSION RELEASE SOLENOID ASSY	1
16	10000734	连接铁芯螺钉 M4×8	BOLT M4×8	2
17	10009503	弹簧垫圈 4	WASHER SPRING 4	2
18	10003083	垫圈 4	WASHER PLAIN 4	5
19	40000362	尼龙扎带3×100	BAND 3×100	1
20	10012553	螺钉 M4×8	BOLT SOCKET M4×8	5
35	10027870	芯线导向管	GIMP THREAD GUIDE PIPE	1
36	10010603	过线管夹簧	THREAD GUIDE PIPE SUPPORT	1
		<用于-01>	<APPLY TO -01>	
1	10027863	底线取线手柄	L-THREAD TAKE-UP GUIDE LENER	1
		<用于-01>	<APPLY TO -01>	
2	10027864	底线导向板C	LOWER THREAD GUIDE C	1
3	10003044	螺钉 M4×6	SCREW BIND M4×6	2
		<用于-00>	<APPLY TO -00>	
21	10031912	底线取线手柄	L-THREAD TAKE-UP GUIDE LENER	1
		<用于-01>	<APPLY TO -01>	
25	20010676	芯线过线手柄组件	GIMP THREAD TAKE-UP G-L ASSY	1
26	10027871	芯线过线架	GIMP THREAD TAKE-UP G-HOLDER	1
27	10027872	芯线过线板	G-THREAD TAKE-UP GUIDE PLATE	1
28	10027873	芯线过线作动板	GIMP THREAD TAKE-UP G-E PLATE	1
29	10027875	螺钉 M4	SHOULDER SCREW M4	1
30	10003027	螺母 M4	NUT M4	1
31	10002981	垫圈 4	WASHER PLAIN 4	1
32	10027874	芯线导向板	GIMP THREAD GUIDE	1
33	10000040	螺钉 M3×4	SCREW PAN M3×4	1
34	10033258	弹簧	SPRING TORSION	2
35	10027870	芯线导向管	GIMP THREAD GUIDE PIPE	1
36	10010603	过线管夹簧	THREAD GUIDE PIPE SUPPORT	1
3	10003044	螺钉 M4×6	SCREW BIND M4×6	1
		<用于-00>	<APPLY TO -00>	
20	10012553	螺钉 M4×8	BOLT SOCKET M4×8	2
35	10027870	芯线导向管	GIMP THREAD GUIDE PIPE	1
36	10010603	过线管夹簧	THREAD GUIDE PIPE SUPPORT	1
3	10003044	螺钉 M4×6	SCREW BIND M4×6	1
38	10031909	芯线过线板	G-THREAD TAKE-UP GUIDE PLATE	1

15. 切线装置

Thread trimmer mechanism



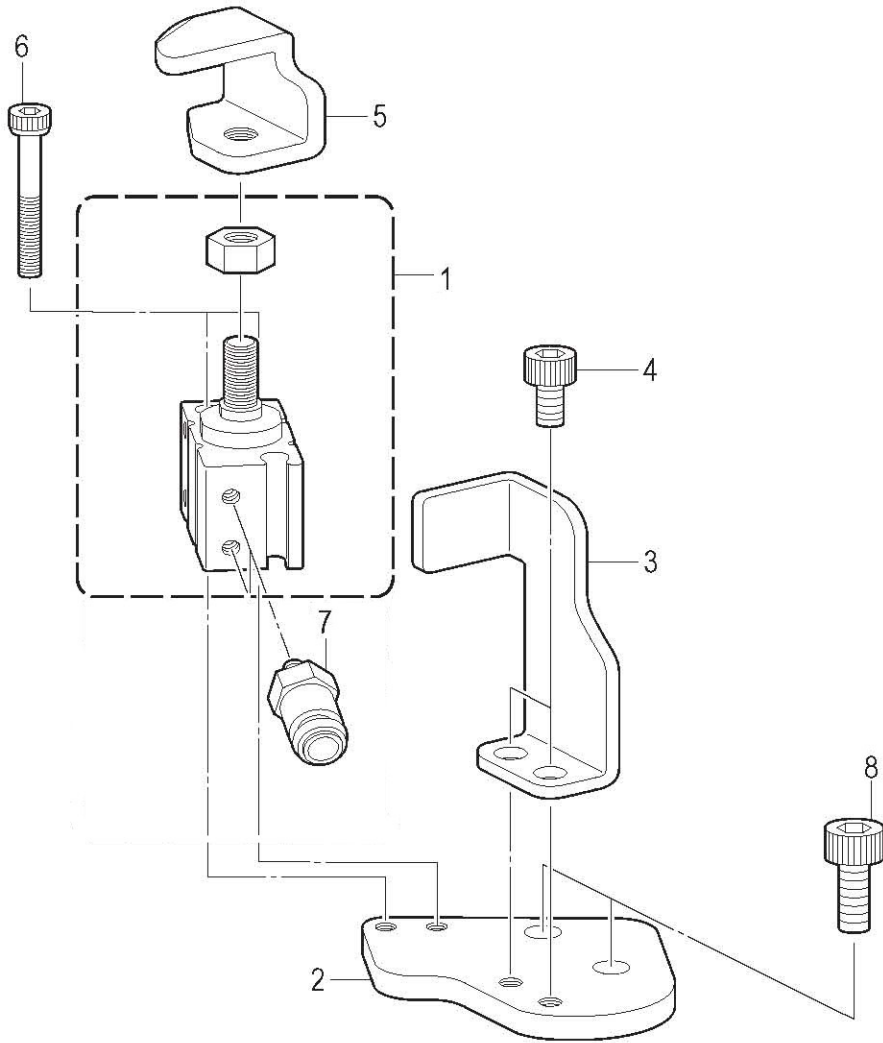
15. 切线装置

Thread trimmer mechanism

序号 No.	件号 Pars No.	名称	NAME OF PARTS	数量 Number
		<用于ZJ5821>	<For ZJ5821>	
1	10027890	切线连接杆组件	THREAD TRIMMER LINK LEVER ASSY	1
2	10027895	连接杆滚轮	LINK LEVER ROLLER	1
3	10027926	挡圈 6	STOP RING 6	1
4	10027896	螺钉	SHOULDER SCREW	1
5	10027884	切线臂套	BUSH TR TRIMMER ARM	1
6	10002915	螺钉 M2.5×4	SCREW PAN M2.5×4	3
7	10027886	切线曲柄	THREAD CUTTER LEVER ARM	1
8	10012752	螺钉 M4×10	BOLT SOCKET M4×10	1
9	10027887	销	NEEDLE PIN	1
10	10027888	弹簧挂钩	SPRING HOOK	1
11	10022508	弹簧	SPRING, EXTENSION	1
12	10027889	螺钉挂钩	SPRING HOOK	1
13	10027929	螺母 M3.5	NUT M3.5	1
15	10027897	动刀架组件	THREAD TRIMMER ARM	1
16	10027900	分线板	OPENER, T-NIPPER	1
17	10027901	分线板螺钉套	COLLAR, MOVABLE KNIFE	1
18	10028574	动刀组件	MOVABLE KNIFE ASSY	1
19	10002847	销 1.5×6	PIN, SPRING 1.5×6	1
20	10027902	动刀	MOVABLE KNIFE	3
21	10027903	分线钩	THREAD HANDLER	1
22	10032157	螺钉 SM3/32"×56×4	SCREW, FLAT	1
23	10027906	定刀座固定板	BRACKET, FIXED DNIFE	1
24	10009626	螺钉 M3×4	SCREW FLAT M3×4	2
25	10027912	定刀	FIXED KNIFE	1
26	10001705	螺栓 M2×8	BOLT, COCKET M2.6×8	2
27	10027915	导线片	THREAD GUIDE PLATE	1
28	10027911	定刀座	SETTING BRACKET FIXED KNIFE	1
29	10003034	螺钉 M3×5	SCREW PAN M3×5	2
30	10028575	定刀组件	THREAD NIPPER ASSY	1
31	10027908	上夹线弹簧片	THREAD NIPPER, U	1
32	10027909	下夹线弹簧片	THREAD NIPPER, D	1
33	10027907	夹线弹簧片座	THREAD NIPPER, M	1
34	10027910	夹线弹簧片顶销	OPENER PIN	1
35	10032276	螺钉 M2×4	SCREW PAN M2×4	2
36	10032275	螺母 M2	NUT M2	2
37	10032273	螺母 M2.5×3	SCREW M2.5×3	2
38	10027913	定刀顶板	SPRING, PLATE;F-KNIFE	1
39	10027914	导线片垫板	SPRING, PLATE;F-KNIFE	1
40	10027916	剪线刀护罩	PRESSER PLATE	1
41	10003044	螺钉 M4×6	SCREW BIND M4×6	2
42	10027905	螺钉	SCREW	1
43	10032156	螺钉 SM3/32"×56	SCREW SM3/32"×56	1
44	10027904	分线器弹簧	OPENER SPRING	1
45	10032159	螺钉 SM3/32"×56	SCREW BIND SM3/32"×56	2
46	10003027	螺母 M4	NUT M4	1
47	10002904	螺钉 M3×4	SCREW PAN M3×4	2
48	10032158	螺钉 SM1/8"×40	SCREW PAN SM1/8"×40	3
49	10002554	螺钉 M4×8	SCREW PAN M4×8	1
50	10001782	减震垫圈套	DAMPING GASKER SET	1
51	10001783	减震胶垫	DAMPING PAD	1

16. 面线剪切装置

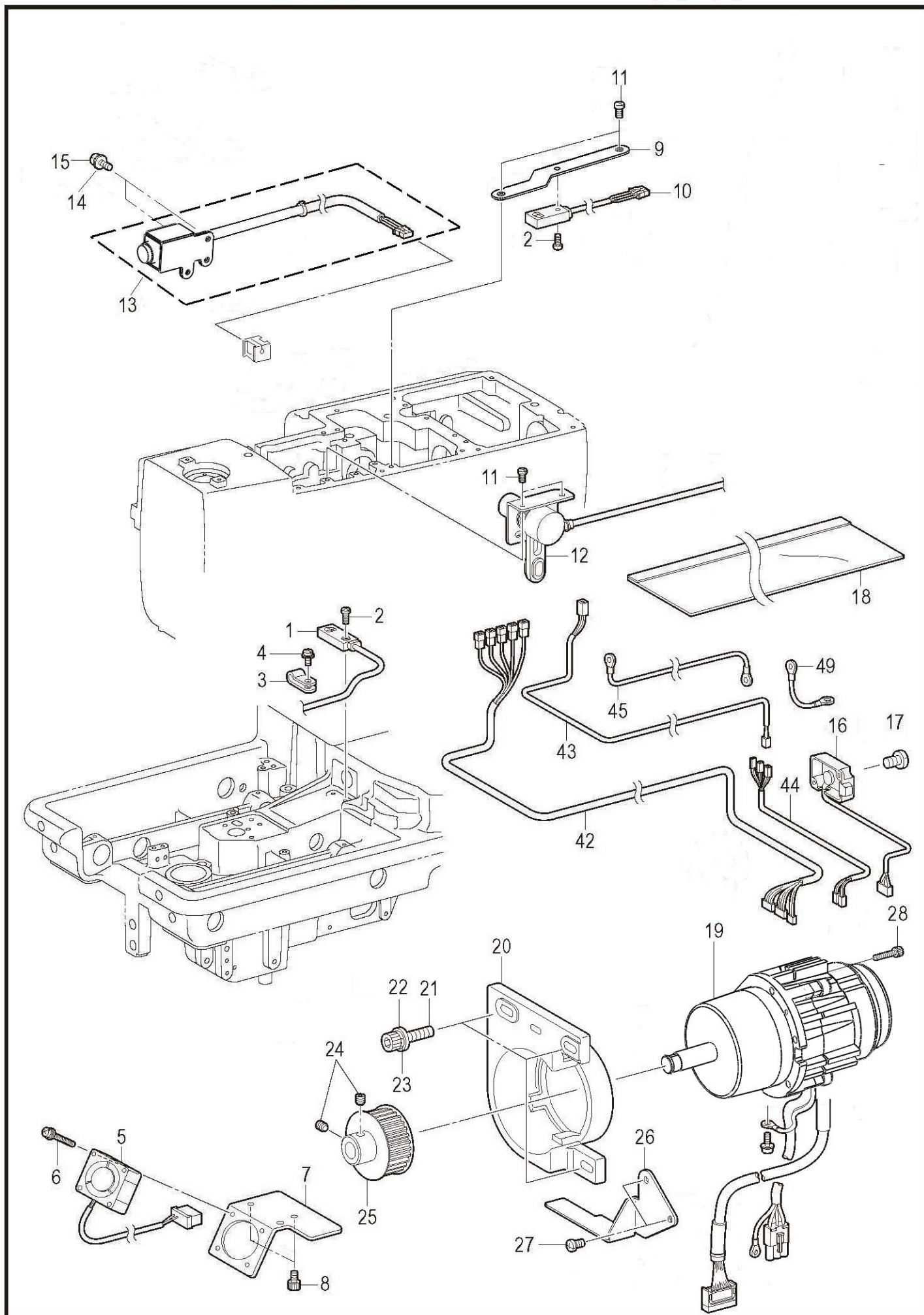
Upper thread trimmer mechanism



16. 面线剪切装置

Upper thread trimmer mechanism

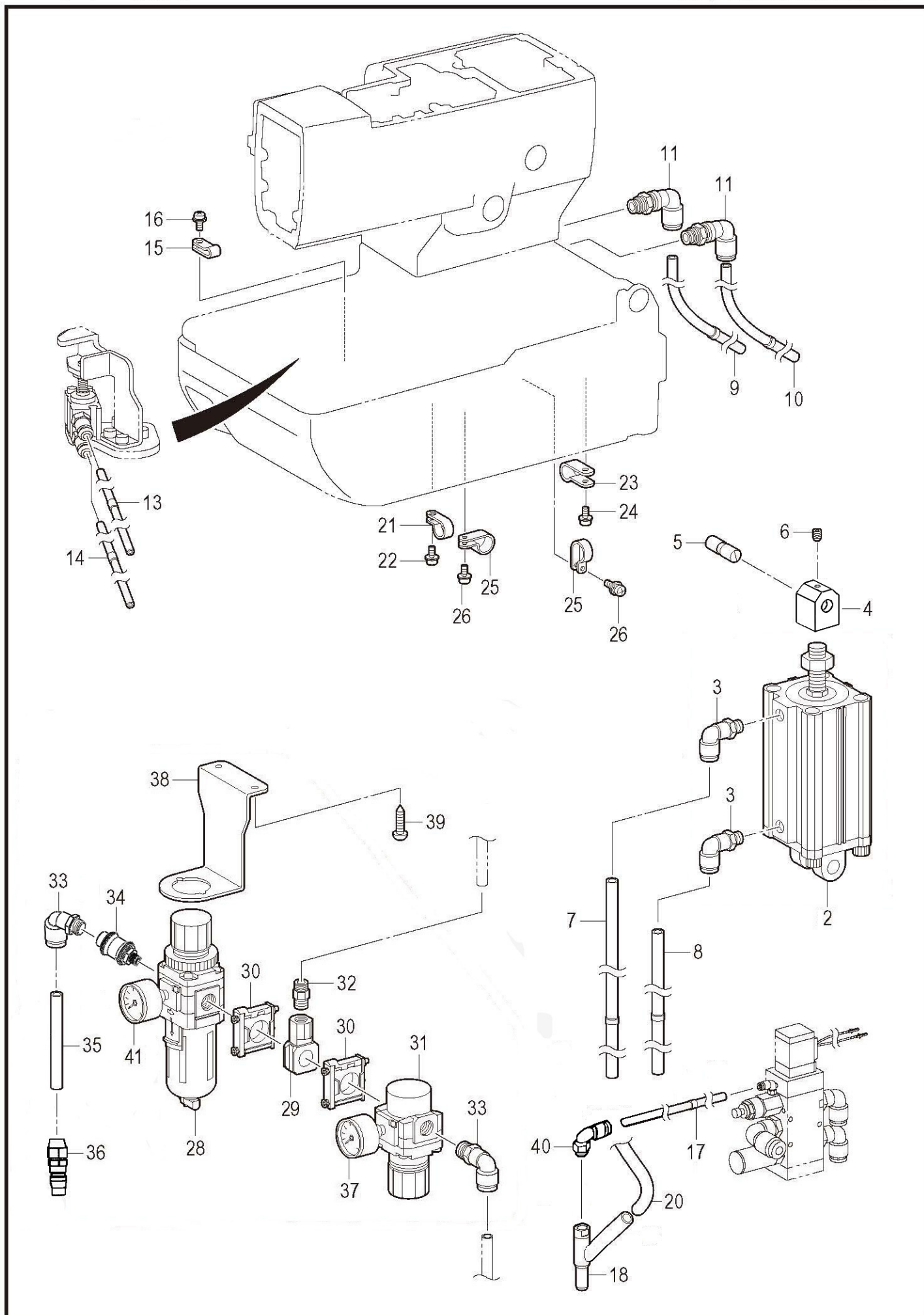
序号 No.	件号 Pars No.	名称	NAME OF PARTS	数量 Number
1	10027970	气缸	CYLINDER ASSY	1
2	10027918	气缸安装板	CYLINDER SETTING PLATE	1
3	10027917	气锤导向板	HAMMER GUIDE PLATE	1
4	10002976	螺钉 M4×6	BOLT SOCKET M4×6	2
5	10027919	气锤	HAMMER GUIDE PLATE	1
6	10007844	螺钉 M3×25	BOLT, CQ2 M3×25	2
7	10027940	迷你型快速管接头	JOINT	2
8	10003165	螺钉 M5×10	BOLT SOCKET M5×10	2



17. 电器部件

Power supply equipment mechanism

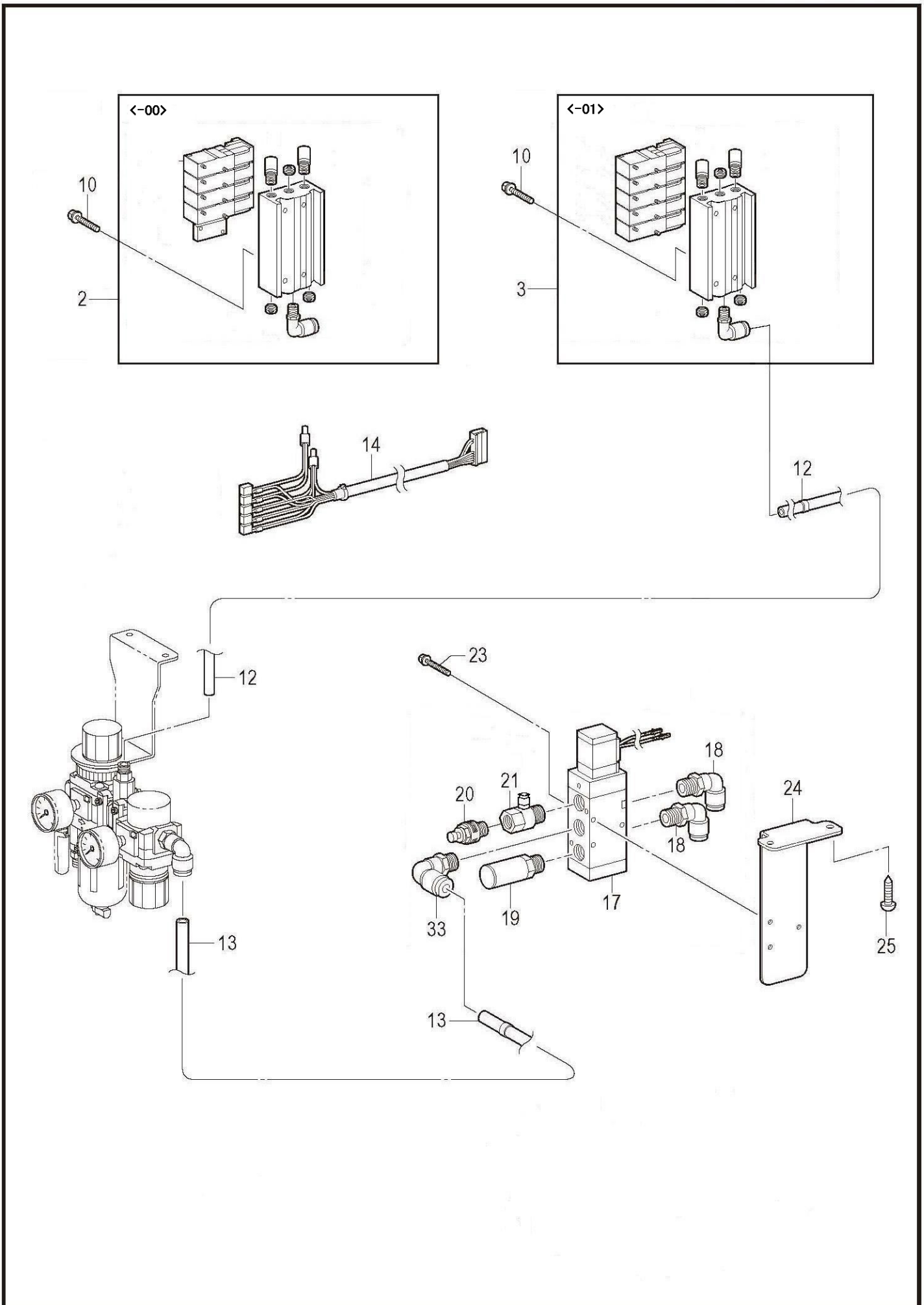
序号 No.	件号 Pars No.	名称	NAME OF PARTS	数量 Number
1	10029501	Y原点接近开关线缆	Y-POSITION SENSOR	1
2	10003048	螺钉M3×8	SCREW PAN M3×8	2
3	10005403	尼龙夹 NK-3N	CORD HOLDER, NK-3N	
4	10009455	螺钉M4×8	SCREW PAN M3×8	
5	10032154	风扇	DC FAN MOTOR ASSY 40	1
6	10003038	螺钉M3×10	SCREW PAN M3×10	4
7	10030323	风扇支架	FAN HOLDER	1
8	10003047	螺钉M4×8	BOLT SOCKET M4×8	2
9	10030324	感应器安装板	SENSOR SETTING PLATE	1
10	10029502	上针位置接近开关线缆	ZIGZAG SENSOR ASSY	1
11	10009455	螺钉M4×8	SCREW PAN M3×8	4
12	20010658	切刀感应器组件	CUTTER SENSOR ASSY	1
13	20010757	急停开关组件	STOP SWITCH ASSY	1
14	10003122	垫圈	WASHER PLAIN	2
15	10005692	螺钉M4×10	SCREW PAN M4×10	2
16	20010961	机头信息板组件	HEAD DETECTION UNIT ASSY	1
17	10009456	螺钉	SCREW	2
18	10002700	线缆包扎带	QUICK TUBE ASSY	1
19	10027920	主马达	MOTOR	1
20	10027921	主马达安装架	MOTOR HOLDREER	1
21	10003160	螺钉M8×30	BOLT SOCKET M8×30	3
22	10003020	垫圈8		3
23	10003126	垫圈8		3
24	10010907	螺钉 M6×6	SET SCREW SOCKET (FT) M6×6	2
25	10028161	同步手轮组件	TIMING PULLEY ASSY	1
26	10027923	皮带导向架	BELT GUIDE	1
27	10003047	螺钉M4×8	SCREW PAN M4×8	2
28	10012073	螺钉M5×16	BOLT SOCKET M5×16	5



18. 气动元器件部件 (一)

Air pressure mechanism

序号 No.	件号 Pars No.	名称	NAME OF PARTS	数量 Number
2	10027973	气缸	CYLINDER	1
3	10027946	快速管接头	FAST TUBE JOINT	2
4	10032169	气缸接头	CYLINDER JOINT	1
5	10032170	气缸接头销	CYLINDER JOINT ROD	1
6	10003144	螺钉M6×8	SCREW M6×8	1
7	10008151	气管10×6.5-30	AIR TUBE 10×6.5-30	1
8	10008151	气管10×6.5-30	AIR TUBE 10×6.5-30	1
9	10008151	气管10×6.5-50	AIR TUBE 10×6.5-50	1
10	10008151	气管10×6.5-50	AIR TUBE 10×6.5-50	1
11	10029522	快速管接头	FAST TUBE JOINT	2
13	10008119	气管4×2.5-140	AIR TUBE 4×2.5-140	1
14	10008119	气管4×2.5-140	AIR TUBE 4×2.5-140	1
15	10003044	螺钉M4×6	SCREW PAN M4×6	1
16	10008228	电线夹 #5	CORD HOLDER	1
17	10008119	气管4×2.5-60	AIR TUBE 4×2.5-60	1
18	10001622	三通接头	THREE INTERFACE JOINT	1
20	10032882	钢丝气管	TUBE	1
21	10005403	电线夹 #6.5	CORD HOLDER	1
22	10003044	螺钉M4×6	SCREW PAN M4×6	1
23	10008229	电线夹 #18.5	CORD HOLDER	1
24	10003044	螺钉M4×6	SCREW PAN M4×6	1
25	10008229	电线夹 #18.5	CORD HOLDER	2
26	10003044	螺钉M4×6	SCREW PAN M4×6	2
28	10027963	过滤减压阀	FILTER PRESSURE REDUCE VALVE	1
29	10027950	分流块	SHUNT BLOCK	1
30	10027951	连接件	JOINT ASSEMBLY	2
31	10027964	减压阀	PRESSURE REDUCE VALVE	1
32	10027945	快速管接头	FAST TUBE JOINT	1
33	10027948	快速管接头	FAST TUBE JOINT	2
34	10032271	手滑阀HSV M-03	HAND SLIDING VALVE	1
35	10008151	ATC PUB1065透明气管	LUCID AIR TUBE	1
36	10024399	接头	JOINT	1
37	10027968	压力表	PRESSURE INSTRUMENT	1
38	10030765	气缸安装板	CYLINDER INSTALL PLATE	1
39	10026825	十字槽圆头木螺钉	CROSS GROOVE ROUND HEAD WOODEN SCREW	2
40	10003715	调节阀出气接头	REGULATING VALVE AIR OUTPUT JOINT	1
41	10007620	带压力开关的压力表	PRESSURE INSTRUMENT	1



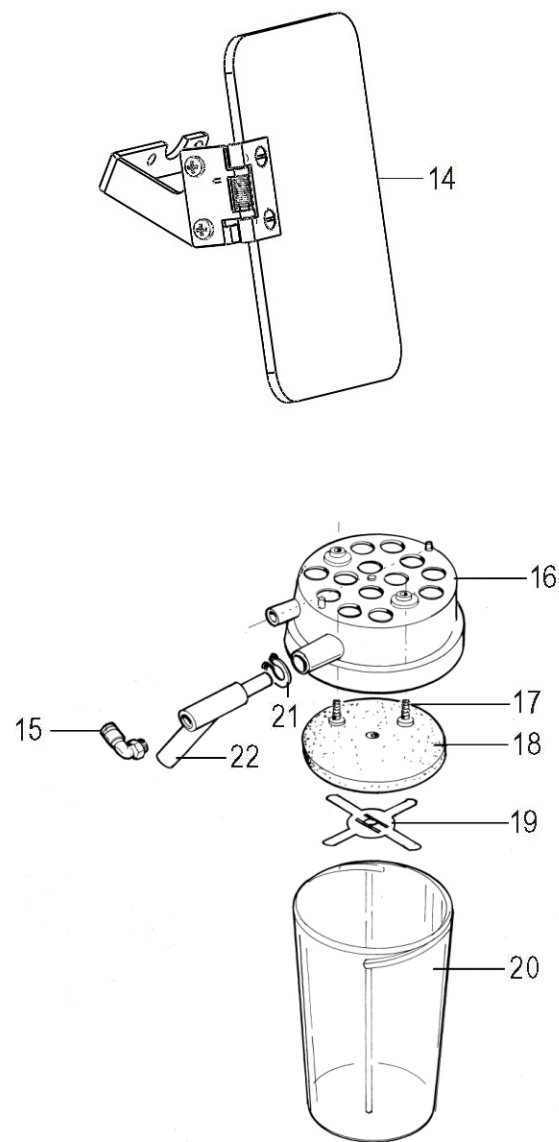
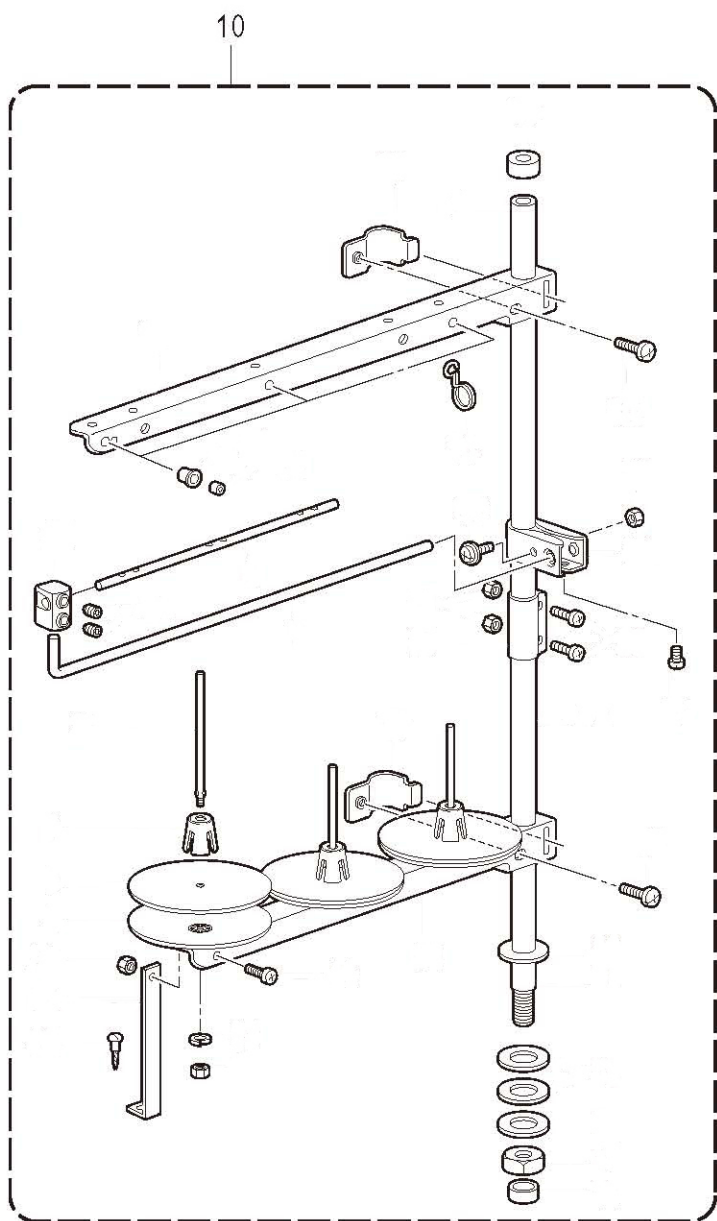
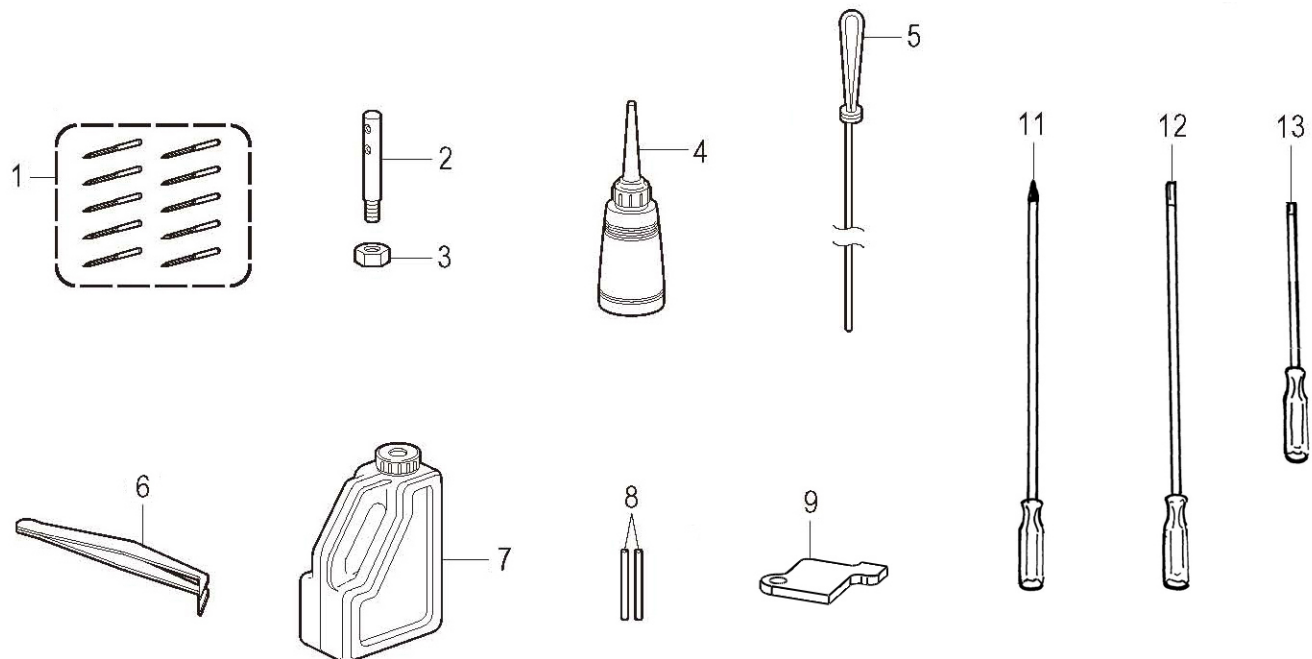
18. 气动元器件部件 (二)

Air pressure mechanism

序号 No.	件号 Pars No.	名称	NAME OF PARTS	数量 Number
12	10008151	气管 10×6.5-450	AIR TUBE 10×6.5-450	1
13	10008151	气管 10×6.5-360	AIR TUBE 10×6.5-360	1
14	10029505	电线	WIRE	1
17	10027961	电磁阀	SOLENOID VALVE	1
18	10027948	快速管接头	FAST TUBE JOINT	2
19	10027957	消音器	SILENCER	1
20	10027967	排气截流消音器	SILENCER WITH OUT PERMITTED AND INPUT FORBIDDEN	1
21	10027947	快速管接头	FAST TUBE JOINT	1
23	10002180	螺钉M4	SCREW PAN M4	3
24	10030764	电磁阀安装板	SOLENOID VALVE INSTALL PLATE	1
25	10026825	十字槽圆头木螺钉	CROSS GROOVE ROUND HEAD WOODEN SCREW	2
33	10027948	快速管接头	FAST TUBE JOINT	1
		<用于-00>	<APPLY TO -00>	
2	20010977	汇流板电磁阀组件	CONFLUENCE PLATE AND SOLENOID VALVE ASSY	1
		<用于-01>	<APPLY TO -01>	
3	20010962	汇流板电磁阀组件	CONFLUENCE PLATE AND SOLENOID VALVE ASSY	1

19. 附件部件

Accessories



19. 附件部件

Accessories

序号 No.	件号 Pars No.	名称	NAME OF PARTS	数量 Number
1	10031977	机针 16#	NEEDLE 16#	10
2	10027860	过线柱	THREAD SPOOL PIN	1
3	10002953	螺母 M5	NUT M5	1
4	10005356	油壶	OILER ASSY	1
5	10001677	底线导线勾	THREADER	1
6	10004247	镊子组件	PINCETTE	1
7	10004455	油箱	OIL TANK ASSY	1
8	10032171	调机插销	PIN	2
9	10032172	定位板	LOCATE PLATE	1
10	10007501	三线线架部件	COTTON STAND ASSY 3DRTHF	1
11	10001732	大螺丝刀	SCREW DRIVER	1
12	10010994	大螺丝刀	SCREW DRIVER	1
13	10001687	小螺丝刀	SCREW DRIVER	1
14	20011265	护眼板组件	EYE GUARD SET	1
15	10003715	调节阀出气接头	SCREW CONNECTION	1
16	10001623	废料缸盖	COVER	1
17	10003165	螺钉 M5×10	SCREW PAN M5×10	2
18	10007162	海绵垫	SUPPORTING PIECE	1
19	10007127	海绵垫挡板	CLAMP PLATE	1
20	10001594	废料缸	BOX	1
21	10007877	挡圈	SAFERTY RING	1
22	10001622	三通接头	INJECTION PIPE	1