



高速包缝机

ZJ747系列

HIGH-SPEED OVERLOCK SEWING MACHINE

零件手册

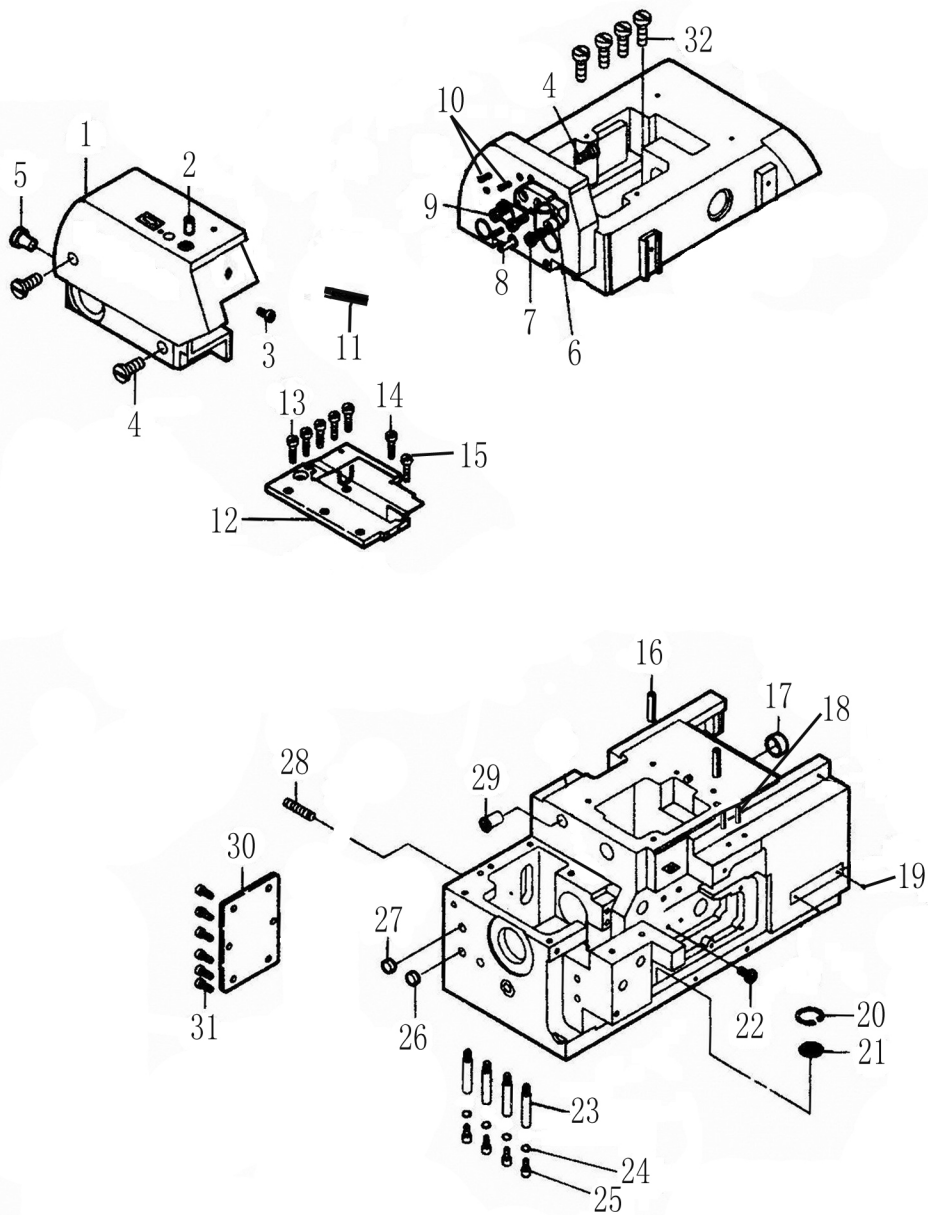
PARTS BOOK

中国·中捷缝纫机股份有限公司
ZOJE SEWING MACHINE CO., LTD.

地址：浙江玉环大麦屿开发区
ADD:DAMAIYU ZONE, YUHUAN, ZHEJIANG, 317604 CHINA
免费咨询电话：TEL:800-857-6715

中国·中捷缝纫机股份有限公司
ZOJE SEWING MACHINE CO., LTD.

机架部件 / FRAME ASSEMBLIES

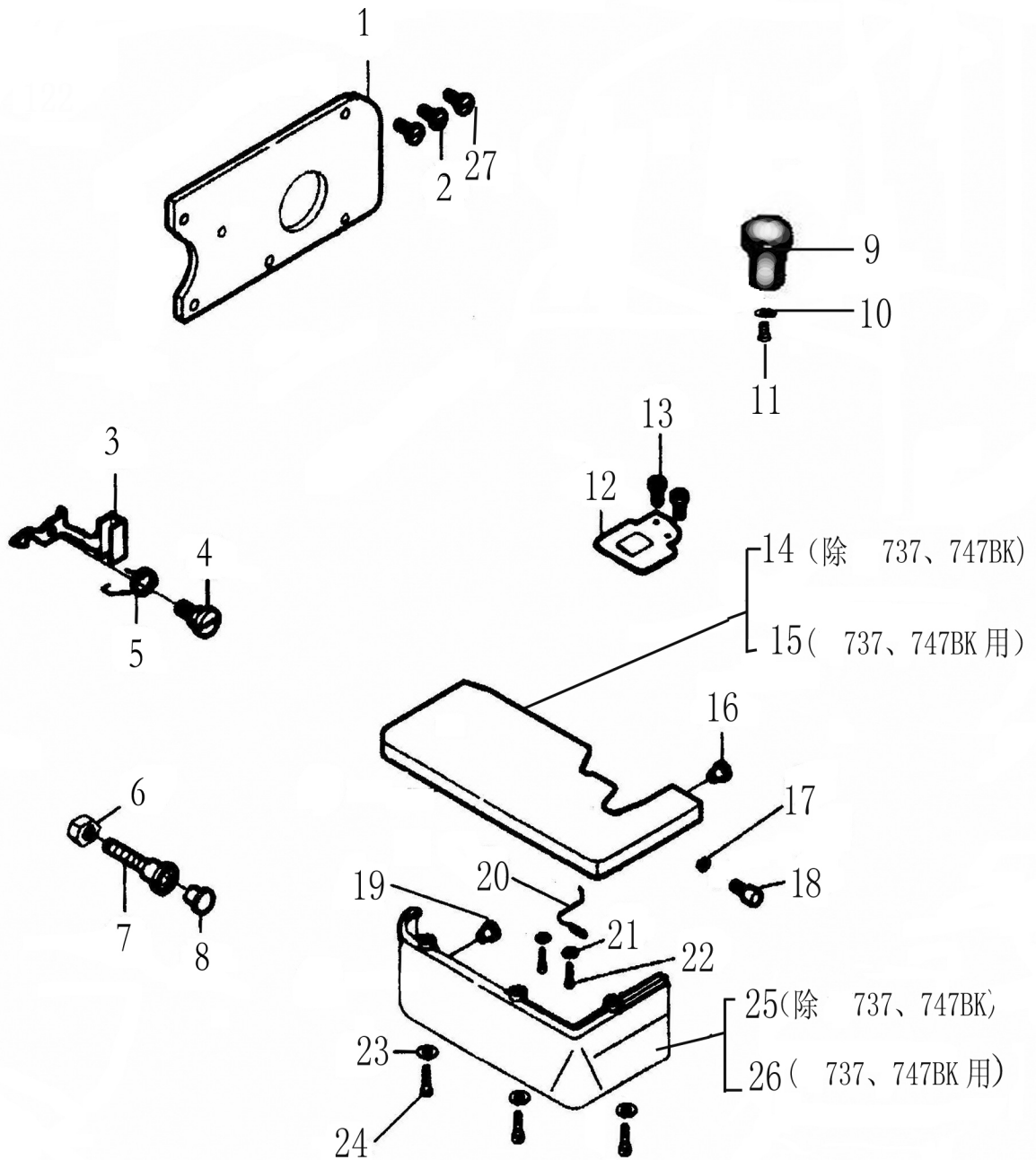


机壳部件

FRAME ASSEMBLIES

序号 No.	件号 Pars No.	名称	Description	数量 Number
1	20003507	侧罩体	cover	1
2	10009763	注油管	oil tube	1
3	10009047	螺钉	screw	1
4	10010372	螺钉	screw	3
5	10012062	螺钉	screw	1
6	10010436	针杆座	needle bar bracket	1
7	10010405	螺钉	screw	1
8	10010435	油线固定销	pin	1
9	10010437	螺钉	screw	2
10	10002865	销	pin	2
11	10009762	回油管	oil tube	1
12	20003508	左上盖	cover	1
13	10010367	螺钉	screw	5
14	10009486	螺钉	screw	1
15	10010368	螺钉	screw	1
16	10002581	销	pin	2
17	10010443	橡胶塞	oil seal	1
18	10008983	过线套管	pipe	2
19	10002840	铆钉	pin	4
20	10003280	挡圈	ring	1
21	10010309	滤油网	oil screen	1
22	10004123	螺钉	screw	1
23	10010117	机壳支柱	bed pin	4
24	10011027	垫圈	washer	4
25	10011026	螺钉	screw	4
26	10010443	橡胶塞	oil seal	1
27	10010277	橡胶塞	oil seal	1
28	10012062	螺钉	screw	1
29	10009707	回油胶套	rubber ring	1
30	10010299	后方盖板	rear cover	1
31	10010367	螺钉	screw	6
32	10008982	螺钉	screw	4

縫台部件 / CLOTH PLATE ASSEMBLIES

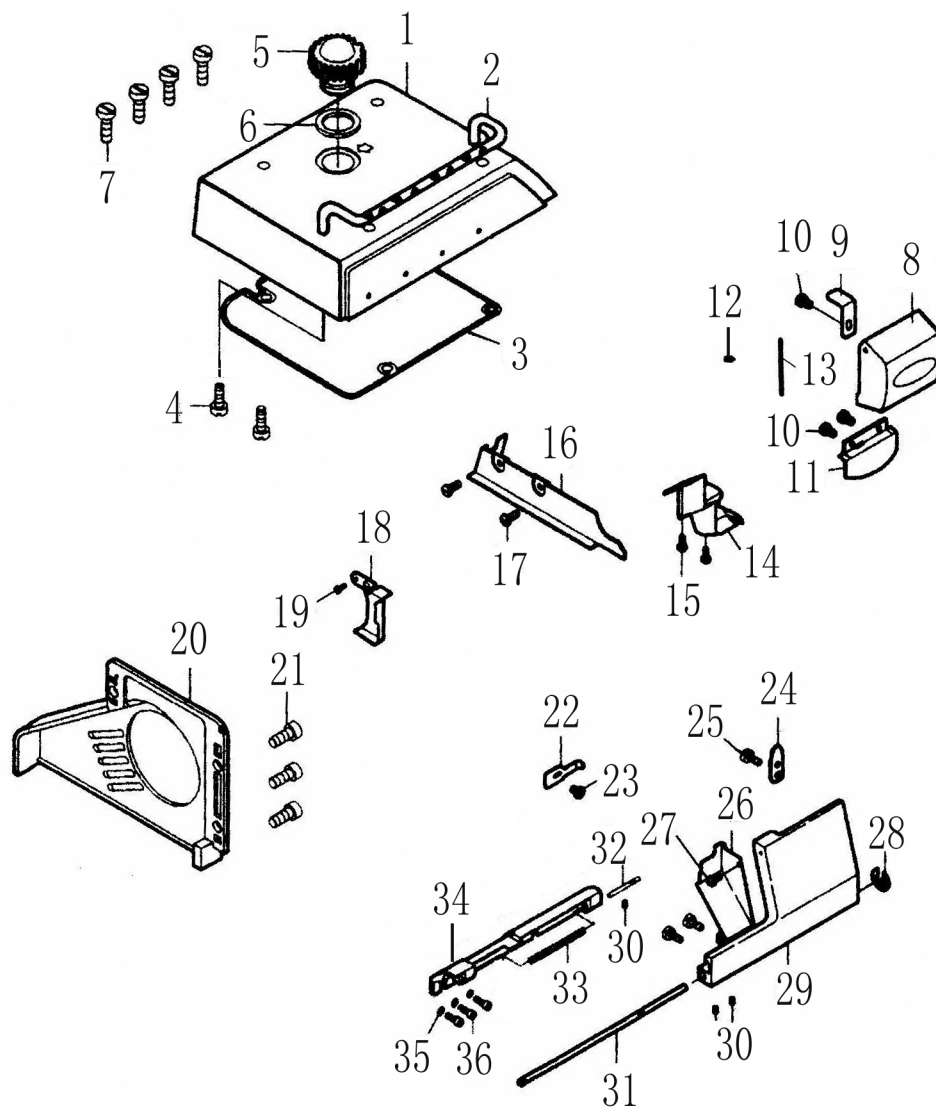


缝台部件

CLOTH PLATE ASSEMBLIES

序号 No.	件号 Pars No.	名称	Description	数量 Number
1	10010839	滑块盖板	cover	1
2	10010367	螺钉	screw	2
3	10010296	缝台盖扳手	spanner	1
4	10010297	螺钉	screw	1
5	10010371	扳手扭簧	spring	1
6	10010370	螺母	nut	1
7	10010369	螺钉	screw	1
8	10010116	针板座胶垫	rubber cushion	1
9	10002422	缝台偏心套	bushing	1
10	10010596	垫圈	spring washer	1
11	10010556	螺钉	screw	1
12	10010306	上挡油板	baffle	1
13	10010307	螺钉	screw	2
14	10008797	缝台组件	cloth plate	1
15	10002440	缝台组件	cloth plate	1
16	10009703	防震胶套II	rubber cushion	1
17	10009701	扳手螺栓螺母	nut	1
18	10009700	缝台扳手螺栓	bolt	1
19	10009702	防震胶套I	rubber cushion	1
20	10009774	缝台盖开启卡簧	spring	1
21	10009696	垫圈	washer	2
22	10009747	螺钉	screw	2
23	10009725	垫圈	washer	3
24	10009724	螺钉	screw	3
25	10003407	围板	side cover	1
26	10011090	围板	side cover	1
27	10010308	螺钉	screw	1

外罩部件 /COVER ASSEMBLIES

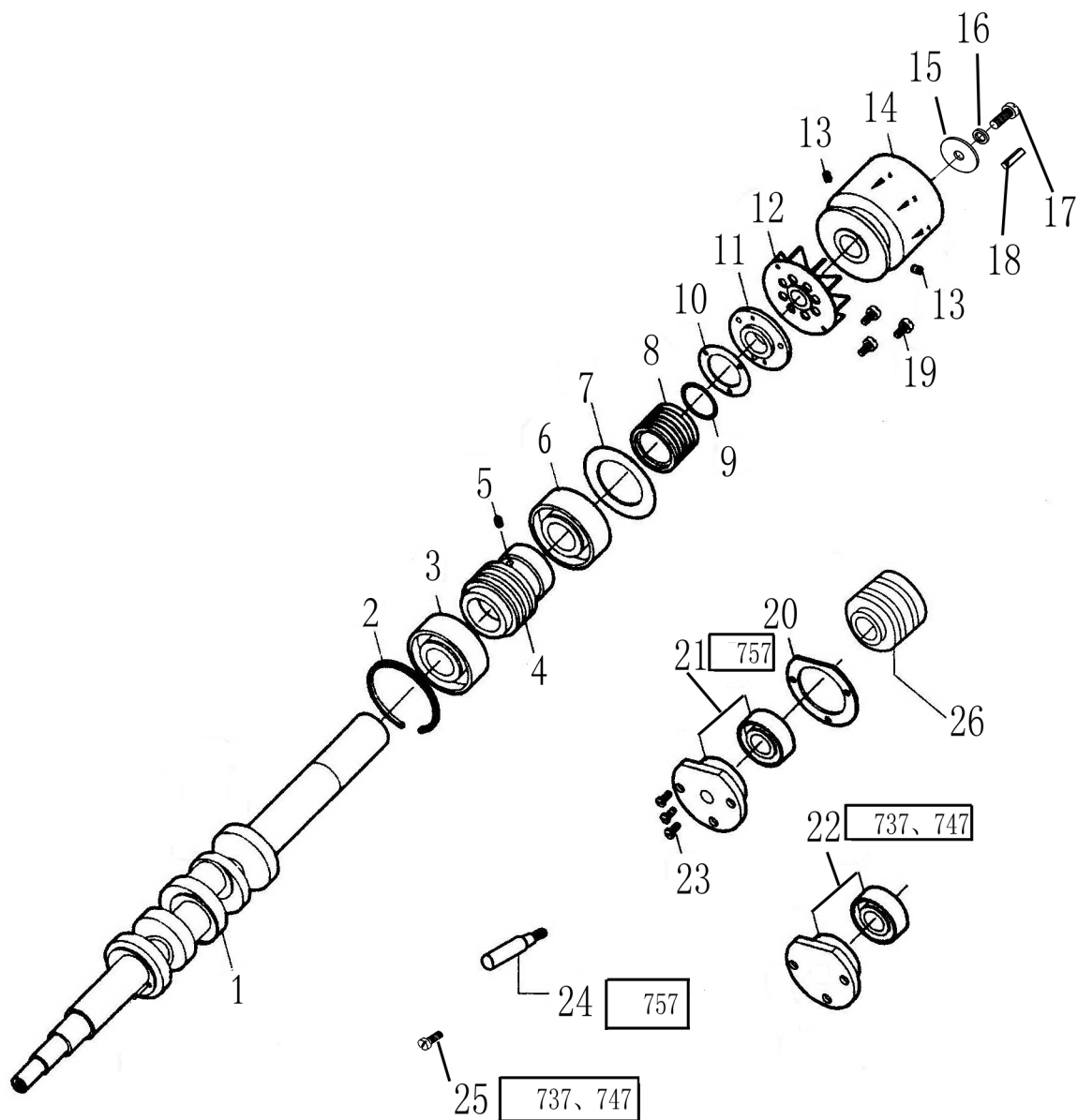


外罩部件

COVER ASSEMBLIES

序号 No.	件号 Pars No.	名称	Description	数量 Number
1	20003506	上盖	upper cover	1
2	10009145	过线架	thread guide	1
3	10008996	上盖密封圈	gasket	1
4	10009052	螺钉	screw	2
5	10009757	油窗	oil sight window	1
6	10009704	油窗垫	gasket	1
7	10008998	上盖螺钉	screw	4
8	10008794	防护罩1	safety cover	1
9	10008795	防护罩固定弹簧板	spring	1
10	10009363	螺钉	screw	3
11	10008798	防护罩2	safety cover	1
12	10009074	螺钉	screw	1
13	10008796	防护罩销	pin	1
14	10009025	中挡板	oil guide	1
15	10009363	螺钉	screw	2
16	10010123	下挡板	fabric guard	1
17	10010367	螺钉	screw	2
18	10010301	针架护板	oil guide	1
19	10010120	螺钉	screw	1
20	10012754	皮带罩	belt cover	1
21	10010367	螺钉	screw	3
22	10010302	前罩簧片插板	spring	1
23	10010367	螺钉	screw	1
24	10010303	前罩簧片	latch	1
25	10010304	螺钉	screw	2
26	*	前罩挡板	front cover	1
27	10010304	螺钉	screw	3
28	10003248	挡圈	ring	1
29	20003516	前罩	front cover	1
30	10010124	螺钉	screw	3
31	10010525	前罩销	pin	1
32	10010305	前罩架定位销	pin	1
33	10010526	弹簧	spring	1
34	10010528	前罩架	front cover hinge	1
35	10009725	垫圈	washer	3
36	10010304	螺钉	screw	3

主轴组件 / MAIN SHAFT ASSEMBLIES

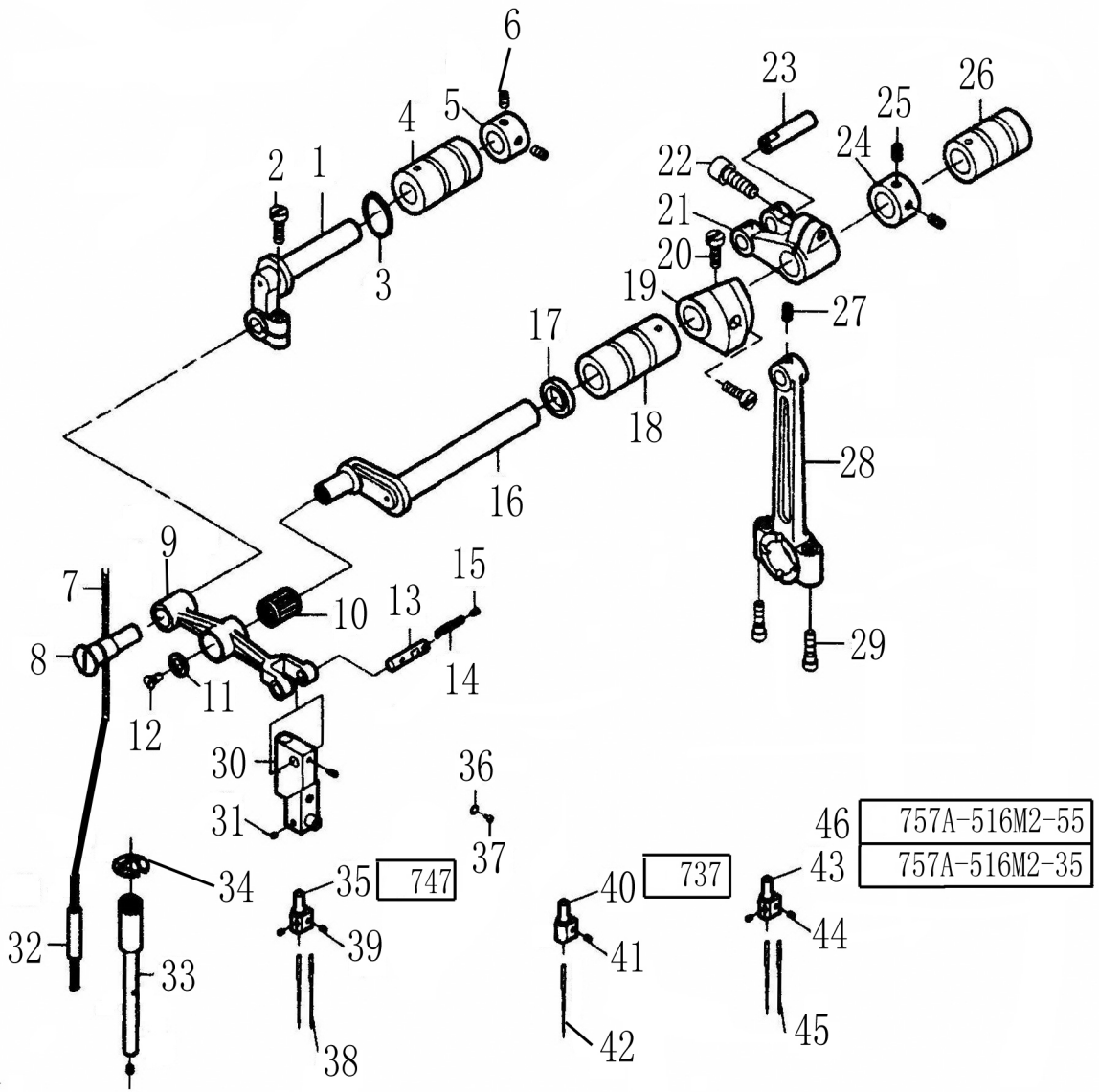


主轴部件

Main shaft assemblies

序号 No.	件号 Pars No.	名称	Description	数量 Number
1	10010011	主轴	main shaft	1
2	10009143	卡簧	bushing washer	1
3	10003518	轴承	bearing	1
4	10010048	油泵蜗杆	oil pump worm	1
5	10013590	螺钉	screw	1
6	10003524	轴承	bearing	1
7	10010054	垫圈	spring washer	1
8	10010565	叶轮间隔套	oil seal	1
9	10003794	O形圈	O ring	1
10	10010564	密封垫	plate	1
11	10010052	轴承右端盖	bearing cover	1
12	10010051	冷却风扇	fan	1
13	10010562	螺钉	screw	2
14	20003959	皮带轮	handwheel	1
15	10010563	垫圈	washer	1
16	10003077	垫圈	spring washer	1
17	10010049	螺钉	screw	1
18	10010050	键	key	1
19	10010367	螺钉	screw	3
20	10010569	密封垫	plate	1
21	10027565	轴承左端盖组件	bearing cover assembly	1
22	10022091	轴承左端盖组件	bearing cover assembly	1
23	10010568	螺钉	screw	3
24	10012270	主轴凸轴	screw	1
25	10010566	螺钉	screw	1
26	10009119	主轴中套	bushing	1

机杆机构部件 / NEEDLE BAR ASSEMBLIES

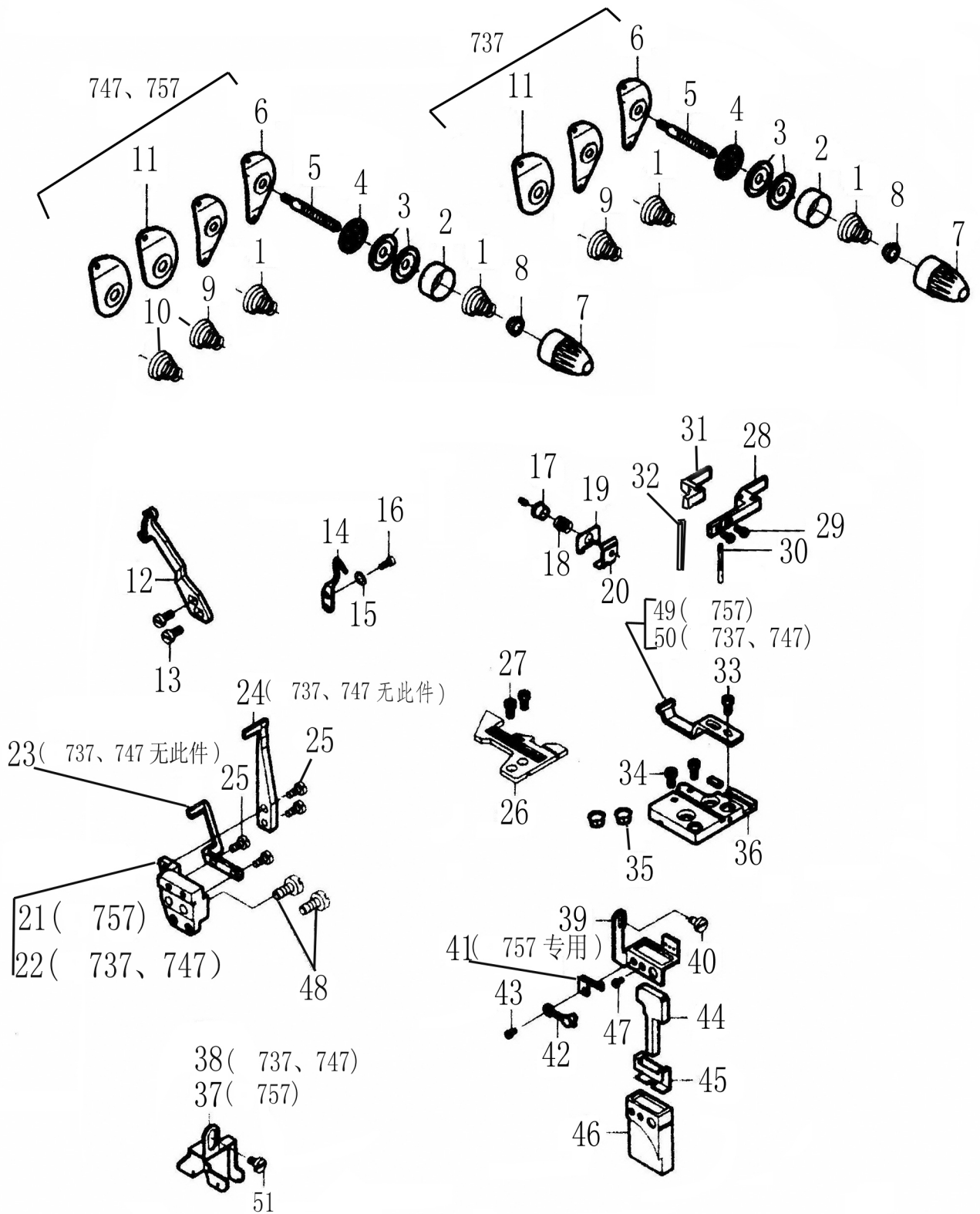


针杆机构部件

NEEDLE BAR ASSEMBLIES

序号 No.	件号 Pars No.	名称	Description	数量 Number
1	10008762	针杆曲柄轴	needle bar driving frame rock shaft	1
2	10011184	螺钉	screw	1
3	10008988	油封	oil seal	1
4	10008987	铜套	bushing	1
5	10010389	挡圈	collar	1
6	10010291	螺钉	screw	2
7	10008101	油线	oil wick	300mm
8	10010397	针杆曲柄销	pin	1
9	10010396	针杆传动曲柄	throat driving crank	1
10	10006205	滚针轴承	needle bearing	1
11	10010394	挡圈	washer	1
12	10010395	螺钉	screw	1
13	10010398	滑动针架销	pin	1
14	10008071	油线	oil wick	16mm
15	10010399	螺钉	screw	1
16	10010393	针杆摆轴	throat bar rock crank	1
17	10008986	油封	oil seal	1
18	10002631	轴套	bushing	1
19	10010391	针杆摆轴平衡块	balance block	1
20	10010392	螺钉	screw	2
21	10010014	针杆摆轴曲柄	crank	1
22	10010045	螺钉	bolt	1
23	10010560	针杆摆轴曲柄销	pin	1
24	10010290	挡圈	collar	1
25	10010291	螺钉	screw	2
26	10008985	轴套	bushing	1
27	10009486	螺钉	screw	1
28	10004137	针杆传动连杆	connecting rod	1
29	10004136	螺钉	bolt	2
30	10004109	滑动针架	throat clip guide bushing	1
31	10010196	螺钉	screw	4
32	10007798	油管	oil tube	120mm
33	10004111	针架导杆	needle bar	1
34	10003273	挡圈	ring	1
35	10012059	针夹	needle holder	1
36	10002998	垫圈	washer	1
37	10009747	螺钉	screw	1
38	10021310	机针	needle	2
39	10010196	螺钉	screw	2
40	10010434	针夹	needle holder	1
41	10010196	螺钉	screw	1
42	10021310	机针	needle	1
43	10012335	针夹	needle holder	1
44	10010196	螺钉	screw	2
45	10004900	机针	needle	2
46	10005873	针夹	needle holder	1

过线部件 / THREAD GUIDE ASSEMBLIES

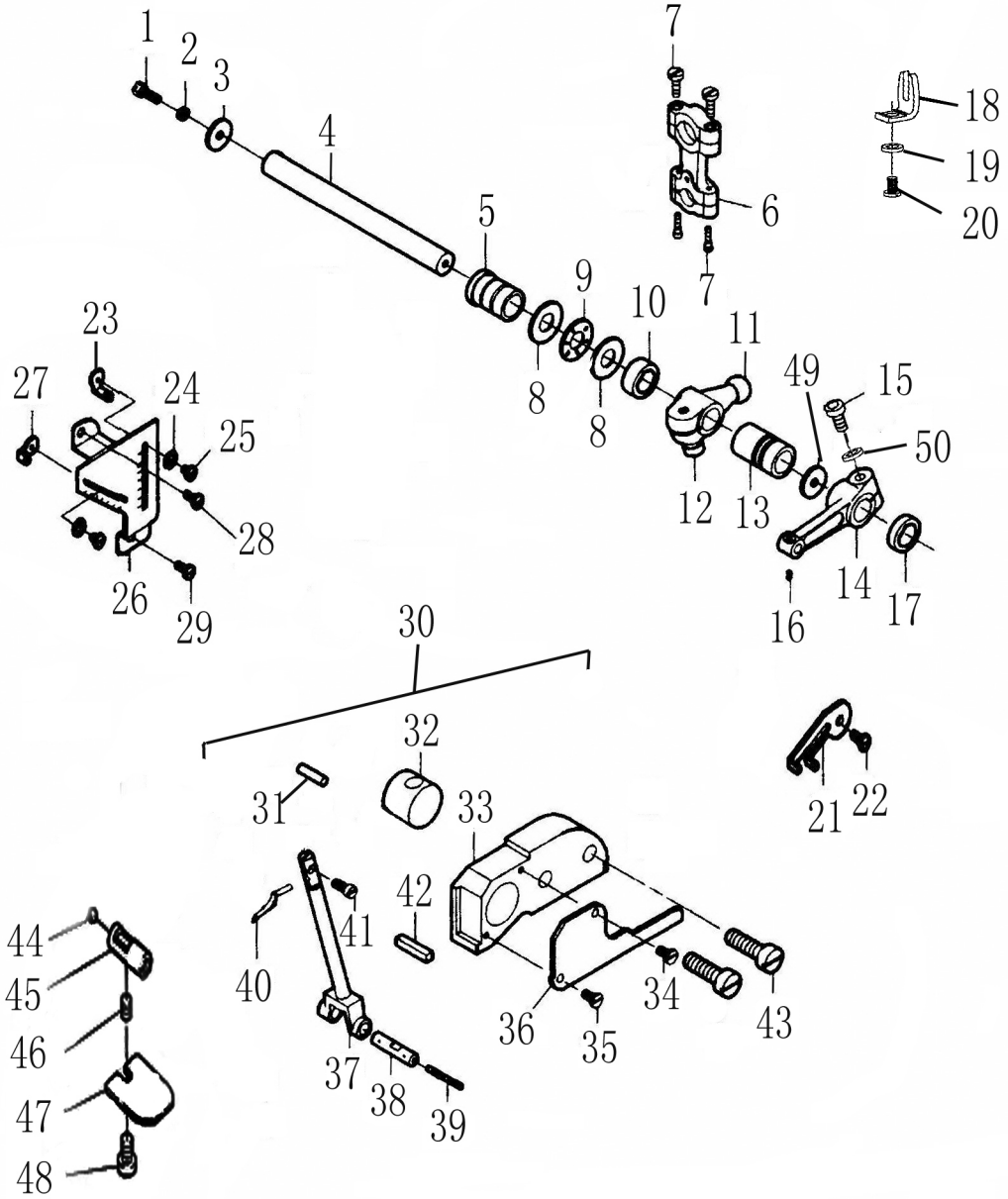


过线部件

THREAD GUIDE ASSEMBLIES

序号 No.	件号 Pars No.	名称	Description	数量 Number
1	10002688	压簧	spring	1
2	10002689	压簧座	cup	1
3	10009053	夹线板	tension disc	2
4	10009010	毡垫	felt	1
5	10002636	开口螺栓	screw stud	1
6	10009054	两孔过线板	thread guide	1
7	10002606	调压螺母	nut	1
8	10002635	调压定位圈	ratchet	1
9	10002691	压簧	spring	1
10	10004305	压簧	spring	1
11	10009057	一孔过线板	thread guide	1
12	10012334	上刀轴挑线板	thread take-up	1
13	10009363	螺钉	screw	2
14	10010113	下弯针护针挡	needle rear guard	1
15	10009725	垫圈	washer	1
16	10010114	螺钉	screw	1
17	10011014	拦线板导套	bushing	1
18	10011015	拦线板弹簧	spring	1
19	10011016	拦线板	thread guide	1
20	10011017	拦线板支架	thread guide	1
21	10012265	护针架座	guide	1
22	10010531	护针架座	guide	1
23	10012267	左直针后护针架	needle rear guard	1
24	10012266	右直针前护针架	needle front guard	1
25	10012324	螺钉	screw	4
26	*	针板	needle plate	1
27	10010530	螺钉	screw	2
28	10010256	下盖前弯板	snap plate	1
29	10010244	螺钉	screw	2
30	10010245	下螺柱	stud	1
31	10008072	油线	oil wick	62mm
32	10010257	橡胶片	oil seal	1
33	10010568	螺钉	screw	1
34	10010405	螺钉	screw	2
35	10010116	针板座胶垫	cushion rubber	2
36	10006430	针板座组件	needle plate bracket	1
37	10012360	直针挑线板	thread guide	1
38	10011011	直针挑线板	thread guide	1
39	10011040	直针过线架	thread guide	1
40	10010120	螺钉	screw	1
41	10011030	直针过线板	thread guide	1
42	10011031	硅油盒胶垫	oil box washer	1
43	10011032	螺钉	screw	1
44	10011029	油毡	oil felt	1
45	10011010	油毡架	oil felt bracket	1
46	10011028	硅油盒	oil box	1
47	10011033	螺钉	screw	1
48	10010006	螺钉	screw	2
49	10013344	前护针挡	needle front guard	1
50	10010404	前护针挡	needle front guard	1
51	10010120	螺钉	screw	1

上弯针部件 / UPPER LOOPER ASSEMBLIES

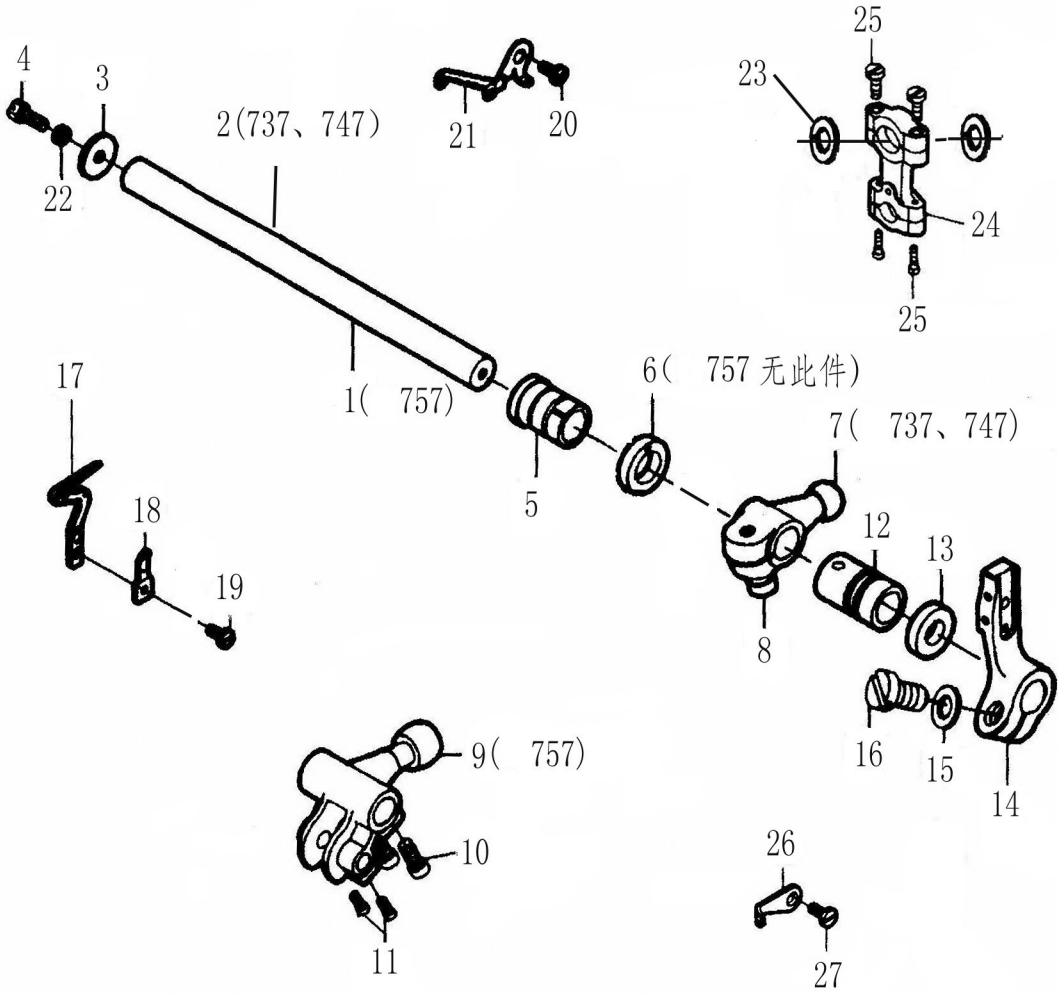


上弯针部件

UPPER LOOPER ASSEMBLIES

序号 No.	件号 Pars No.	名称	Description	数量 Number
1	10009486	螺钉	screw	1
2	10005537	垫圈	washer	1
3	10009999	垫圈	washer	1
4	10010379	上弯针轴	shaft	1
5	10009124	轴套	bushing	1
6	10002414	上弯针连杆	link	1
7	10004136	螺钉	screw	4
8	10003973	挡圈	guard	2
9	10003631	轴承	bearing	1
10	10010366	间隔套	bushing	1
11	10010013	上弯针球曲柄	crank	1
12	10010045	螺钉	screw	1
13	10009126	轴套	bushing	1
14	10004007	上弯针轴曲柄	crank	1
15	10010381	螺钉	screw	1
16	10010196	螺钉	screw	1
17	10011204	油封	oil seal	1
18	10002415	曲柄限位板	guide	1
19	10003236	垫圈	washer	1
20	10010308	螺钉	screw	1
21	10011037	上弯针轴两孔挑线板	thread take-up	1
22	10010367	螺钉	screw	1
23	10011012	下弯针可调过线板	thread guide	1
24	10009696	垫圈	washer	2
25	10011013	螺钉	screw	2
26	10011034	调节刻度板	bracket	1
27	10011035	上弯针可调过线板	thread guide	1
28	10010308	螺钉	screw	1
29	10010367	螺钉	screw	1
30	10010028	上弯针摇杆组件	upper looper holder assembly	1
31	10008076	油线	oil wick	20.5mm
32	10004012	圆滑块	slide block	1
33	10004011	上弯针摇杆座	bracket	1
34	10009747	螺钉	screw	1
35	10004008	螺钉	screw	1
36	10004009	摇杆座盖板	cover	1
37	10004010	上弯针摇杆	rod	1
38	10003970	上弯针摇杆销	pin	1
39	10008072	油线	oil wick	1
40	10010199	上弯针	upper looper	1
41	10010197	螺钉	screw	1
42	10010200	密封胶条	oil seal	1
43	10010198	螺钉	screw	2
44	10009826	钢球	plug	1
45	10012322	销	pin	1
46	10009074	螺钉	screw	1
47	10010382	挡油板	cover	1
48	10010554	螺钉	screw	1
49	10010112	O形圈	O ring	2
50	10002995	垫圈	washer	1

下弯针部件 / LOWER LOOPER ASSEMBLIES

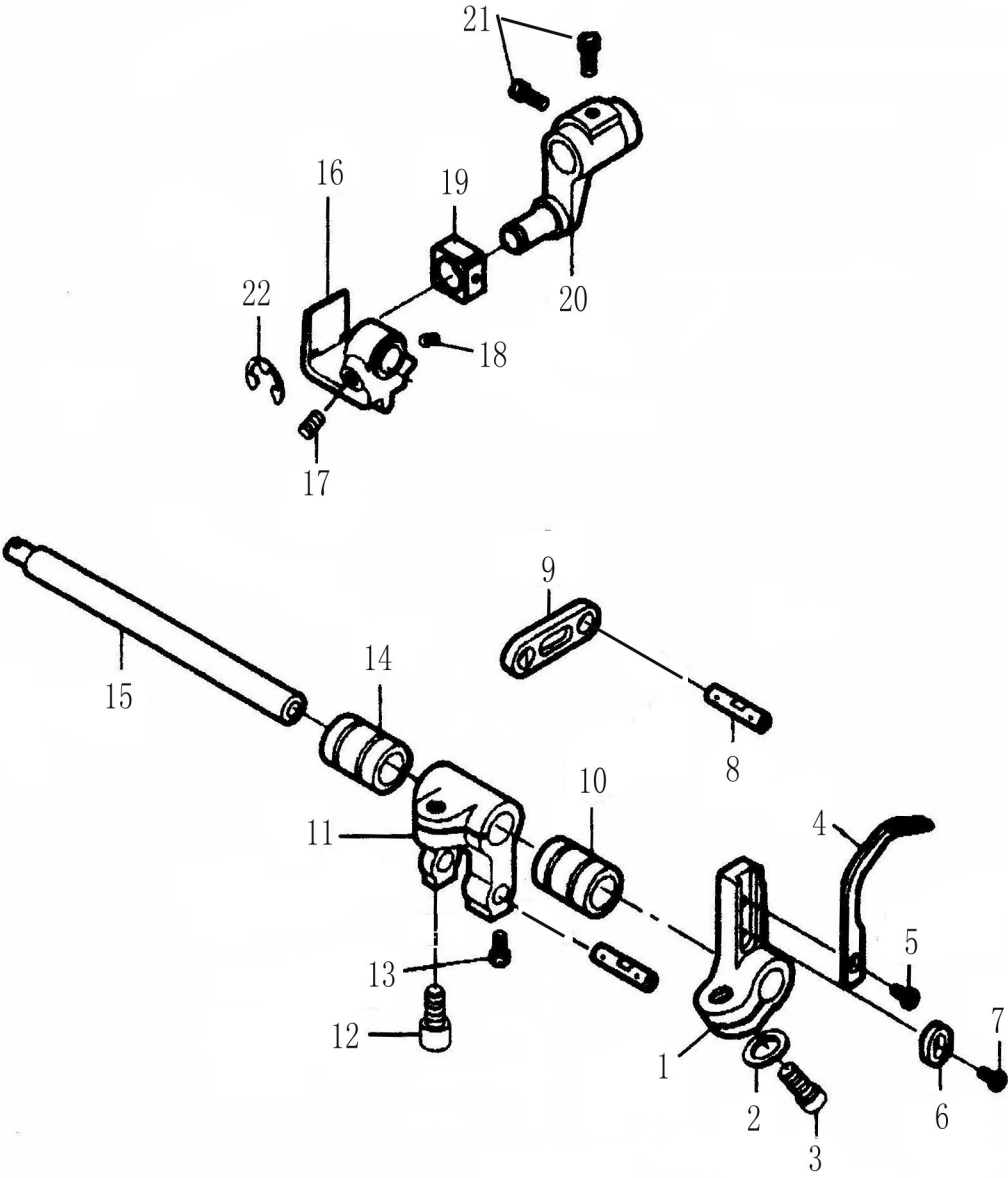


下弯针部件

LOWER LOOPER ASSEMBLIES

序号 No.	件号 Pars No.	名称	Description	数量 Number
1	10012273	下弯针轴	lower looper shaft	1
2	10010380	下弯针轴	lower looper shaft	1
3	10010111	垫圈	washer	1
4	10009486	螺钉	screw	1
5	10009125	轴套	bushing	1
6	10010762	内间隔套	bushing	1
7	10010012	下弯针球曲柄	crank	1
8	10010045	螺钉	screw	1
9	10012337	下弯针球曲柄	crank	1
10	10010561	螺钉	screw	2
11	10010197	螺钉	screw	2
12	10009127	轴套	bushing	1
13	10010000	油封	oil seal	1
14	10003976	下弯针架组件	lower looper holder assembly	1
15	10002995	垫圈	washer	1
16	10010381	螺钉	screw	1
17	10010003	下弯针	lower looper	1
18	10010004	下弯针过线板	thread guide	1
19	10010568	螺钉	screw	1
20	10010367	螺钉	screw	1
21	10011039	弯针三孔过线板	thread guide	1
22	10005537	垫圈	washer	1
23	10003909	挡圈	guide	2
24	10008791	下弯针连杆	link	1
25	10004136	螺钉	screw	4
26	10011038	下弯针轴两孔挑线板	thread take-up	1
27	10010367	螺钉	screw	

链缝机构部件 /CHAINSTITCH LOOPER ASSEMBLIES(757 专用)

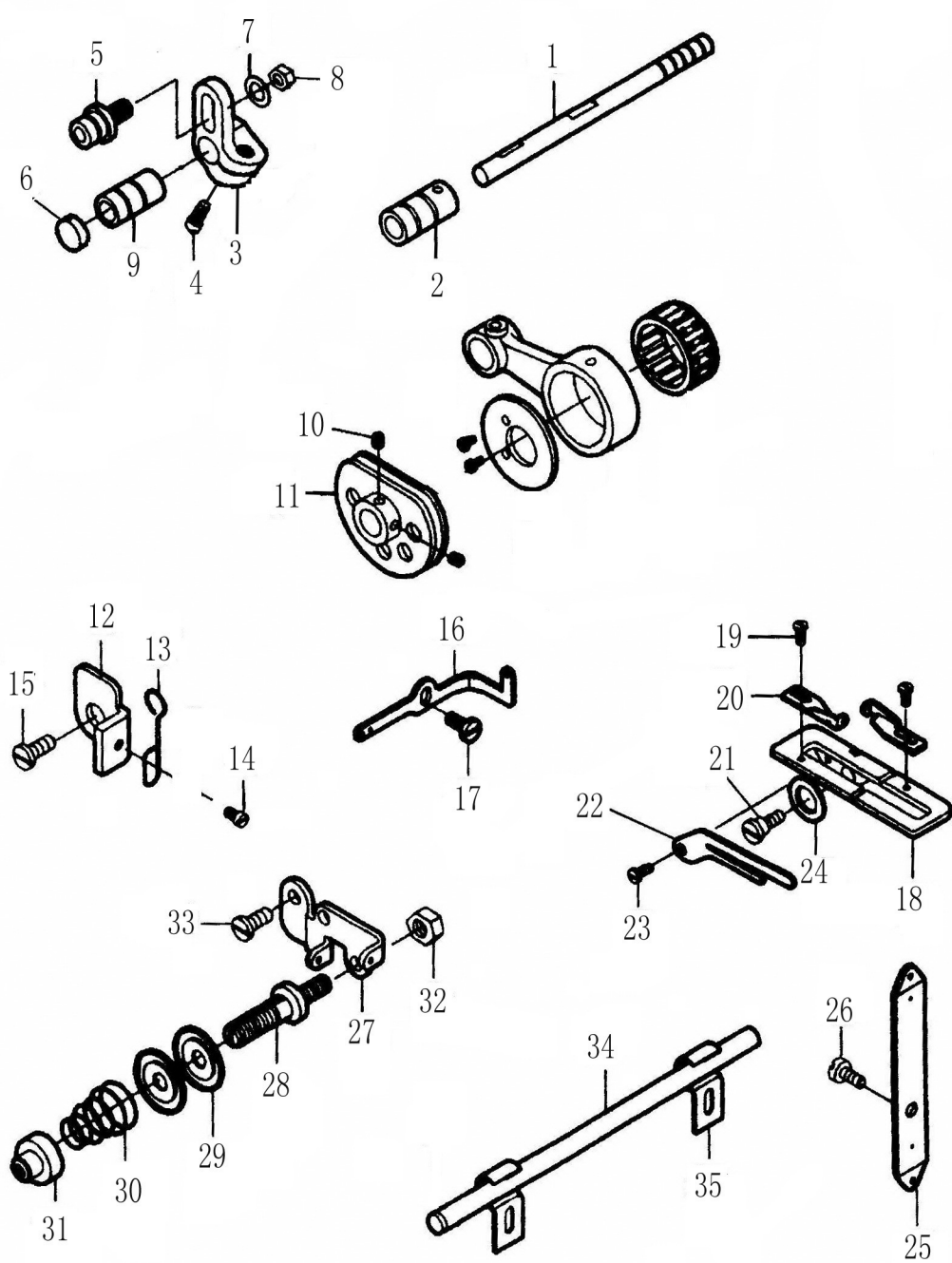


链缝机构部件

CHAINSTITCH LOOPER ASSEMBLIES

序号 No.	件号 Pars No.	名称	Description	数量 Number
1	10012274	链弯针架	looper holder	1
2	10002995	垫圈	washer	1
3	10010381	螺钉	screw	1
4	10012275	链弯针	chainstitch looper	1
5	10009580	螺钉	screw	1
6	10012350	链弯针调节垫	regulating washer	1
7	10012324	螺钉	screw	1
8	10012271	调节板销	pin	2
9	10009116	链弯针连杆	link	1
10	10012063	轴套	bushing	1
11	10012272	链弯针曲柄	crank	1
12	10010045	螺钉	screw	1
13		螺钉	screw	1
14	10008799	轴套	bushing	1
15	10012367	链弯针轴	shaft	1
16	10012021	弯针摆轴接杆	driving lever	1
17	10012062	螺钉	screw	1
18	10012016	螺钉	screw	1
19	10012276	链弯针滑块	block	1
20	10012368	驱动曲柄	driving crank	1
21	10010291	螺钉	screw	2
22	10023263	挡圈	ring	1

打线凸轮部件 / CAM ASSEMBLIES (757 专用)

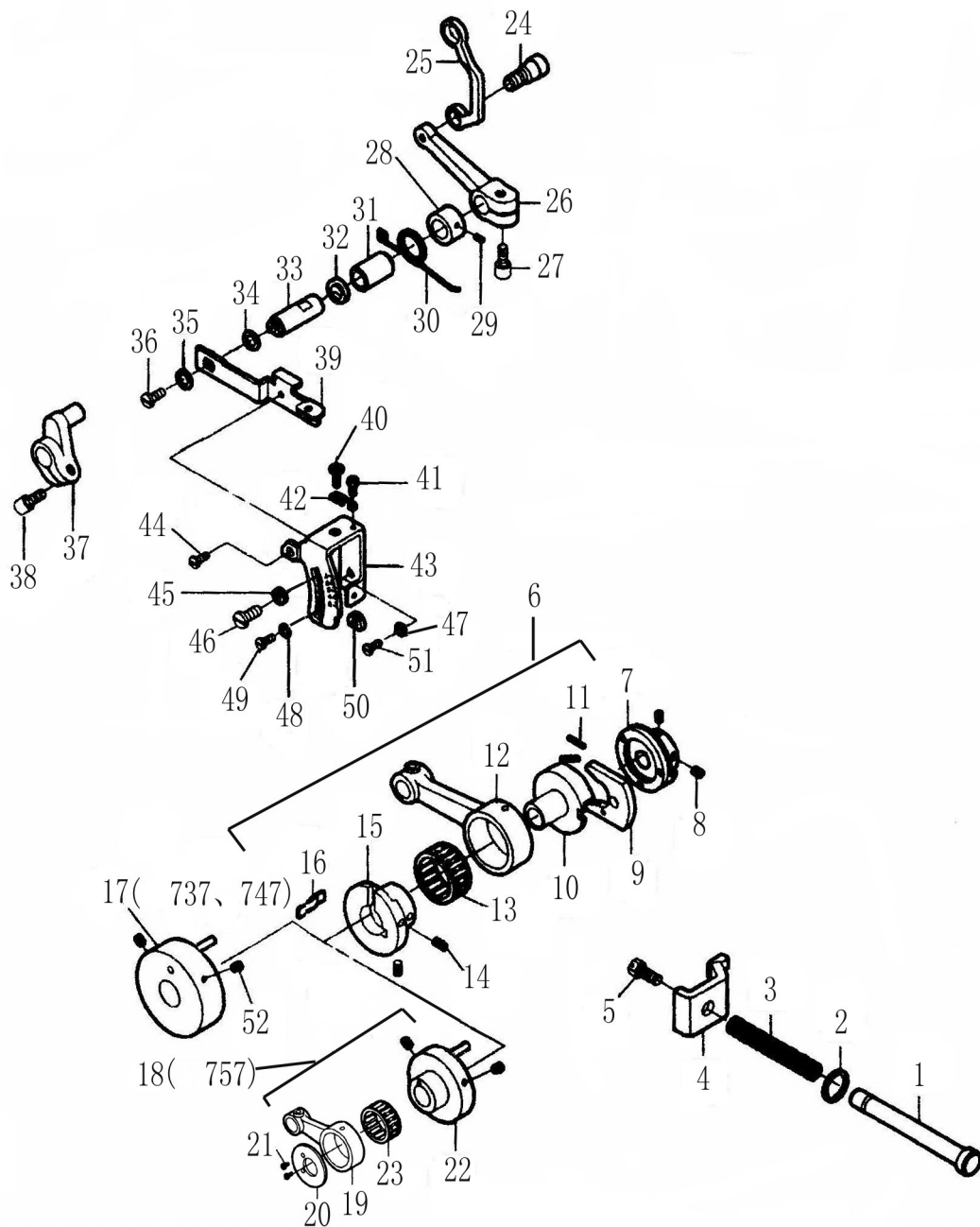


打线凸轮部件

CAM ASSEMBLIES

序号 No.	件号 Pars No.	名称	Description	数量 Number
1	10012352	横轴曲柄轴	shaft	1
2	10012045	轴套	bushing	1
3	10012353	横轴曲柄	crank	1
4	10010045	螺钉	screw	1
5	10012354	曲柄调整销	pin	1
6	10012268	油封	oil seal	1
7	10002995	垫圈	washer	1
8	10012355	螺母	nut	1
9	10012064	轴套	bushing	1
10	10010196	螺钉	screw	2
11	10012361	打线凸轮组件	looper thread take up assembly	1
12	10012384	限位板	guide plate	1
13	10012385	过线环	thread guide hook	1
14	10009363	螺钉	screw	1
15	10010308	螺钉	screw	1
16	10012386	双孔过线板	thread guide	1
17	10010120	螺钉	screw	1
18	10005470	导线架组件	bracket assembly	1
19	10011033	螺钉	screw	2
20	10012381	过线板	thread guide	2
21	10012382	螺钉	screw	1
22	10012383	导线板	thread guide	1
23	10009363	螺钉	screw	1
24	10010596	垫圈	washer	2
25	10010119	后导线板	thread guide	1
26	10010120	螺钉	screw	1
27	10012387	夹线器架	bracket	1
28	10012388	开口螺栓	screw	1
29	10010613	夹线板	tension disc	2
30	10010612	弹簧	spring	1
31	10012389	调压螺母	knob	1
32	10010370	螺母	nut	1
33	10010006	螺钉	screw	1
34	10010604	链弯横过线管	thread guide pipe	1
35	10010118	过线管压板	bracket	2

差动送布部件 / DIFFERENTIAL FEED ASSEMBLIES

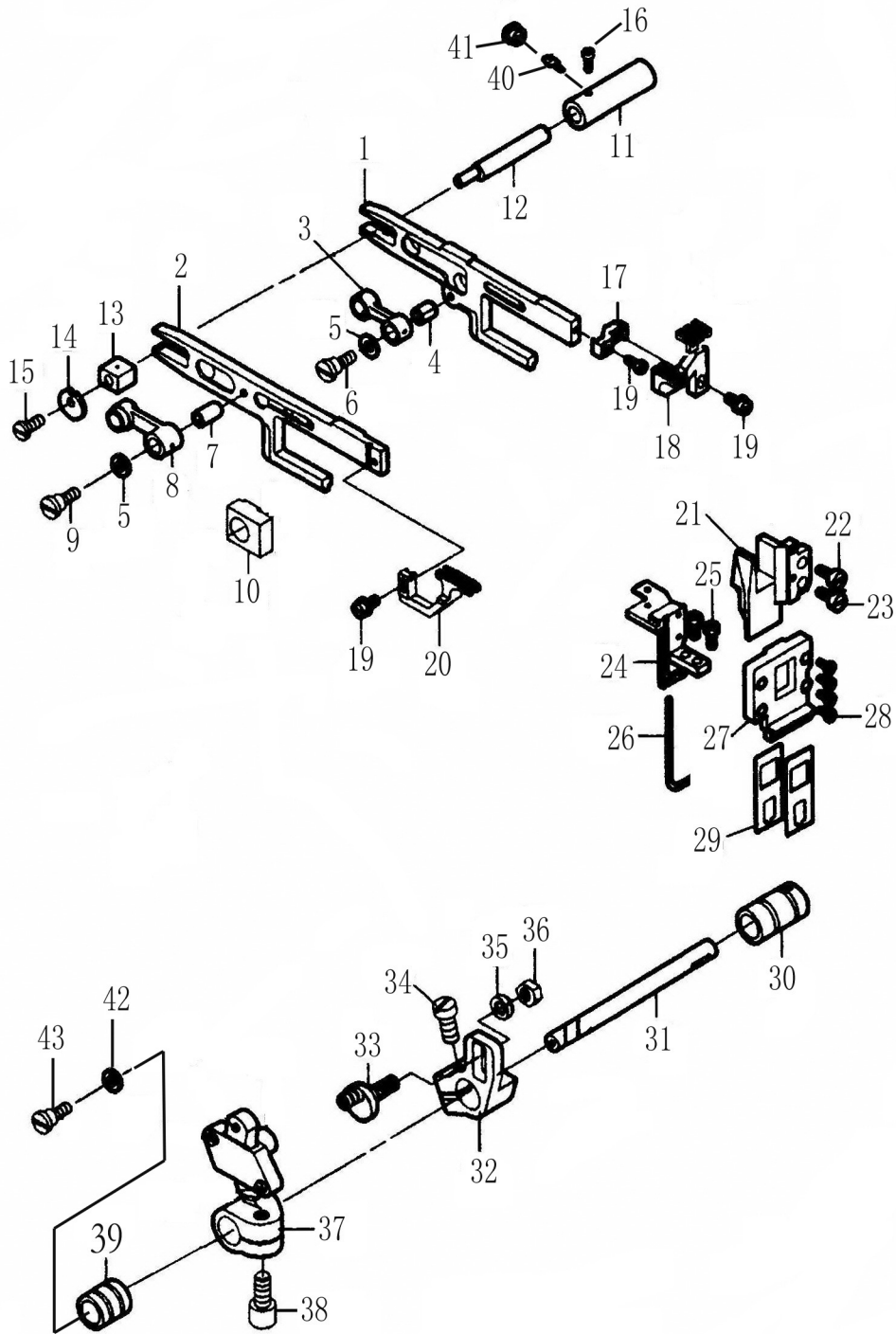


差动送布部件

DIFFERENTIAL FEED ASSEMBLIES

序号 No.	件号 Pars No.	名称	Description	数量 Number
1	10010879	送布调节杆	push button	1
2	10010881	O形圈	O ring	1
3	10010880	弹簧	spring	1
4	10010912	针距调节卡板	press board	1
5	10009486	螺钉	screw	1
6	10010077	送布凸轮组件	eccentric assembly	1
7	10003947	内齿圈座	bracket	1
8	10010078	螺钉	screw	2
9	10003951	扇齿板	regulating block	1
10	10003955	齿板滑道体	cam	1
11	10003953	弹簧	spring	2
12	10003942	针距轴连杆	feed link	1
13	10003941	轴承	bearing	1
14	10003939	螺钉	screw	2
15	10003938	偏心轴套	cam	1
16	10003940	板簧片	spring plate	1
17	10006868	送布凸轮挡圈组件	collar assemblies	1
18	10014514	横轴连杆组件	rod assemblies	1
19	10012121	横轴连杆	link	1
20	10012356	挡圈	cover	1
21	10004958	螺钉	screw	2
22	10012132	曲柄连杆凸轮	link cam	1
23	10012122	轴承	bearing	1
24	10010840	螺钉	screw	1
25	10010890	差动连杆	link	1
26	10010889	差动曲柄	crank	1
27	10010045	螺钉	screw	1
28	10010891	挡圈	collar	1
29	10010291	螺钉	screw	1
30	10010892	复位扭簧	spring	1
31	10009123	轴套	bushing	1
32	10008988	油封	oil seal	1
33	10010872	差动机构轴	shaft	1
34	10010873	垫圈	washer	1
35	10009725	垫圈	washer	1
36	10010308	螺钉	screw	1
37	10010878	送布曲柄	crank	1
38	10010045	螺钉	screw	1
39	10010893	差动调节杆	rod	1
40	10010869	差动上限调节螺钉	screw	1
41	10009747	螺钉	screw	1
42	10010868	防动夹簧	spring	1
43	10010874	差动调节架	differential regulating holder	1
44	10010367	螺钉	screw	1
45	10010917	调节杆定位螺母	nut	1
46	10010897	螺钉	screw	1
47	10012318	垫圈	washer	1
48	10012836	垫圈	washer	1
49	10010120	螺钉	screw	1
50	10010894	调节滑块	block	1
51	10010367	螺钉	screw	1
52	10010078	螺钉	screw	2

拾牙送布部件 / FEED ASSEMBLIES

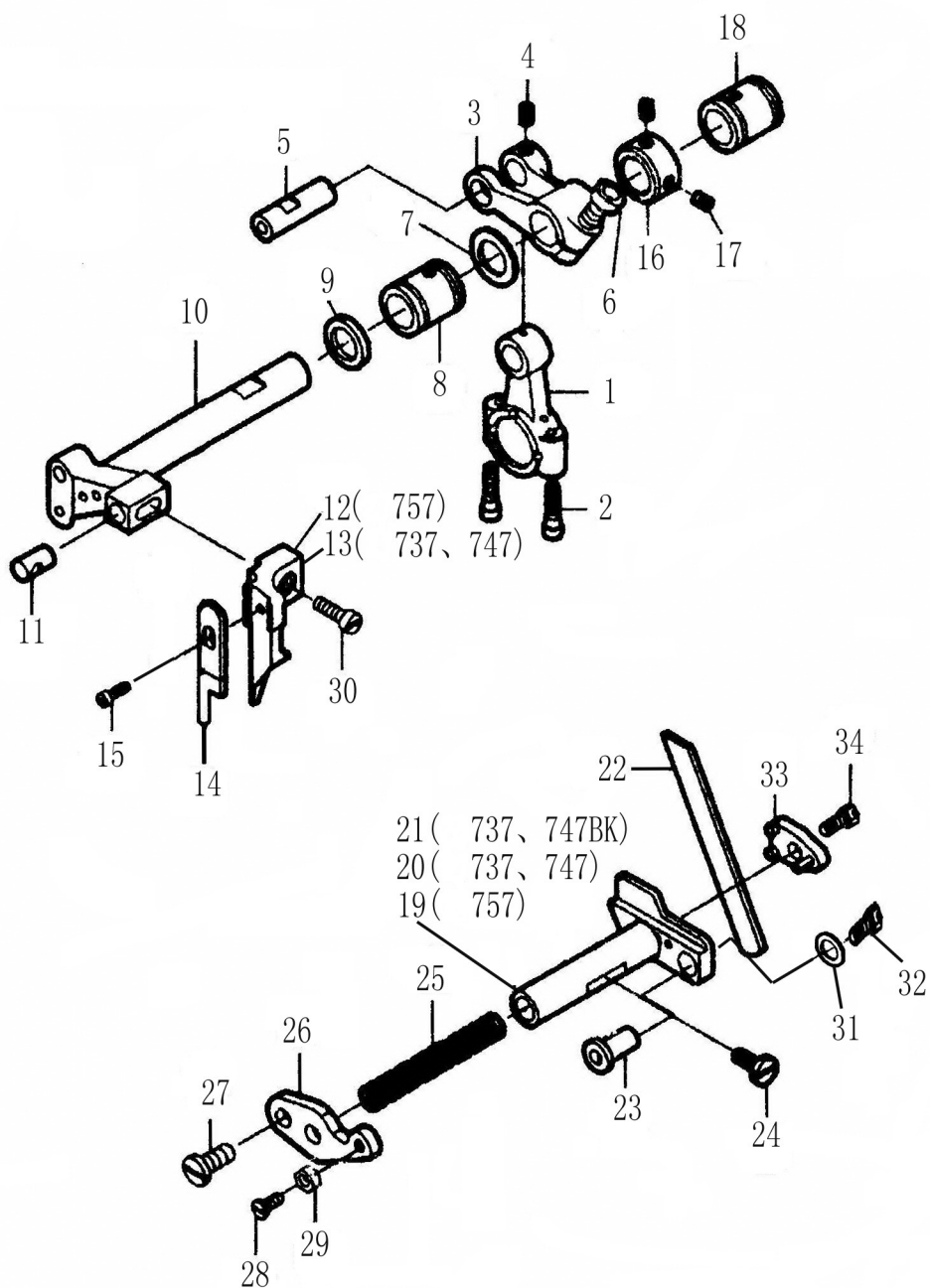


拾牙送布部件

FEED ASSEMBLIES

序号 No.	件号 Pars No.	名称	Description	数量 Number
1	10010914	送布牙架	main feed bar	1
2	10010884	差动牙架	differential feed bar	1
3	10010885	送布牙架连杆	main feed link	1
4	10010918	送布牙架连杆套	bushing	1
5	10009571	垫圈	washer	2
6	10010919	螺钉	screw	1
7	10010915	差动牙架连杆套	bushing	1
8	10010920	差动牙架连杆	differential feed link	1
9	10010938	螺钉	screw	1
10	10010939	拾牙滑块	feed bar lift	1
11	10010882	轴套	bushing	1
12	10010940	滑块偏心轴	eccentric pin	1
13	10010946	差动送布滑块	block	1
14	10010941	垫圈	washer	1
15	10010395	螺钉	screw	1
16	10010291	螺钉	screw	1
17	10010886	送布牙架连接板	link plate	1
18	*	送料牙组件	main feed dog assembly	1
19	10010942	螺钉	screw	3
20	*	差动送布牙	differential feed dog	1
21	10010445	牙架导轨	feed bar guide	1
22	10010006	螺钉	screw	1
23	10010279	螺钉	screw	1
24	10010448	挡板支架	bracket	1
25	10013051	螺钉	screw	2
26	10010449	挡板密封胶条	seal rubber	1
27	10010446	牙架导轨挡板	guide	1
28	10009747	螺钉	screw	4
29	10010280	活动油封	oil seal	2
30	10009051	轴套	bushing	1
31	10010871	送布轴	feed shaft	1
32	10010875	送布调整曲柄	crank	1
33	10010911	送布连杆偏心轴	eccentric pin	1
34	10010045	螺钉	bolt	1
35	10010876	垫圈	washer	1
36	10012355	螺母	nut	1
37	10011215	差动调节曲柄组件	crank assembly	1
38	10010045	螺钉	bolt	1
39	10009038	轴套	bushing	1
40	10010291	螺钉	screw	1
41	10010913	橡胶塞	plug	1
42	10010111	垫圈	washer	1
43	10010308	螺钉	screw	1

切布机构部件 / KNIFE DRIVE ASSEMBLIES

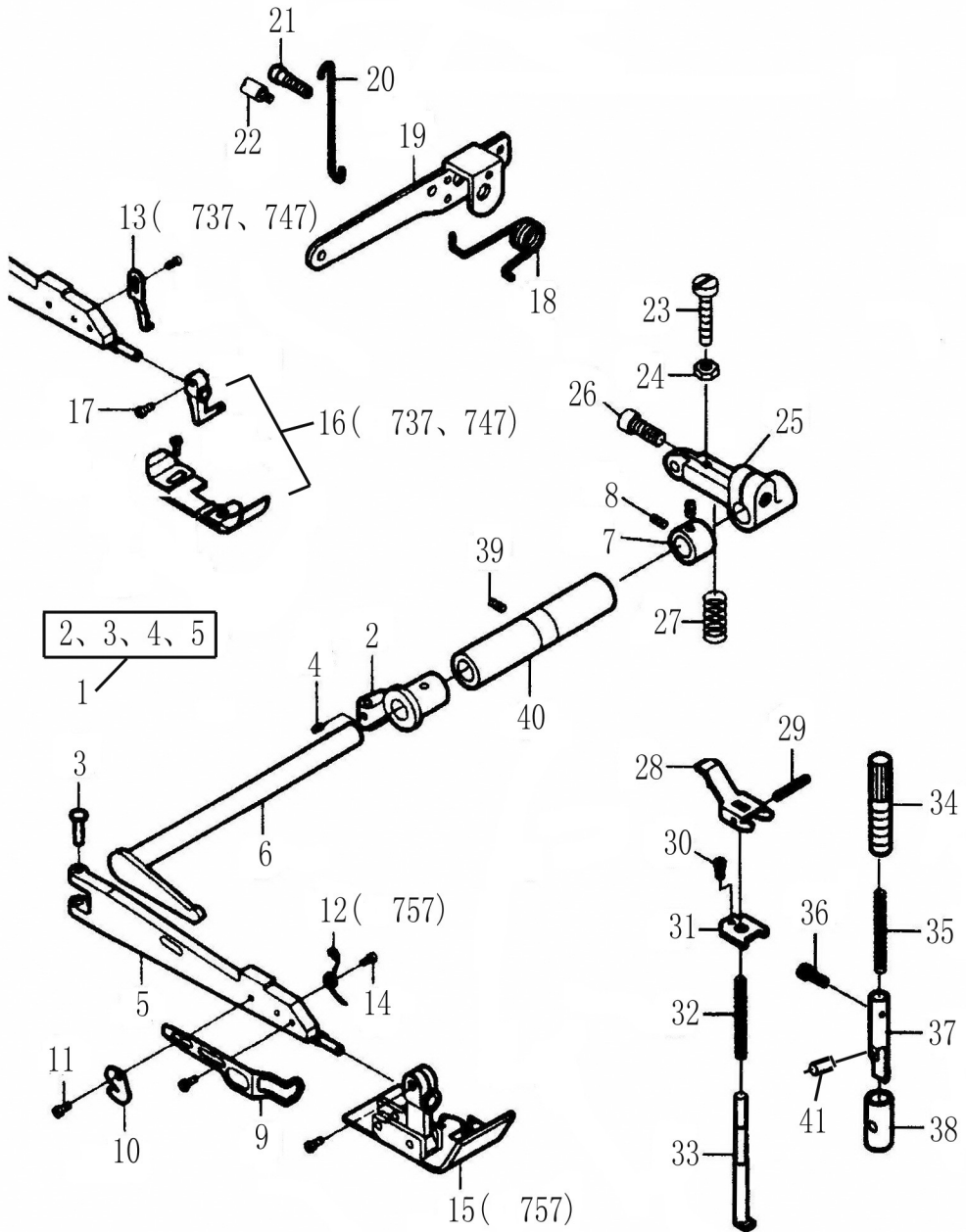


切布机构部件

KNIFE DRIVE ASSEMBLIES

序号 No.	件号 Pars No.	名称	Description	数量 Number
1	10010483	上刀轴连杆	connecting rod	1
2	10004136	螺钉	bolt	2
3	10010046	上刀曲柄	crank	1
4	10013590	螺钉	screw	1
5	10010047	上刀曲柄销	pin	1
6	10010045	螺钉	bolt	1
7	10010234	垫圈	washer	1
8	10009121	轴套	bushing	1
9	10008986	油封	oil seal	1
10	10010289	上刀轴	upper blade lever	1
11	10010346	上刀轴销	pin	1
12	10012118	上刀座	upper blade clamp	1
13	10010347	上刀座	upper blade clamp	1
14	10010348	上切刀	upper blade	1
15	10010244	螺钉	screw	1
16	10010290	挡圈	collar	1
17	10010291	螺钉	screw	2
18	10009120	轴套	bushing	1
19	10012119	下刀架	lower blade holder	1
20	10010383	下刀架	lower blade holder	1
21	10010844	下刀架	lower blade holder	1
22	10010384	下切刀	lower blade	1
23	10010387	下刀架套筒	bushing	1
24	10010367	螺钉	screw	1
25	10010385	弹簧	spring	1
26	10010386	下刀架挡板	baffle	1
27	10010006	螺钉	screw	1
28	10010568	螺钉	screw	1
29	10009701	螺母	nut	1
30	10010367	螺钉	screw	1
31	10012318	垫圈	washer	1
32	10010388	螺钉	screw	1
33	10009485	下刀压板	lower blade clamp	1
34	10009486	螺钉	screw	1

压脚机构部件 /PRESSER FOOT ASSEMBLIES

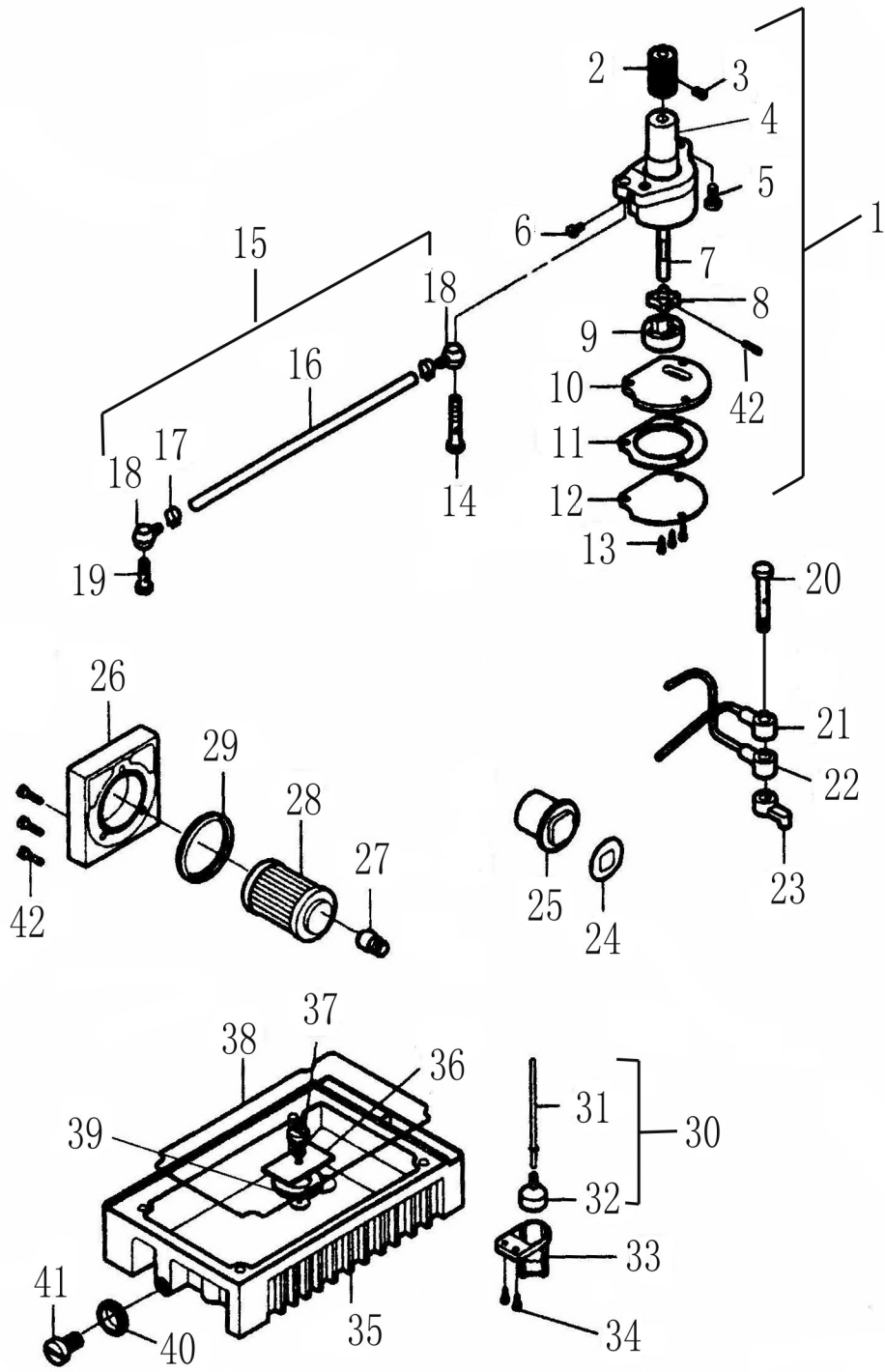


压脚机构部件

PRESSER FOOT ASSEMBLIES

序号 No.	件号 Pars No.	名称	Description	数量 Number
1	10008793	压脚架组件	presser foot holder assembly	1
2	10010656	压脚架铰接座	presser foot holder linker	1
3	10010655	压脚架销	pin	1
4	10009710	螺钉	screw	1
5	10004210	压脚架	presser foot holder	1
6	10010657	压脚架轴	shaft	1
7	10010659	挡圈	collar	1
8	10010196	螺钉	screw	2
9	10010660	护指罩	finger guard	1
10	10009318	割线刀	thread cutter	1
11	10010661	螺钉	screw	1
12	10012120	压脚限位簧	spring	1
13	10010662	压脚限位板	regulator	1
14	10009747	螺钉	screw	2
15	*	压脚	presser foot	1
16	*	压脚	presser foot	1
17	10009580	螺钉	screw	1
18	10010035	转臂复位扭簧	spring	1
19	10010033	压脚横转臂	foot lift	1
20	10010031	竖拉杆	hook	1
21	10010034	螺钉	screw	1
22	10010036	螺柱	screw	1
23	10009996	螺钉	screw	1
24	10010370	螺母	nut	1
25	10009995	压脚曲柄	crank	1
26	10010045	螺钉	screw	1
27	10010032	压脚曲柄复位弹簧	spring	1
28	10009706	抬压扳手	lifting handle	1
29	10002776	销	pin	1
30	10009759	螺钉	screw	1
31	10009758	抬压扳手座	bracket	1
32	10009760	抬杆压簧	spring	1
33	10009761	抬杆	lifting pin	1
34	10009364	调压螺钉	screw	1
35	10009365	压杆簧	spring	1
36	10009396	抬压杆螺钉	screw	1
37	10009395	压杆	presser bar	1
38	10009366	压杆套	presser bar bushing	1
39	10012062	螺钉	screw	1
40	10010658	压脚轴套	presser foot shaft bushing	1
41	10009705	压杆弹性销	pin	1

润滑部件 / LUBRICATION ASSEMBLIES

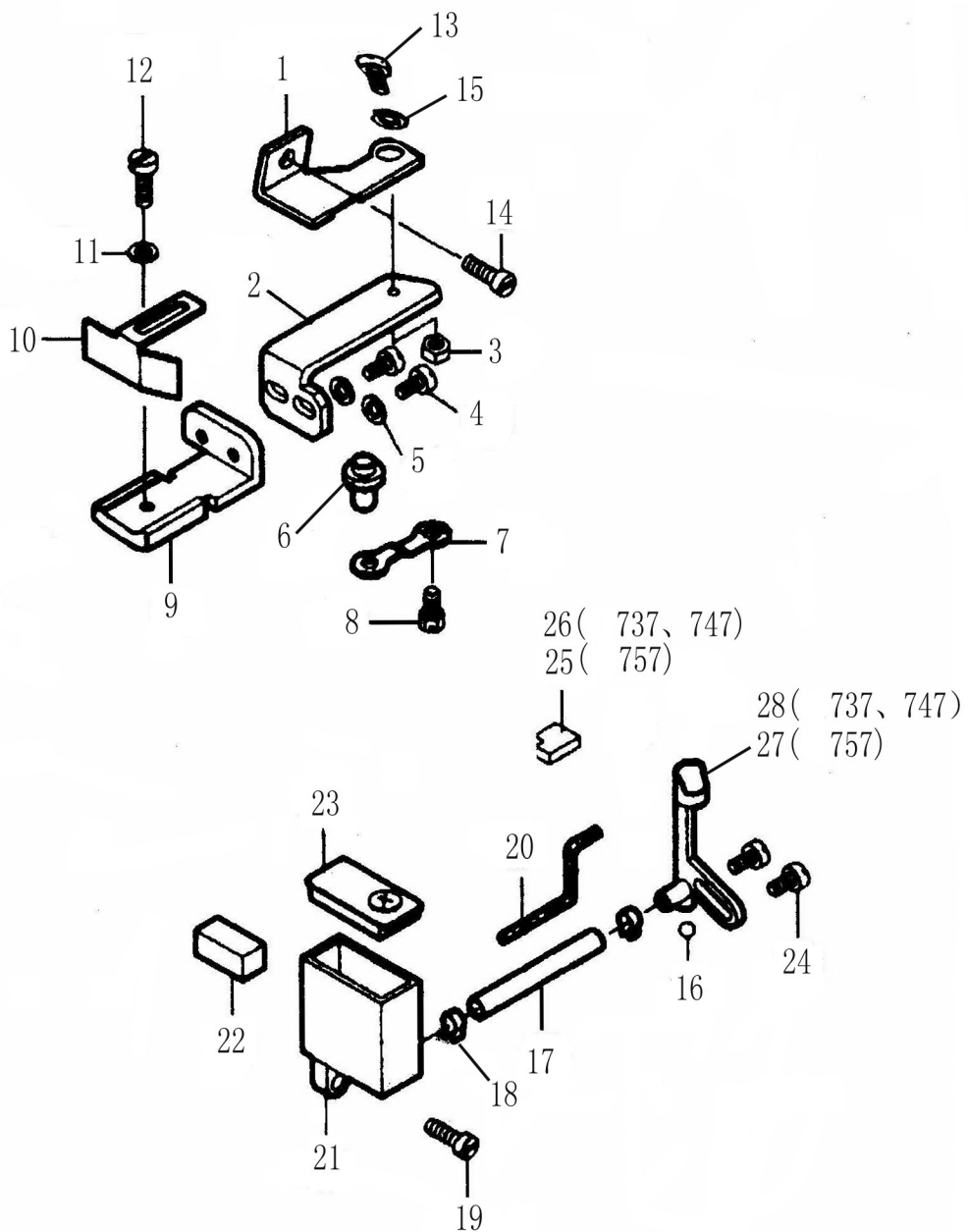


润滑部件

LUBRICATION ASSEMBLIES

序号 No.	件号 Pars No.	名称	Description	数量 Number
1	10010944	油泵组件	oil pump assembly	1
2	10004385	油泵蜗轮	worm gear	1
3	10004386	螺钉	screw	1
4	10004410	油泵体	oil pump asm	1
5	10010991	螺钉	screw	1
6	10004123	螺钉	screw	1
7	10004387	油泵轴	pump shaft	1
8	10004388	油泵五星齿轮	oil pump rotor	1
9	10004389	油泵外转子	outside rotor	1
10	10003202	端盖	cover plate	1
11	10004395	油泵滤网	filter	1
12	10004398	油泵滤网压盖	clamp cover	1
13	10010948	螺钉	screw	3
14	10010975	螺钉	screw	1
15	10010972	油管组件	oil tube assembly	1
16	10007796	油管	oil tube	180mm
17	10010973	油管箍	clamp	2
18	10004425	油管接头	joint	2
19	10010976	螺钉	screw	1
20	10010987	螺钉	screw	1
21	10010984	上配油器	upper screen	1
22	10010985	下配油器	lower screen	1
23	10010986	润滑套	lubricate bushing	1
24	10010686	油窗指示牌	indicator	1
25	10010009	前油窗	vernier bow	1
26	20003618	滤油器盖	oil cleaner cover	1
27	10010122	滤油器接头	oil cleaner joint	1
28	10010300	滤油器	oil cleaner	1
29	10010121	O形圈	o ring	1
30	10010482	油量显示组件	oil sight gauge	1
31	10004256	油量显示杆	oil sight link	1
32	10004308	油量显示座	oil sight bracket	1
33	10010007	油量显示支架	oil sight guard	1
34	10010120	螺钉	screw	2
35	10010988	油盘	oil pan	1
36	10010989	油盘磁铁压板	cover plate	1
37	10011026	螺钉	screw	1
38	10010990	油盘密封垫	gasket	1
39	10004427	油盘磁铁	oil pan magnet	1
40	10009263	垫圈组件	oil seal	1
41	10009264	螺钉	screw	1
42	10002816	销	pin	1

送布挡料部件 / FEED ASSEMBLIES



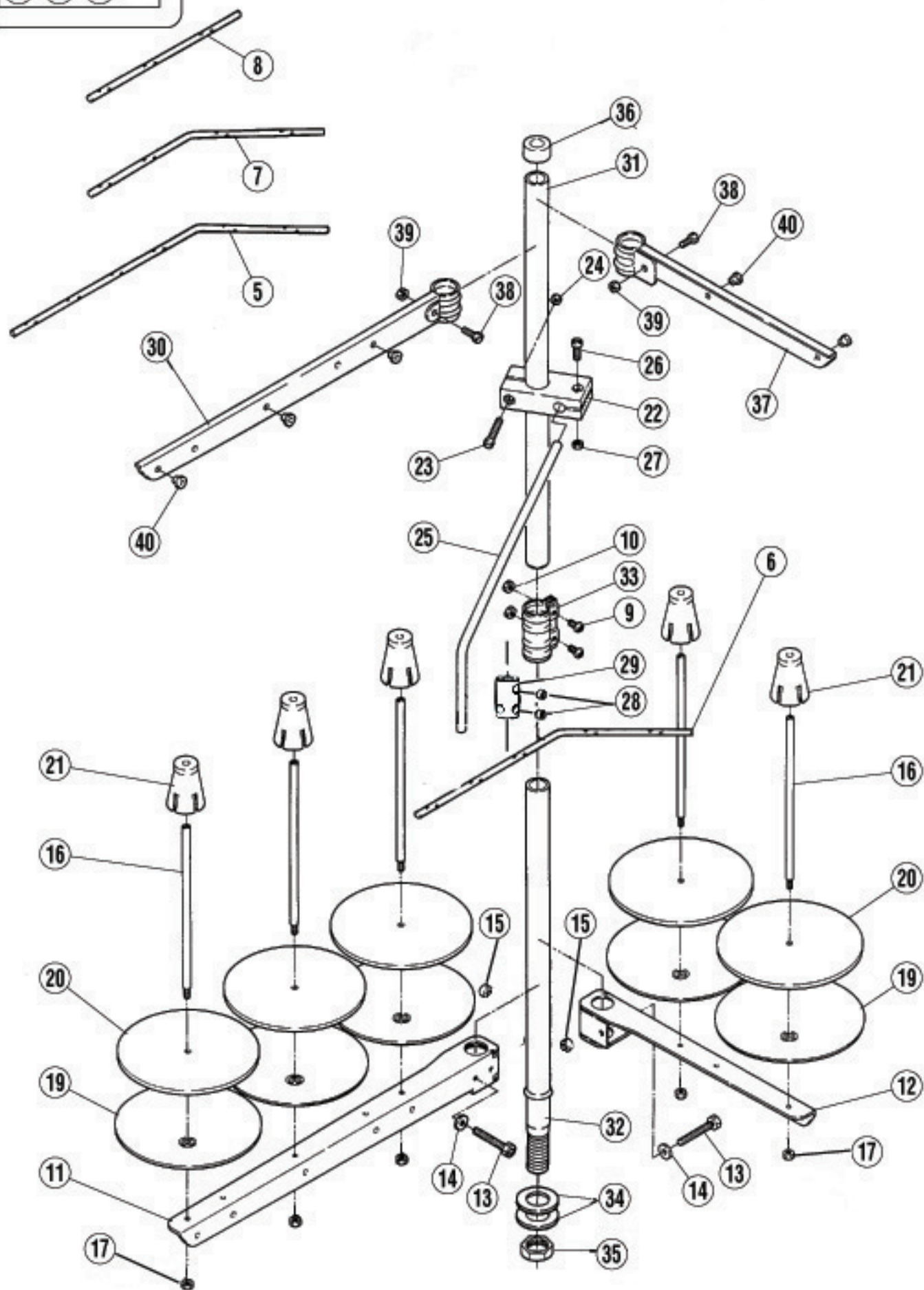
送布挡料部件

FEED ASSEMBLIES

序号 No.	件号 Pars No.	名称	Description	数量 Number
1	10011058	挡料板支座	hinge plate	1
2	10011018	挡料板上转臂	cloth guide holder	1
3	10010370	螺母	nut	1
4	10010244	螺钉	screw	2
5	10009725	垫圈	washer	2
6	10011019	转臂定位块	pin	1
7	10011056	转臂定位簧	plate spring	1
8	10011020	螺钉	screw	1
9	10011059	挡料板下转臂	cloth guide holder	1
10	*	挡料板	guide plate	1
11	10009725	垫圈	washer	1
12	10009363	螺钉	screw	1
13	10011057	螺钉	screw	1
14	10009994	螺钉	screw	1
15	10011021	垫圈	washer	1
16	10009826	钢球	plug	1
17	10007796	油管	oil tube	45mm
18	10010973	油管箍	clamp	2
19	10010367	螺钉	screw	1
20	10008072	油线	oil wick	300mm
21	10010979	下硅油盒	oil box	1
22	10010981	下硅油盒毛毡	oil felt	1
23	10010980	下硅油盒盖	cover	1
24	10010308	螺钉	screw	2
25	10012358	冷却油毡	oil felt	1
26	10010982	冷却油毡	oil felt	1
27	10012359	冷却油毡支架	needle cooler	1
28	10010983	冷却油毡支架	needle cooler	1

21、过线架 / THREAD STAND

1 · 2 · 3

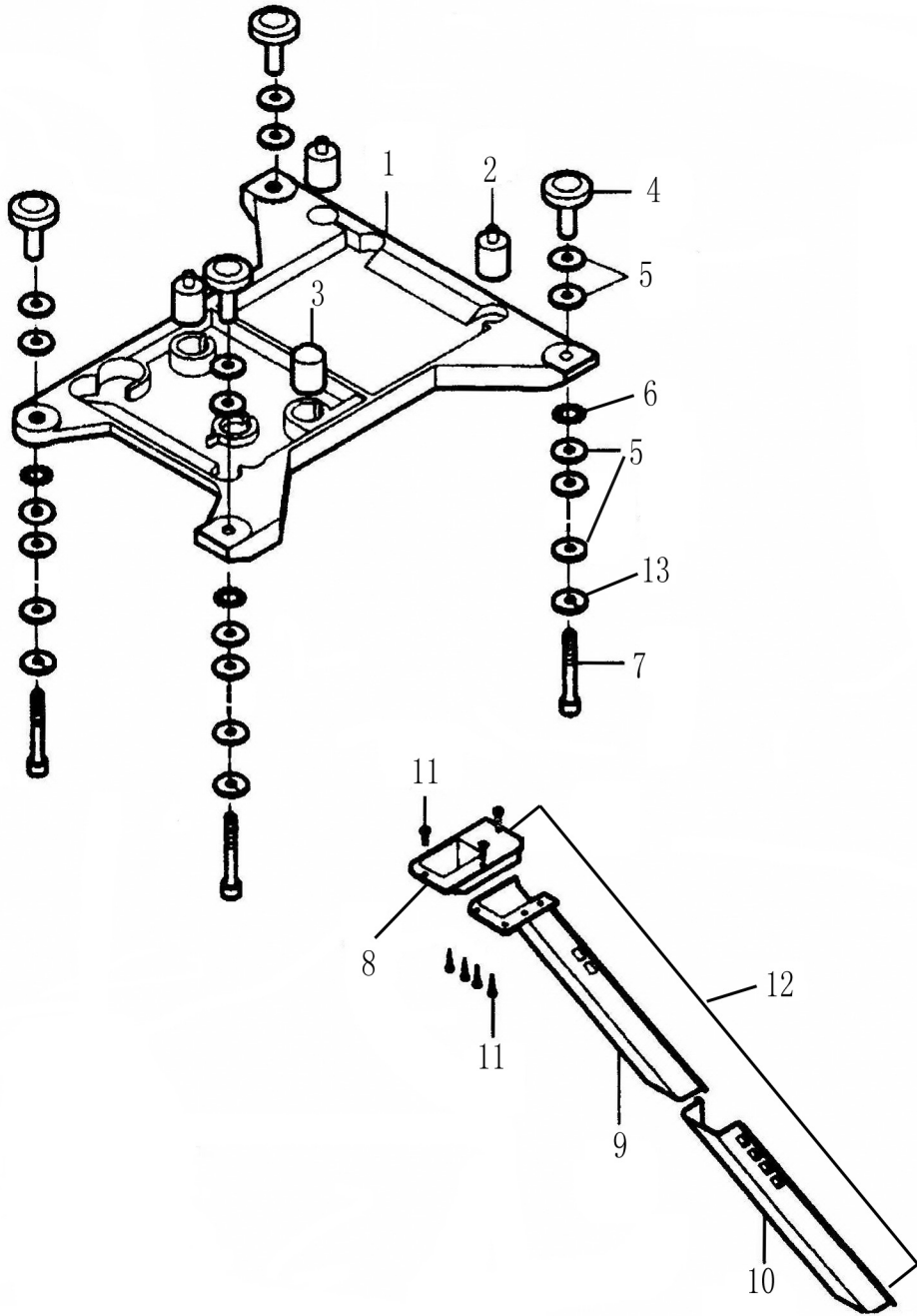


过线架

THREAD STAND

序号 No.	件号 Pars No.	名称	Description	数量
2	10004956	五线线架部件	5-SPOOL THREAD STAND ASSEMBLY	1
3	10007906	四线线架部件	4-SPOOL THREAD STAND ASSEMBLY	1
4	10008015	三线线架部件	3-SPOOL THREAD STAND ASSEMBLY	1
5	10005759	过线杆	THREAD GUIDE BAR	
6	10006076	过线杆	THREAD GUIDE BAR	1
7	10004359	过线杆	THREAD GUIDE BAR	1
8	10004438	过线杆	THREAD GUIDE BAR	1
9	10003301	螺钉	SCREW	2 2 2
10	10002953	螺母	NUT	2 2 2
11	10006351	下过线架	BRACKET	1 1
12	10004284	下过线架	BRACKET	1 2
13	10003312	螺钉	SCREW	2 2 1
14	10003022	垫圈	WASHER	2 2 1
15	10002953	螺母	NUT	2 2 1
16	10004288	线轴	SPOOL PIN	5 4 3
17	10002953	螺母	NUT	5 4 3
19	10004299	线盘	SPOOL TRAY	5 4 3
20	10004281	线盘软垫	CUSHION	5 4 3
21	10004287	线盘塑料压块	SPOOL RETAINING FIN	5 4 3
22	10004335	保持架	BRACKET	1 1 1
23	10002937	螺钉	SCREW	1 1 1
24	10005297	螺母	NUT	1 1 1
25	10004346	过线杆支杆	THREAD GUIDE BAR ROD	1 1 1
26	10002958	螺钉	SCREW	1 1 1
27	10005297	螺母	NUT	1 1 1
28	10002851	螺钉	SCREW	2 2 2
29	10004334	过线杆支柱	HOLDER	1 1 1
30	10006345	上过线架	BRACKET (3-SPOOL)	1 1
31	10004293	线架上撑管	THREAD STAND ROD	1 1 1
32	10004291	线架下撑管	THREAD STAND ROD	1 1 1
33	10004286	撑管夹	JOINT	1 1 1
34	10004290	垫圈	WASHER	2 2 2
35	10002985	螺母	NUT	1 1 1
36	10004282	线架上撑管套	ROD CAP	1 1 1
37	10004298	上过线架	BRACKET (2-SPOOL)	1 2
38	10003301	螺钉	SCREW	2 2 1
39	10002953	螺母	NUT	2 2 1
40	10004289	过线管	THREAD EYELET	5 4 3

托盘排料部件 / TRAY ROW MATERIAL ASSEMBLIES

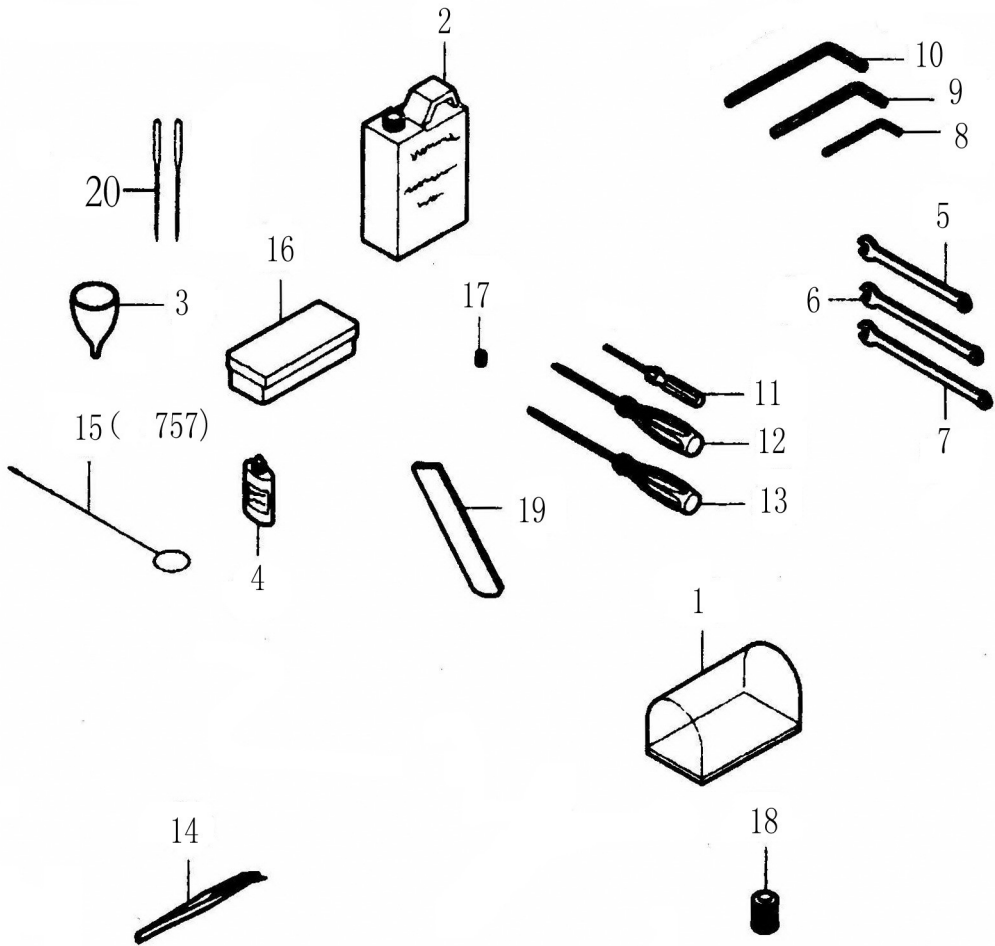


托盘排料部件

TRAY ROW MATERIAL ASSEMBLIES

序号 No.	件号 Pars No.	名称	Description	数量 Number
1	10004441	托盘	plate	1
2	10011067	支机定位胶垫	cushion	3
3	10010921	支机胶垫	cushion	1
4	10009596	螺套	screw	4
5	10009272	垫圈	washer	20
6	10009273	垫圈	washer	1
7	10003106	螺钉	bolt	4
8	10003944	下料口	waste chute	1
9	10002891	下料槽上节	waste chute	1
10	10003225	下料槽下节	waste chute	1
11	10008197	螺钉	screw	4
12	10004745	下料槽包装组件	waste chute assembly	1
13	10003331	垫圈	spring washer	4

随机附件部件 / ACCESSORIES

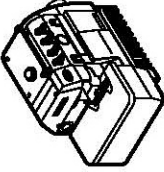
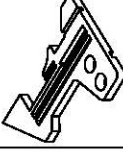
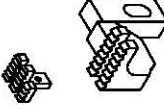









随机附件部件

ACCESSORIES

序号 No.	件号 Pars No.	名称	Description	数量 Number
1	10009269	机头罩	cover	1
2	10004882	油壶	oil can	1
3	10008932	漏斗	tundish	1
4	10011155	油壶	oil can	1
5	10014185	扳手6	spanner	1
6	10014122	扳手7	spanner	1
7	10014186	扳手8	spanner	1
8	10009683	2内六角扳手	inner-hexagon screw driver	1
9	10009689	5内六角扳手	inner-hexagon screw driver	1
10	10009688	6内六角扳手	inner-hexagon screw driver	1
11	10009270	内六角开刀	screw driver	1
12	10010995	中螺丝刀	screw driver	1
13	10010994	大螺丝刀	screw driver	1
14	10004247	镊子	tweezer	1
15	10014398	穿线器	guide	1
16	10008201	塑盒组件	box	1
17	10010196	螺钉	screw	4
18	10010300	滤油器	oil filter	1
19	10010384	下切刀	lower knife	1
20	*	机针	needle	2

专用件目录表 GAUGE PARTS LIST

									
机 型 MODEL	针 板 NEEDLE PLATE	主送料牙 FEED DOG	差动牙 FEED DOG	压 脚 PRESSER FOOT	上弯针 LOOPER	针 夹 NEEDLE CLAMP	前罩挡板 FRONT COVER	前护针挡 NEEDLE FRONT GUARD	机 针 NEEDLE
737A-504M2-04	10013479	10010887	10010947	10010663	10010199	10010434	10010529	10010404	10021310
737A-504M5-04BK	10010709	10004535	10011214	10007356	10010199	10010434	10011091	10010404	10021310
747A-514M2-24	10010191	10010887	10010947	10012060	10010199	10012059	10010529	10010404	10021310
747A-514M5-23BK	10013871	10004535	10011214	10011185	10010199	10012059	10011091	10010404	10021310
757A-516M2-35	10012320	10012133	10012357	10012351	10010199	10012335	10013373	10013344	10004900
757A-516M2-55	10005892	10012133	10005893	10005874	10010199	10005873	10013373	10013344	10004900