



# 高速双针平缝机 ZJ8450 系列

HIGH SPEED TWIN NEEDLE LOCKSTITCH SEWING MACHINE

## 零件手册

PARTS BOOK

中国·中捷缝纫机股份有限公司  
ZOJE SEWING MACHINE CO., LTD.

# 零件手册使用说明

1. 本手册适用于封面上所示同种系列的缝纫机。
2. 本手册为2006年3月的版本。
3. 部分零件设计上的改变不预先通知用户。
4. 用 [ ] 标注部分属于组件部分

## 目 录

A. 机壳部件.....	1	L. 下轴机构.....	21
B. 上轴机构.....	3	M. 润滑机构.....	23
C. 针杆机构.....	5	N1 夹线机构.....	27
D. 针杆切换操作部件.....	9	D. 自动剪线机构.....	29
E. 压脚机构.....	11	R. 拔线机构	
F. 送料机构.....	13	(自动剪线用) .....	33
H. 送料轴机构.....	15	S. 松线部件.....	35
P. 针组零件.....	15	T. 传感器机构.....	35
J. 倒缝机构.....	17	Z1. 附件部分.....	37
W. 倒缝开关组件.....	17	Z2. 附件部分.....	41
K. 旋梭机构.....	19	Wa. 警告标志.....	43

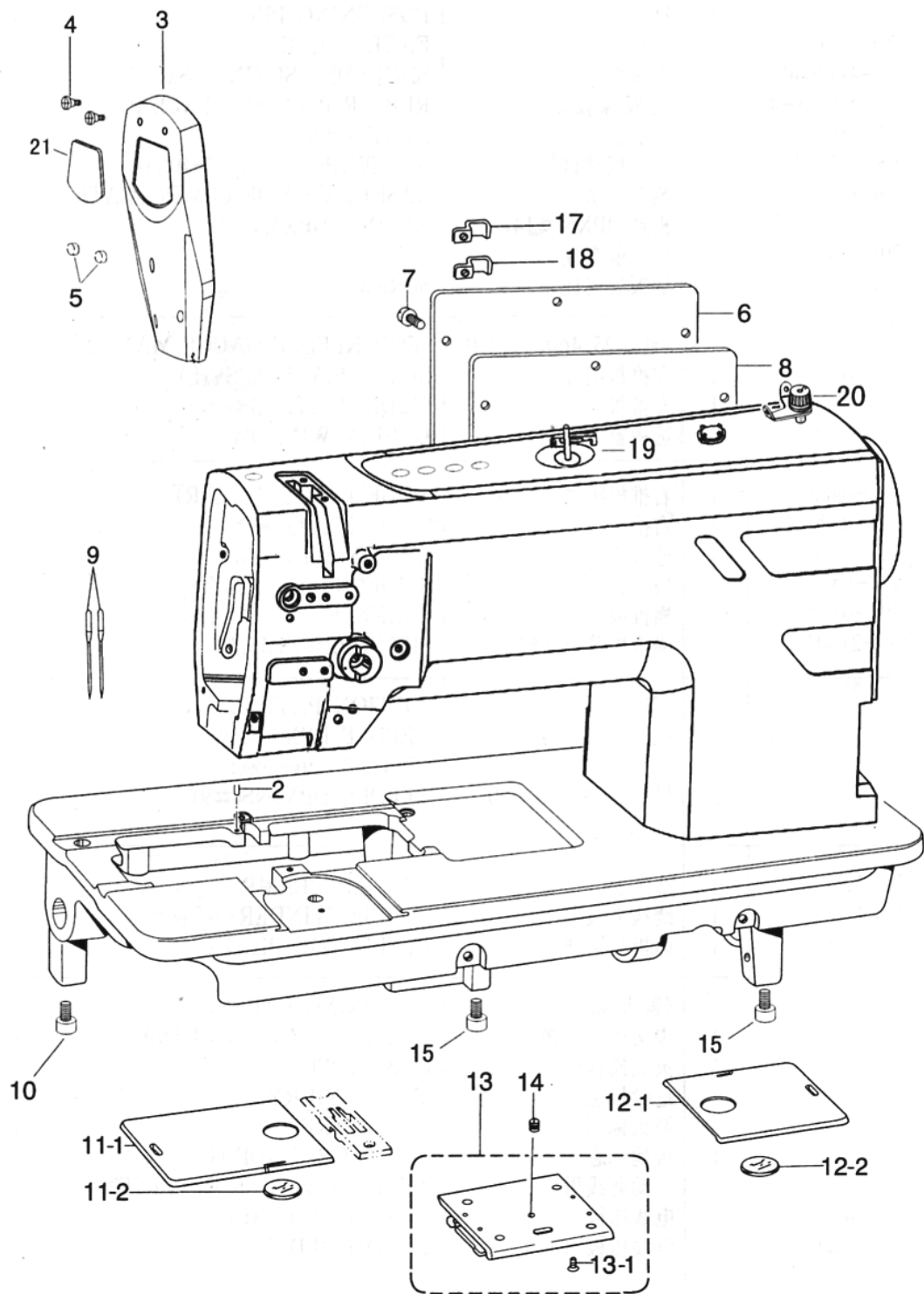
## Notes for using this parts book.

1. This book was prepared based on information available in March 2006.
2. Parts are subject to changes in design without prior notice.
3. Parts supplied complete assemblies are circled by a dotted line [ ] .

## CONTENTS

A. Machine body.....	1	T. Synchronizer.....	23
B. Needle bar rocking mechanism....	3	I. Quick reverse mechanism.....	25
C. Presser foot mechanism.....	5	W. Quick reverse switch mechanism.....	25
D. Feed mechanism.....	7	K. Lower shaft mechanism.....	27
E. Upper shaft mechanism.....	9	L1. Threading mechanism.....	29
H1. Rotary mechanism.....	11	G. Feed shaft mechanism.....	31
J. Lubrication.....	13	M. Gauge parts.....	31
Q. Thread Trimmer mechanism.....	17	Z1. Accessories.....	33
R. Thread wiper mechanism.....	21	Z2. Accessories.....	37
S. Tension release mechanism.....	23	Wa. Warning labels.....	39

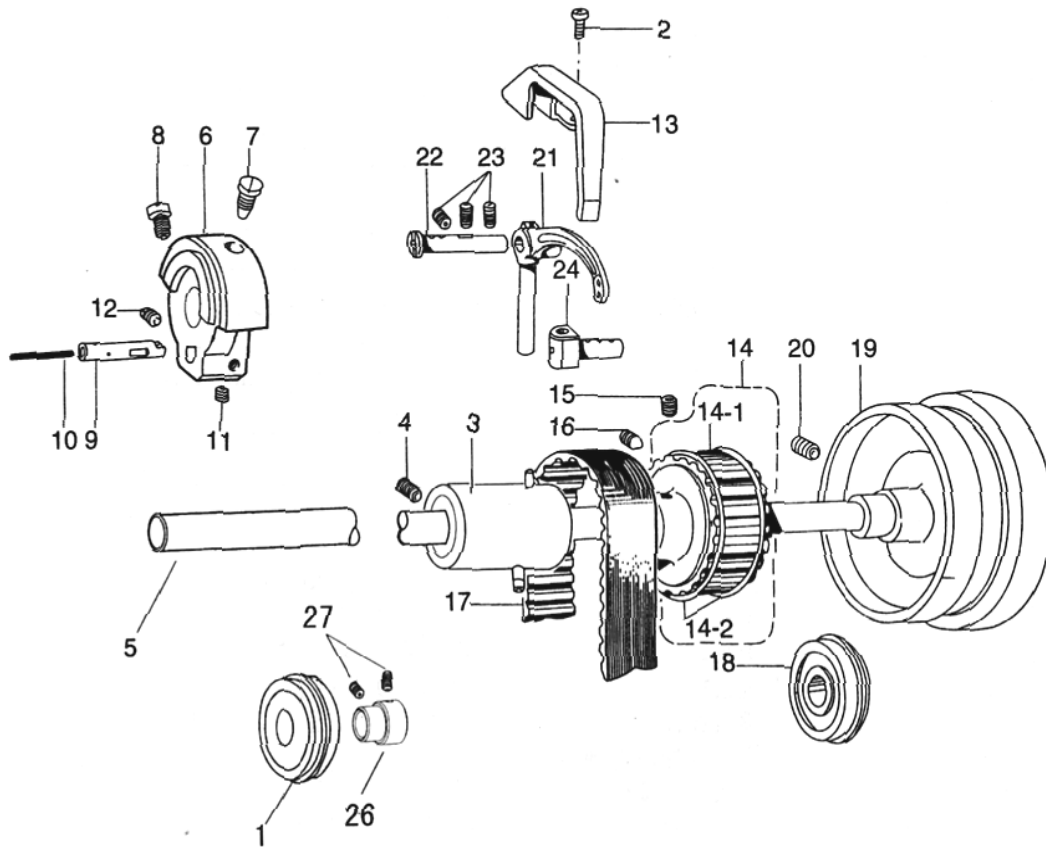
A 机壳部件/Machin body



## A 机壳部件/Machin boby

序号 No.	件号 Pars No.	名称	Description	数量 Number
2	10013612	针板销	POSITINING PIN	1
3	20003660	面板	PACE PLATE	1
4	10006556	面板螺钉	SHOULDER SCRING,	3
5	10008977	面板橡胶塞	RUBBER PLUG FOR FACE PLATE	2
6	20003546	后盖板	REAR COVER	1
7	10013647	后盖板螺钉	SCREW, PAN	7
8	10013362	侧盖板垫	GASKET OF SIDE COVER PLATE	1
9	10004858	机针 DPX5 (14#)	NEEDLE DPX5 (14#)	2
10	10013357	底板前支柱	SCREW	1
15	10013358	底板后支柱 (针幅25.4mm以内用)	SCREW (FOR NEEDLE GAUGE MAX. 1)	4
11	20000689	左推板组件	SLIDE APLTE ASSY (L)	1
11-1	10013558	左推板	SLIDE APLTE (L)	1
11-2	10013560	透视图	BOBBIN WINDOW	1
12	20000653	右推板组件	SLIDE PLATE ASSY (R)	1
12-1	10013605	右推板	SLIDE PLATE (R)	1
12-2	10013560	透视图	BOBBIN WINDOW	1
13	10006594	横推板组件	SLIDE PLATE ASSY (F)	1
13-1	10013563	横推板	SCREW, FLAT	4
14	10013637	横推板紧定螺钉 (备选零件)	SET SCREW "OPTION PATRS"	1
9	10004858	机针 DPX5 (14#)	NEEDLE DPX5 (19#)	2
9	10004869	机针 DPX5 (21#)	NEEDLE DPX5 (9#)	2
19	10002564	绕线器	WINDER CLAMP	1
20	10013363	绕线器夹线器	BOBBIN WINDER	1
21	10005468	面板装饰牌 自动剪线用	REFLECTOC PLATE (FOR TR. & QUICK REVERSE)	1
17	10013524	电线压板	CORD HOLDER (L)	1
18	10013524	电线压板	CORD HOLDER (L)	1

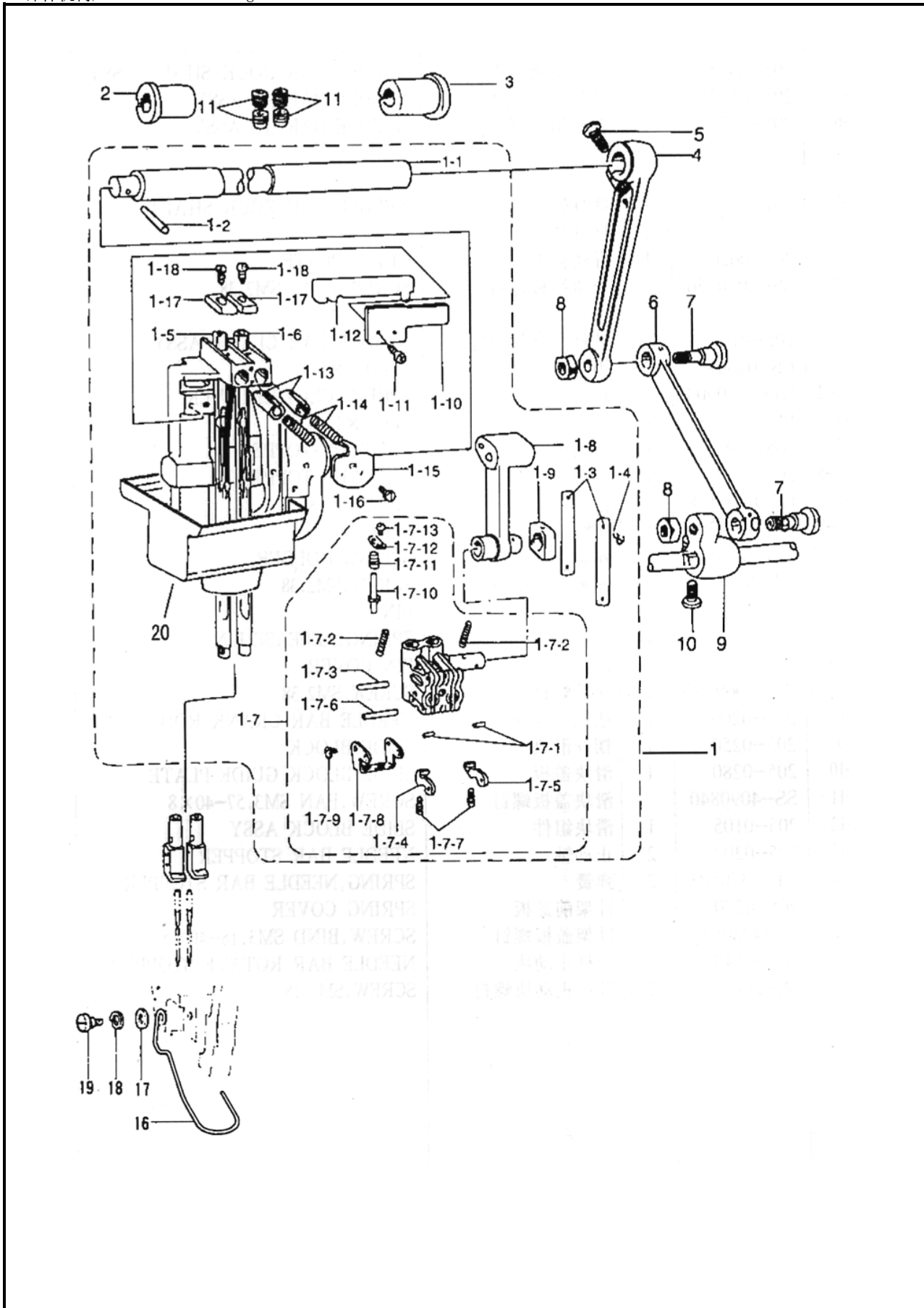
B 上轴机构/Upper shaft mechanism



## B 上轴机构/Upper shaft mechanism

序号 No.	件号 Pars No.	名称	Description	数量 Number
1	10025882	上轴前轴承 (6302ZZNR)	FRONT BEARING OF UPPER SHAFT	1
2	10013598	挑线防护罩螺钉	SCREW, PAN	2
3	10013351	上轴中轴套	UPPER SHAFT BUSHING ASSY (M)	1
4	10013469	上轴中轴套紧定螺钉	SET SCREW, SOCKET (CP)	1
5	10013457	上轴	UPPER SHAFT	1
6	10013413	针杆曲柄	THREAD TAKE-UP CRANK	1
7	10013441	针杆曲柄定位螺钉	SCREW	1
8	10013438	针杆曲柄螺钉	SET SCREW	1
9	10013305	针杆曲柄销	NEEDLE BAR CRANK	1
10	10008097	油线 (L=34)	WICK (L=34)	1
11	10013443	针杆曲柄销定位螺钉	SET SCREW,	1
12	10013405	针杆曲柄销固定螺钉	SET SCREW,	1
13	20003612	挑线防护罩	THREAD TAKE-UP CRANK	1
14	10006334	上齿形带轮组件	TIMING PULLEY (U) ASSY	1
14-1	10013466	上齿形带轮	TIMING PULLEY (U)	1
14-2	10006476	上齿形带轮挡圈 (普通用)	TIMING PULLEY RING (FOR STANDARD)	2
19	20003605	上轮 (自动剪线用)	PULLEY, ST (FORTHREAD TRIMMER)	1
19	20003663	上轮	PULLEY, TR	1
15	10013465	上齿形带轮固定螺钉	SET SCREW, SOCKET (CP)	1
16	10013467	上齿形带轮定位螺钉	SET SCREW, SOCKET (CN)	1
17	10007970	同步齿形带	TIMING BELT	1
18	10025881	轴承 (6204ZNR)	BALL BEARING, 6204ZZNR	1
19	20003605	上轮	PULLEY, ST	1
20	10013470	上轮螺钉	SET SCREW, (CP)	2
21	10006490	挑线杆	THREAD TAKE-UP, S3 TR	1
22	10013406	挑线连杆铰链轴	THREAD TAKE-UP SHAFT	1
23	10013469	挑线连杆铰链轴螺钉	SET SCREW, SOCKET (CP)	3
24	10013347	挑线杆连接柱	THREAD TAKE-UP LEVER LINK POLE	1
26	10013412	轴承衬套	BEARING BUSH	1
27	10013465	固定螺钉	POSITION SCREW	2

C 针杆机构/Needle bar rocking mechanism

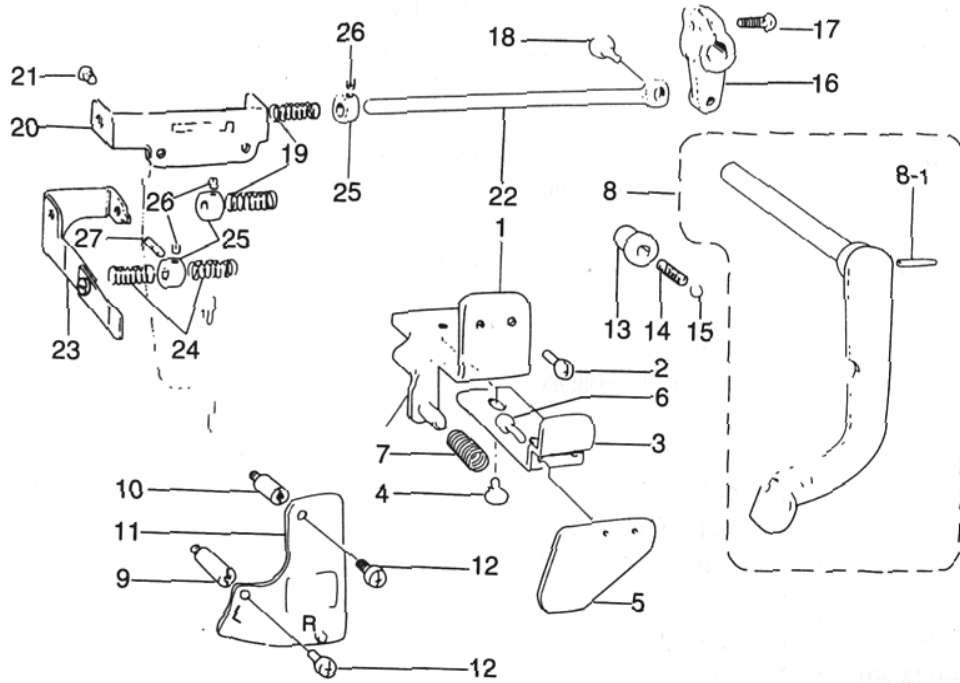




## C 针杆机构/Needle bar rocking mechanism

序号 No.	件号 Pars No.	名称	Description	数量 Number
1	10013374	针杆支架组件	NEEDLE BAR ROCK SHAFT ASSY	1
1-5	10006496	针杆组件 (左)	NEEDLE BAR (L) ASSY	1
1-6	10006492	针杆组件 (右)	NEEDLE BAR (R) ASSY	1
1-1	10013607	摆杆轴	NEEDLE BAR ROCK SHAFT	1
1-2	10002813	摆杆销	PIN, TAPER	1
1-3	10013400	导轨衬板	GUIDE PLATE	1
1-4	10006436	导轨衬板螺钉	SCREW, FLAT SM2.38	1
1-7	10013426	针杆小支架组件	NEEDLE BAR CLAMP ASSY	1
1-7-1	10013423	销	PIN, 1.5X5.8	2
1-7-2	10013429	弹簧	SPRING, CLRTCH LEVER	2
1-7-3	10013432	肖	PIN, 2X15.8	1
1-7-4	10006460	止动块 (左)	CLUTCH STOPPER (L)	1
1-7-5	10006459	止动块 (右)	CLUTCH STOPPER (R)	1
1-7-6	10013423	销	PIN, 2X17.8	1
1-7-7	10013430	弹簧	SPRING	1
1-7-8	10013428	弹簧支架	SPRING HOLDER	1
1-7-9	10013425	弹簧支架螺钉	SCREW, SM2.38	1
1-7-10	10006461	栓	PIN	2
1-7-11	10006458	弹簧	SPRING, RELEASE PIN	1
1-7-12	10006464	栓盖	PIN COVER	1
1-7-13	10006466	栓盖螺钉	SCREW, SM2.38	1
1-8	10006443	摆轴小连杆	NEEDLE BAR CRANK ROD	1
1-9	10013386	摆杆滑块	SLIDE BLOCK	1
1-10	10013343	滑块盖板	SLIDE BLOCK GUIDE PLATE	1
1-11	10013643	滑块盖板螺钉	SCREW, PAN SM3.57-40X8	2
1-12	10006463	滑块组件	SLIDE BLOCK ASSY	1
1-13	10013383	止动轴	NEEDLE BAR STOPPER	2
1-14	10013389	弹簧	SPRING, NEEDLE BAR STORRER	2
1-15	10013377	针架前盖板	SPRING COVER	1
1-16	10013382	针架盖板螺钉	SCREW, BIND SM3.18-40X5	2
1-17	10006444	针杆止动块	NEEDLE BAR ROTATE STOPPER	2
1-18	10013376	针杆止动块螺钉	SCREW, SM3.18	2
2	10013471	摆轴前轴套	NEEDLE BAR ROCK SHAFT BUSH (L)	1
3	10013495	摆轴后轴套	NEEDLE BAR ROCK SHAFT BUSH (R)	1
4	10013641	摆轴大连杆	NEEDLE BAR ROCK CONNECTING ROD	1
5	10013348	摆轴大连杆螺钉	SCREW, SM6.35	1
6	10013395	摆轴小连杆	NEEDLE BAR ROCK LINK	1
7	10013393	摆轴连杆螺钉	NEEDLE BAR ROCK LINK SHAFT	2
8	10013398	摆轴连杆螺母	NUT, SM7.94	2
9	10013401	摆轴曲柄	NEEDLE BAR CONNECTING CRANK	1
10	10013403	摆轴曲柄螺钉	SCREW, SM6.35X18	1
11	10013385	螺钉	SET SRCEW, SOCKET (CP) SM7.94	4
16	10013646	护指架	FINGER GUARD	1
17	10013639	护指架垫圈	WASHER, PLAIN5	1
18	10013645	护指架弹簧垫圈	WASHER, SPRING 2-4.37	1
19	10013648	护指架螺钉	SHOULDER SCREW, SM3.57	1
20	10013409	面部防油罩	OIL SEAL COVER	1

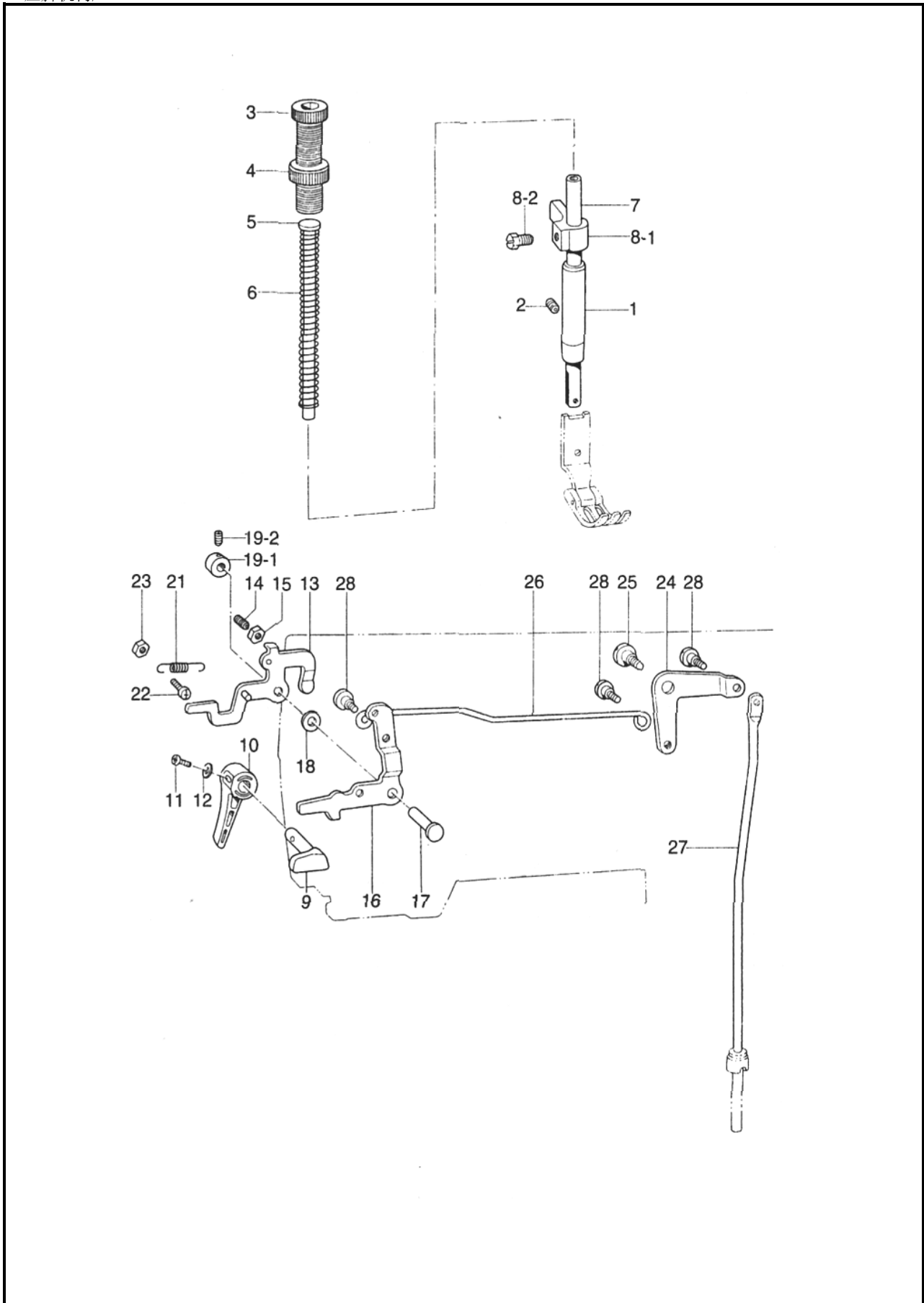
D 针杆切换操作部件/Needle bar flip-up mechanism



## D 针杆切换操作部件/Needle bar flip-up mechanism

序号 No.	件号 Pars No.	名称	Description	数量 Number
1	10013411	压板组件	INDICATION PLATE ASSY	1
2	10013655	螺钉	SCREW, PAN SM4.76-32X10	2
3	10013338	推板	PUSH LEVER	1
4	10013410	螺钉	SCREW	2
5	10013334	推板支承板	PUSH LEVER PLATE	1
6	10013598	螺钉	SCREW, PANSM3.57-40X5	2
7	10013335	弹簧	SPRING	1
8	10013337	针杆控制操作器	STOP LEVER SHAFT ASSY	1
8-1	10006428	销	PIN, SPRING 3X18	1
9	10013314	螺栓 (大)	STUD (L)	1
10	10013309	螺栓 (小)	STUD (S)	1
11	10013331	分离固定板组件	FLIP-UP HOLDER PLATE ASSY	1
12	10013655	螺钉	SCREW, PAN SM4.36-32X10	2
13	10013312	弹簧套	BALL GUDE BUSH	1
14	10013319	弹簧	SPRING	1
15	10013306	钢珠	BEARING BALL 1/4	1
16	10013332	针杆控制轴曲柄	LEVER SHAFT ARM	1
17	10013333	螺钉	SCREW PAN SM4.76-32X14	1
18	10013340	螺钉	SHOULDER SCREW, SM4.37	1
19	10013387	弹簧	SPRING	2
20	10013342	拉杆托架	SLIDE SHAFT BRACKET	1
21	10013603	分离连接组件紧固螺钉	SCREW, PAN SM4.37-40X8	2
22	10013339	拉杆	SLIDE SHAFT	1
23	10013378	滑动杆	SLIDE SHAFT SOUPPORT PLATE	1
24	10013388	弹簧	PLATE SPRING	2
25	10013375	挡圈	SET SCREW COLLAR	3
26	10013379	螺钉	SET SCREW, (FT) SM3.57	5
27	10013381	螺钉	GUIDE SCREW	1

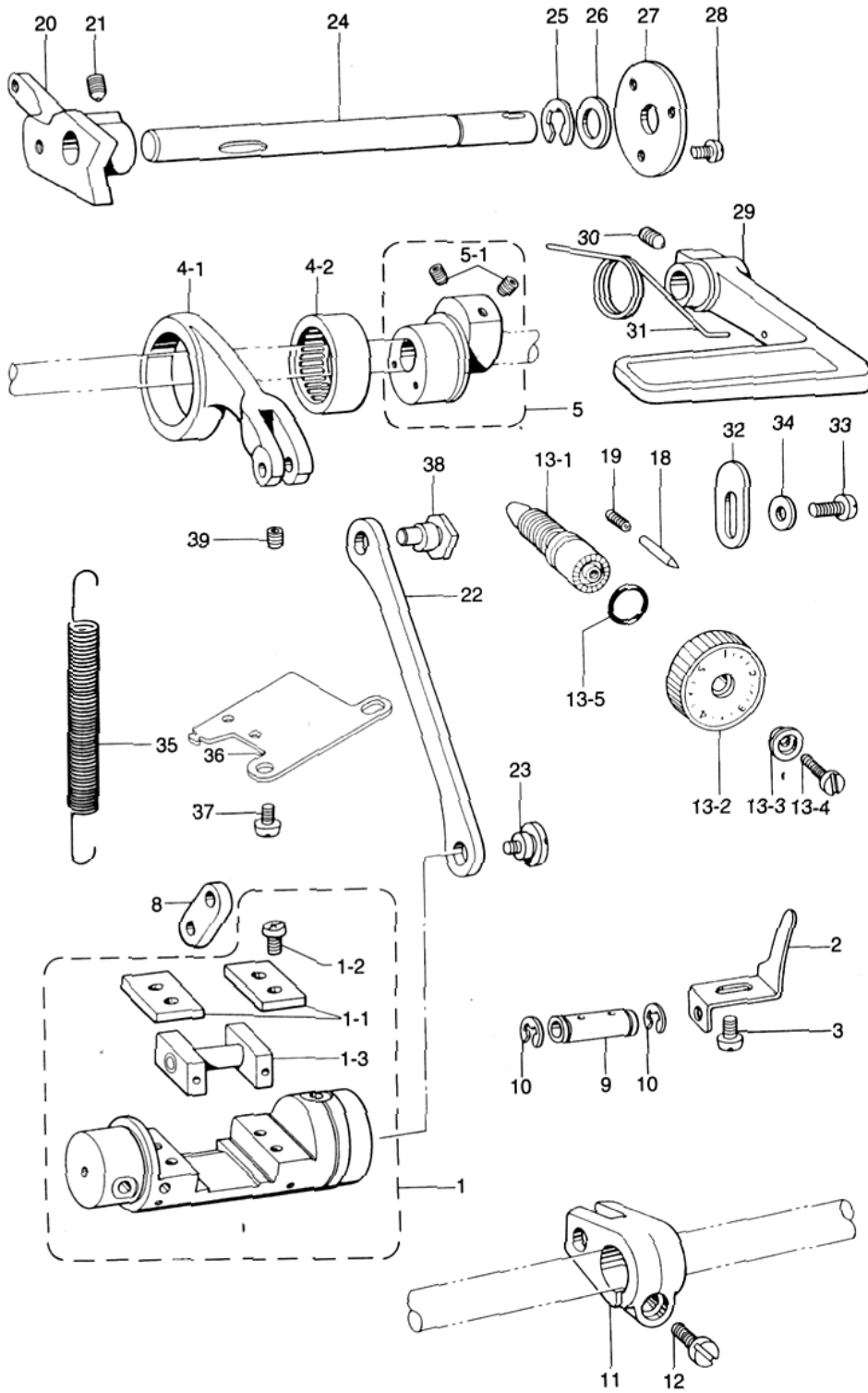
E 压脚机构/Presser foot mechanism



## E 压脚机构/Presseer foot mechanism

序号 No.	件号 Pars No.	名称	Description	数量 Number
1	10010841	压杆轴套	PRESSER BAR BUSH	1
2	10013469	压杆轴套螺钉	SET SCREW, SOCKET (CP)	1
3	10013237	调节螺钉	PRESSER ADJUST SCREW	1
4	10013240	调节螺母	PRESSER ADJUST NUT	1
5	10012155	压杆弹簧导柱	SPRING GUIDE	1
6	10013251	压杆弹簧	PRESSER SPRING	1
7	10013247	压杆	PRESSER BAR	1
8	20001253	压杆导架组件	PRES. BAR GUIDE BRACKET W/SCR	1
8-1	10013584	压杆导架	PRESSER BAR GUIDE BRACKET	1
8-2	10013591	压杆导架螺钉	BOLT	1
9	10013284	压杆提升凸轮	PRESSER BAR LIFTER STUD	1
10	10013229	压脚扳手	PRESSER BAR LIFTER	1
11	10012154	压脚扳手螺钉	SCREW, PAN	1
12	10012156	压脚扳手螺钉垫圈	WASHER	1
13	10013589	膝控前内板 〈自动剪线用〉	TENSION RELEASE PLATE ASSY 〈FORTHREAD TRIMMER〉	1
13	10013578	膝控前内板	TENSION RELEASE PLATE TR	1
14	10013223	膝控前内板调节螺钉	SET SCREW	1
15	10013246	膝控前内板调节螺母	NUT	1
16	10013587	膝控前外板 〈自动剪线用〉	PRESSER BAR LIEER LEVER 〈FORTHREAD TRIMMER〉	1
13	10013578	膝控前内板	TENSION RELEASE PLATE TR	1
16	10013587	膝控前外板	PRESSER BAR LIFER LEVER	1
17	10013245	膝控前拔销	PRESSER BAR LIFTER LEVER SHAFT	1
18	10013220	膝控内外板垫	WASHER	1
19-1	10013594	膝提前拔销紧圈	SETSCREW COLLAT	1
19-2	10013590	膝提前拔销紧固螺钉	SET SCREW, SOCKET, SOCKET	2
21	10013224	膝提前板拉簧 〈自动剪线用〉	SPRING 〈FORTHREAD TRIMMER〉	1
21	10013224	膝提前板拉簧	SPRING	2
22	10013223	膝控前板螺钉	SCREW, PAN	1
23	10013246	膝控前板螺母	NUT	1
24	10006591	膝控提升后杠杆	KNEE LIFTER LEVER	1
25	10013250	膝控提升后拉杆螺钉	SHOULDER SCREW	1
26	10013593	膝控提升后拉杆	KNEE LIFTER CONNECTING ROD	1
27	10013593	膝控提升杆	KNEE LIFTRE BAR	1
28	10013217	膝控提升杆螺钉	SHOULDER	3

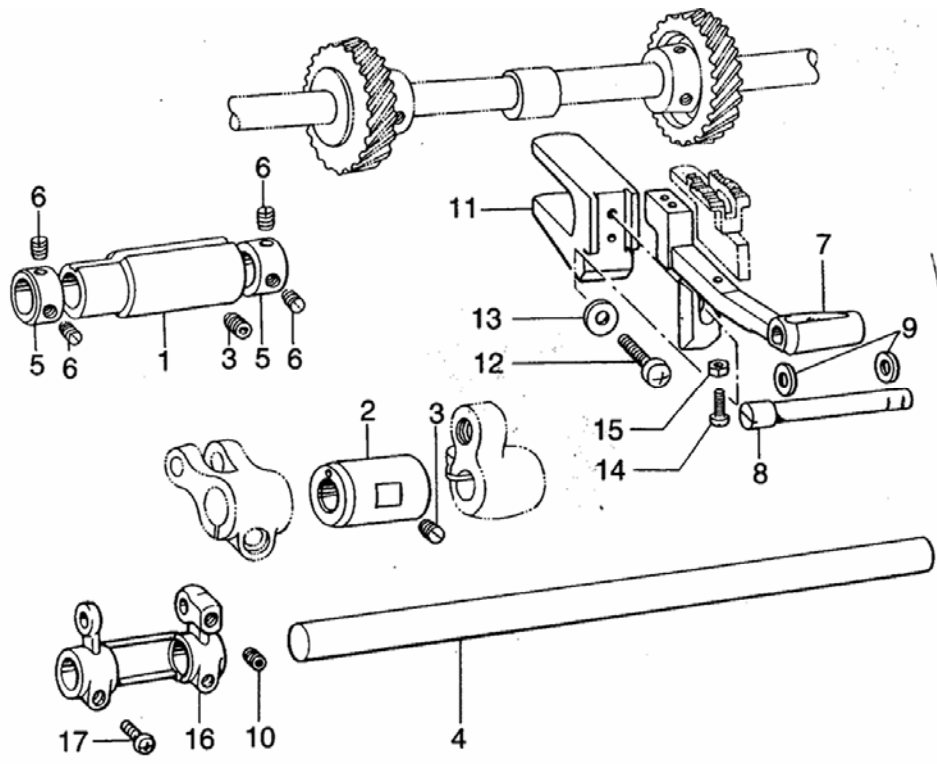
F 送料机构/Feed mechanism



## F 送料机构/Feed mechanism

序号 No.	件号 Pars No.	名称	Description	数量 Number
1	10013435	送布调整轴组件	FEED REGULATOR ASSY	1
1-1	10006583	滑块导板	SLIDE BLOCK GUIDE PLATE	2
1-2	10013647	滑块导板螺钉	SCREW, PAN	4
1-3	10006500	倒缝滑块组件	FEED REGULATOR SLIDE BLOCK A. ASSY	1
2	10013476	送布调整轴挡片	FEED REGULATOR STOPPER	1
3	10013499	送布调整轴挡片螺钉	SCREW, PAN	1
4	20001071	送布摇动连杆组件	FEED ROCK CONNECTING ROD ASSY	1
4-1	10013507	送布摇动连杆	FEED ROCK CONNECTING ROD	1
4-2	10013554	滚针轴承	NEEDLE BEARING	1
5	10013551	送布偏心轮	LEVEL ECCENTRIC WHEEL WITH SCR	1
5-1	10013465	送布偏心轮螺钉	SET SCREW, SOCKET	2
8	10013552	送布摇动臂连板	FEED ROCK ARM LINK	1
9	10013581	送布曲柄销	FEED ROCK RING, SHAFT	1
10	10013582	卡簧	RETAINING RING, E6	2
11	10013579	送布曲柄	FEED ROCK ARM	1
12	10013403	送布曲柄螺钉	SCREW	1
13	20001299	针距标盘组件	STITCH CONTROL DIAL ASSY	1
13-1	10013233	针距调节螺杆	STITCH CONTROL SCREW	1
13-2	10013367	针距标盘	STITCH CONTROL DIAL	1
13-3	10012150	针距标盘套	LENGTH CONTROL PLATE SUPPORT	1
13-4	10014409	针距标盘螺钉	SCREW	1
13-5	10012151	针距调节螺杆O型圈	O RING	1
18	10012153	止动销	POSITIONING PIN	1
19	10012152	止动销弹簧	SPRING	1
20	10013546	针距座	FEED REGULATOR	1
21	10013544	针距座定位螺钉	SET SCREW. SOCKET	1
22	10013547	针距连杆	FEED REGULATOR CONNECTING ROD	2
23	10013503	针距连杆螺钉	SHOULDER SCREW	1
25	10013248	倒缝扳手轴卡簧	RETAINING RING	1
26	10013508	倒缝扳手挡板垫圈	WASHER, PLAIN S 10	1
27	10013512	倒缝扳手轴挡板	WASHER	3
28	10013518	倒缝扳手轴挡板螺钉	SCREW PAN	1
31	10013501	倒缝扳手复位簧	SPRING	1
32	10013475	限位板	REVERSE LEVER STOPPER	1
33	10013655	限位板螺钉	SCREW PAN	1
34	10013691	限位螺钉垫圈	SCREW PLAIN	1
35	10013500	针距座弹簧	SPRING, FEED REGULATOR	1
36	10013234	弹簧吊勾	SPRING HOOK	1
37	10013499	弹簧吊勾螺钉	SCREW, PAN	2
38	10013553	送布调整偏心轴	FEED REGULATOR ECCENTRIC WHEEL SHAFT	1
39	10013538	送布调整偏心轴螺钉	SET SCREW, SOCKET	1
24	10013451	倒缝扳手轴	REVERSE STITCH LEVER SHAFT, ST	1
29	20003634	倒缝扳手	REVERSE LEVER ST.	1
30	10013544	倒缝扳手螺钉	SET SCREW, SOCKET	1

H 送料轴机构/Feed shaft mechanism

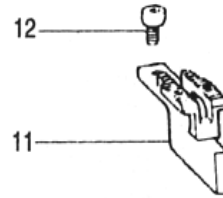
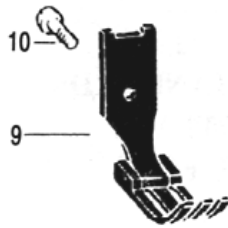
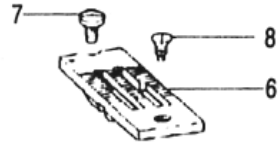
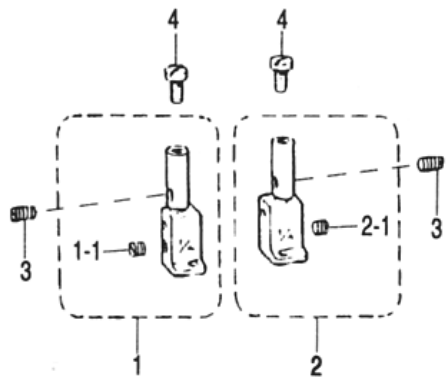




## H 送料轴机构/Feed shaft mechanism

序号 No.	件号 Pars No.	名称	Description	数量 Number
1	10013471	送料轴前轴套	FEED SHAFT BUSH (L)	1
2	10013495	送料后轴套	FEED SHAFT BUSH (R)	1
3	10013469	送料轴轴套紧固螺钉	SET SCREW , SOCKET (CP) SM6.35	2
4	10013498	送料轴	FEED ROCK SHAFT	1
5	10013517	止推环	SET SCREW COLLAR	2
6	10013441	止推环螺钉	SET SCREW, SM6.35	4
7	10013505	牙架	FEED BAR, ST	1
8	10013510	牙架销	FEED BAR SHAFT	1
9	10013514	牙架销垫圈	THRUST RING	2
10	10011314	牙架销螺钉	SET SCREW, SOCKET SM5.95	1
11	10013506	拾牙叉	FEED BAR FORK	1
12	10013513	拾牙叉固定螺钉	SCREW, PAN SM5.95-28X14	1
13	10013509	拾牙叉固定螺钉垫圈	WASHING, PLAIN S6	1
14	10013519	送料牙调整螺钉	SCREW, PAN SM3.18-40X12	1
15	10013516	送料牙调整螺母	NUT, 1 SM3.18	1
16	10013515	牙架曲柄	FEED ROCK BASE ARM	1
17	10013541	牙架曲柄螺钉 <自动剪线用>	SCREW, PAN SM4.37-40X12 <FOR THREAD TRIMMER>	2
7	10013571	牙架	FEED BAD, TR	1

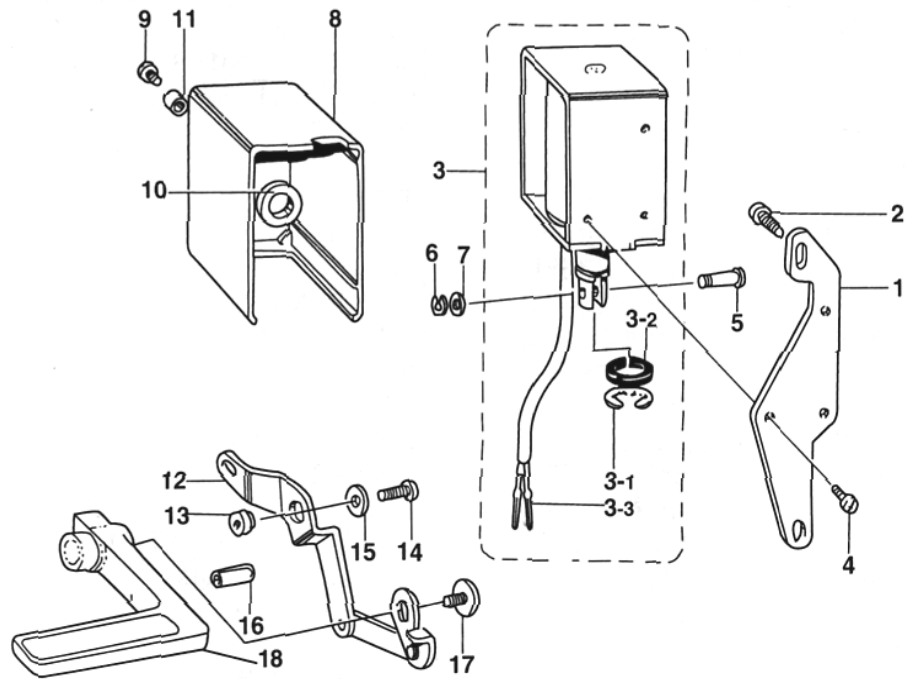
P 针组零件Gauge part



## P 针组件零件/Gauge part

序号 No.	件号 Pars No.	名称	Description	数量 Number
1		针杆接头组件 (左)	NEEDLE CLAMP (L) ASSY	1
1-1	10013427	机针紧定螺钉	SET SCREW, (CP) SM3. 18X4	1
1-2	10013424	针杆接头 (左)	NEEDLE CLAMP (L)	1
2		针杆接头组件 (右)	NEEDLE CLAMP (R) ASSY	1
2-1	10013427	机针紧定螺钉	SET SCREW, (CP) SM3. 18X4	1
2-2	10013392	针杆接头 (右)	NEEDLE CLAMP (R)	1
3	10013391	针杆接头固定螺钉	SET SCREW, SM3. 18	2
4	10013431	针杆接头调节螺钉	SET SCREW, SM3. 18	2
7	10013608	针板螺钉	SCREW, SM3. 18	1
8	10013611	针板螺钉	SCREW, FLAT SM4. 37	1
10	10013221	压脚螺钉	SCREW, SM3. 57	1
12	10013542	送料牙固定螺钉	SCREW, SM3. 18	2
		<标准件>	<FOR THREAD>	
6	10013308	针板	NEEDLE FLATE ASSY	1
9	10006609	压脚组件	PRESSER FOOT ASSY	1
11	10013540	送料牙	FEED DOG	1
		<自动剪线专用>	<FOR THREAD TRIMMER>	
6	10013529	针板组件	NEEDLE FLATE ASSY	1
9	10006599	压脚组件	PRESSER FOOT ASSY	1
11	10006600	送料牙	FEED DOG	1

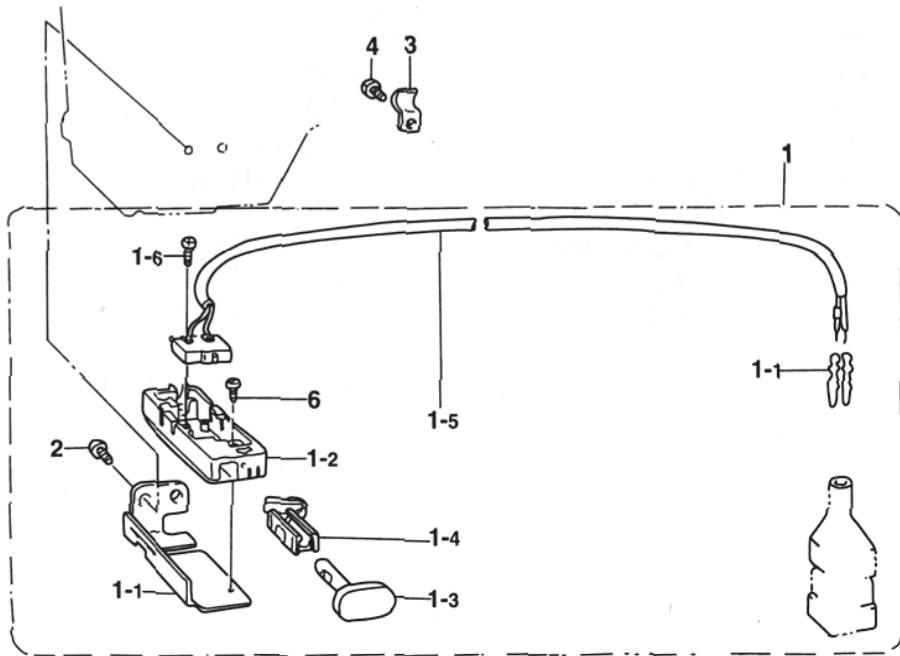
J 倒缝机构/Quick reverse mechanism



## J 倒缝机构/Quick reverse mechanism

序号 No.	件号 Pars No.	名称	Description	数量 Number
1	10006641	倒缝电磁铁安装板	REVERSE SOLENOID BRACKET	1
2	10013576	螺钉	SCREW, PAN SM6.35-28X14	2
3	10013697	倒缝电磁铁组件	QUICK REVERSE SOLENOID ASSY	1
3-1	10009669	开口挡圈	RETAINING RING, E15	1
3-2	10006663	橡胶垫圈	RUBBER STOPPER	1
3-3	10029469	接头(正级)	TERMINAL PIN (MALE)	2
4	10009456	螺钉	SCREW, PAN M5X8	3
5	10006662	销	PIN	1
6	10009669	开口挡圈	RETAINING RING, E4	1
7	10006629	垫片	WASHER, PLAIN 6.5	1
8	10006642	电磁铁罩	SOLENOID COVER	1
9	10009456	螺钉	SCREW, PAN M5X8	1
10	10006663	倒缝电磁铁橡胶垫	REVERSE SOLENOID RUBBER	1
11	10006634	套	COLLAR	1
12	10006607	倒缝摆动杆组件	REVERSE SOLENOID LEVER ASSY	1
13	10013617	电磁铁连接头	SOLENOID LEVER STUD	1
14	10013575	螺钉	SCREW, SM6.35X18	1
15	10013573	垫片	WASHER, PLAIN 6	1
16	10013621	尼龙管	NYLON TUBE	1
17	10013577	螺钉	SCREW, SM4.76	1
18	20003634	倒缝扳手	REVERSE LEVER ST	1

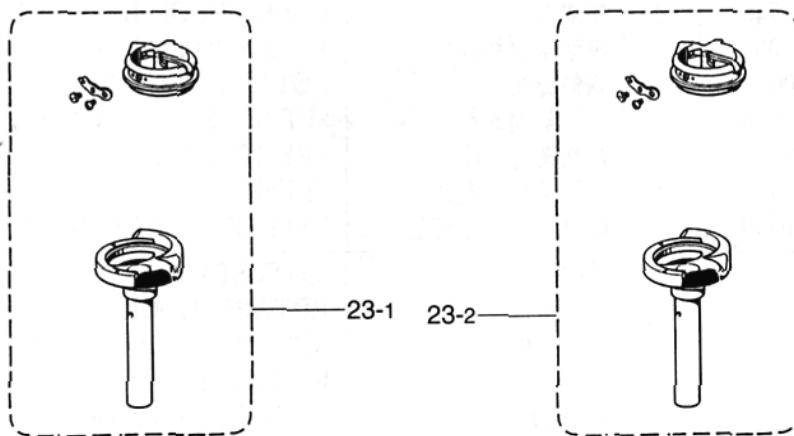
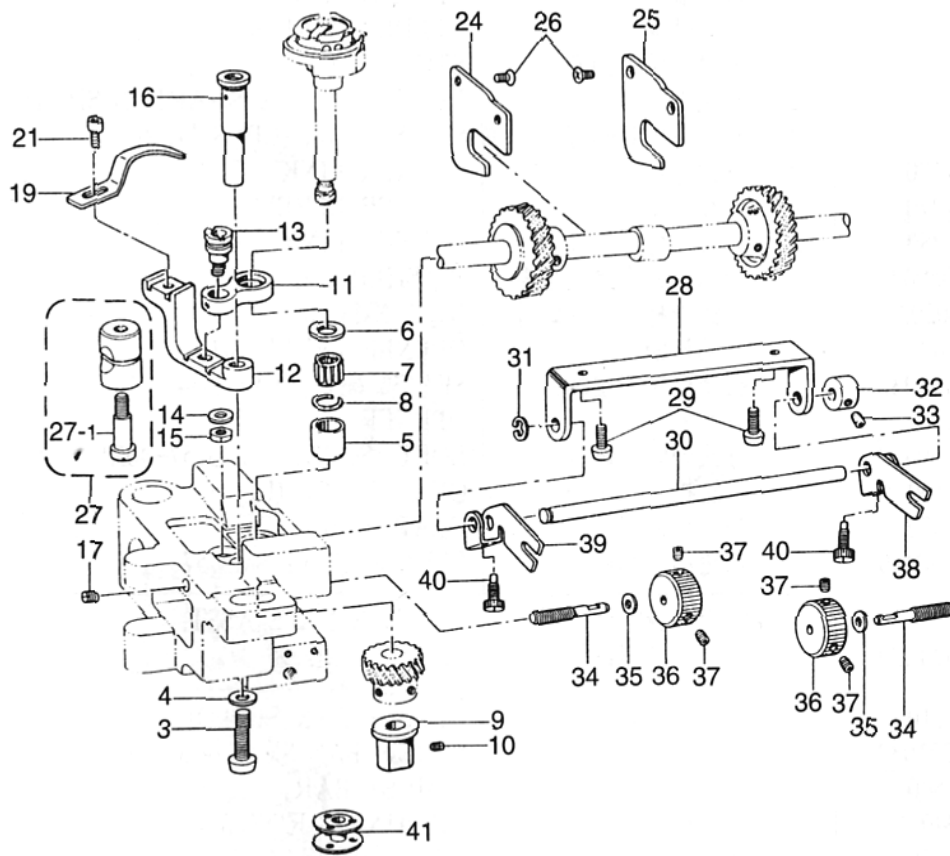
W 倒缝开关组件/Quick reverse switch mechanism



## W 倒缝开关组件/Quick reverse switch mechanism

序号 No.	件号 Pars No.	名称	Description	数量 Number
1	20000944	手触倒缝开关组件	REVERSE ACTUATOR ASSY	1
1-5	10029936	微动开关及电线组件	REVERSE SWITCH ASSY	1
1-5-1	10029469	接头（正级）	TERMINAL PIN (MALE)	1
1-1	10013699	倒缝开关座	REVERSE SWITCH BRACKET	1
1-2	10013028	倒缝开关	REVERSE SWITCH BASE	1
1-3	10013021	倒缝开关按钮	ACTUATOR	2
1-4	10014464	倒缝开关压簧	SPRING, REVERSE SWITCH	1
1-6	10003036	螺钉	SCREW, BIND M3X6	1
2	10013499	螺钉	SCREW, PAN SM4.76-32X6	2
3	10012421	电线夹	CORD HOLDER	1
4	10013598	螺钉	SCREW, PAN SM3.57-40X5	1

K 旋梭机构/Rotary mechanism

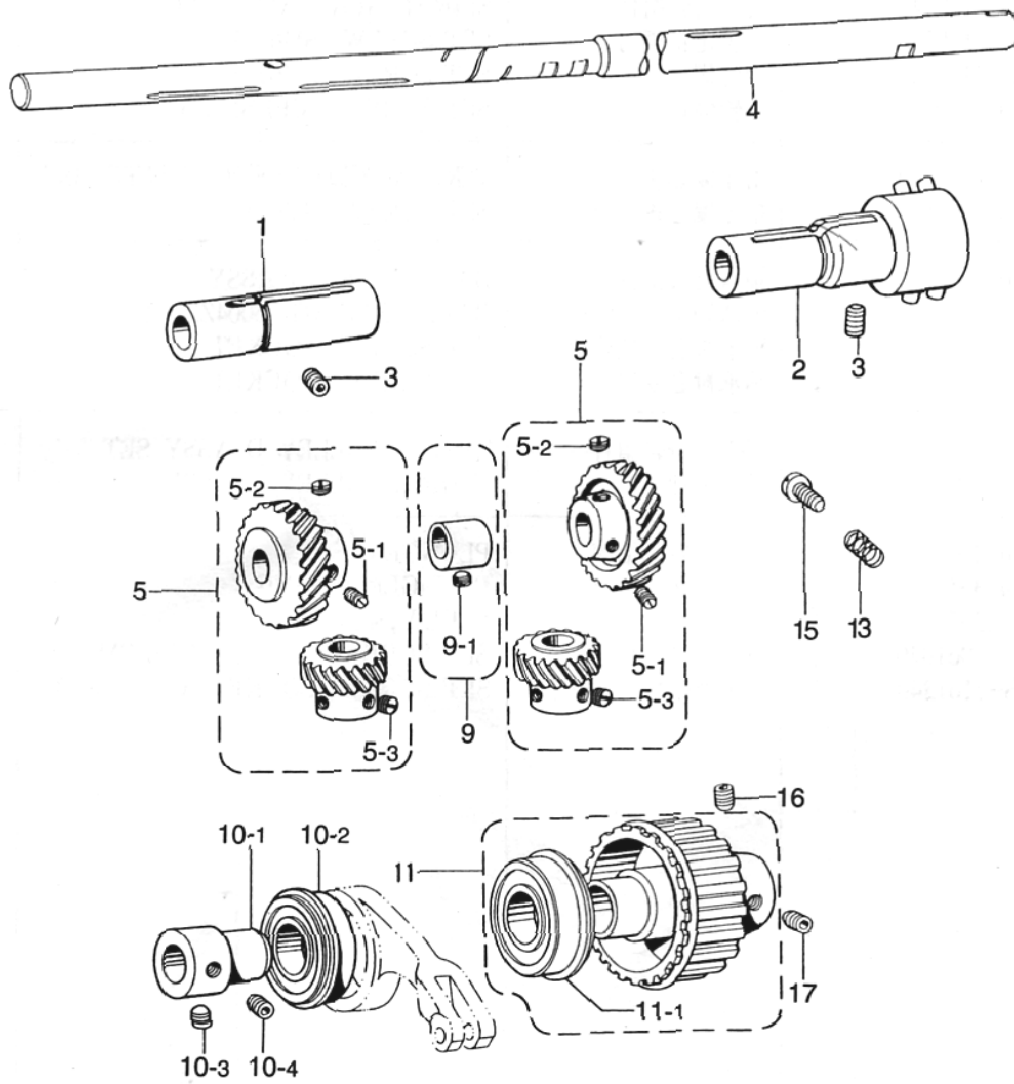




## K 旋梭机构/Rotary mechanism

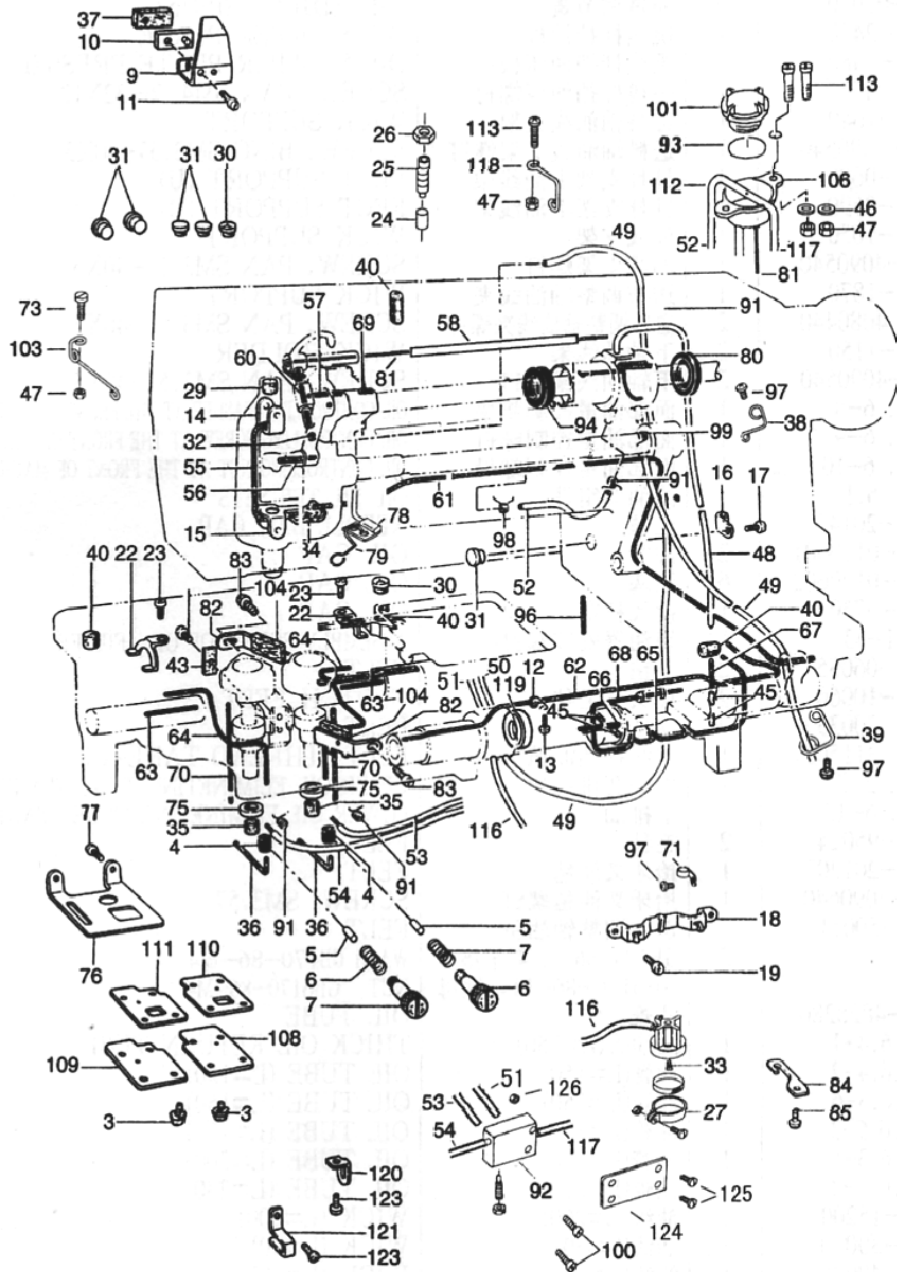
序号 No.	件号 Pars No.	名称	Description	数量 Number
3	10013676	梭架固定螺钉	SCREW, PAN	2
4	10013678	梭架固定螺钉垫圈	WASHER	2
5	10013708	梭架上轴套	ROTARY HOOK SHAFT BUSH(U)	2
6	10027572	轴承端盖	THRUST RING	2
7	10013711	滚针轴承	NEEDLE BEARING	2
8	10013713	梭轴上轴套挡圈	STOP RING	2
9	10013688	梭轴下轴套	ROTARY HOOK SHAFT BUSH(D)	2
10	10013652	梭轴下轴套螺钉	SET SCREW, (CP)	2
11	10013654	分线连杆	OPENER LINK	2
12	10013684	分线摆动连杆	OPENER LEVER	2
13	10013712	分线连杆连接轴	OPENER LINK SHAFT	2
14	10013691	分线连杆连接轴垫圈	WASHER, PLAIN	2
15	10013710	分线连杆连接轴螺母	NUT	2
16	10013686	摆动杆轴	OPENER LEVER SHAFT	2
17	10013649	摆动杆轴固定螺钉	SET SCREW, (CP)	2
19	10013651	分线勾	OPENER	2
21	10006624	分线勾固定螺钉	BOLT, SOCKER	2
24	10013650	齿轮挡片(左)	GEAR GUIDE(L)	1
25	10013717	齿轮挡片(右)	GEAR GUIDE(R)	1
26	10013601	齿轮挡片螺钉	SCREW, FLAT SM3. 57	4
27	10013720	锁紧套管组件	PINCH SLEEVE ASSY	2
27-1	10006684	锁紧套管螺钉	SCREW, SM5. 95	2
28	10013677	调整杆支架	ADJUST BAR SUPPORT	1
29	10013655	调整杆支架螺钉	SCREW, PAN SM4. 76-32X10	1
30	10013722	调整杆	ADJUST BAR	2
31	10009653	调整杆卡圈	RETAINING RING, E4	1
32	10013517	止推环	SET SCREW COLLAR	1
33	10013441	止推环螺钉	SET SCREW, SOCKET (CP) SM4. 37	1
34	10013474	梭架调整螺栓	ROTRY HOOK BASS ADJUST SCREW	2
35	10013477	梭架调整垫片	WASHER, PLAIN S 4. 37	2
36	10013473	调整旋钮	ROTARY HOOK BASE ADJUST DIAL	2
37	10013721	旋钮紧固螺钉	SET SCREW, SOCKET (CP) SM4. 37	4
38	10013496	调整钹杆(右)	PRESET LEVER (R)	1
39	10013472	调整钹杆(左)	PRESET LEVER (L)	1
40	10013502	调整钹杆固定螺钉 <标准件>	NEEDLE SET SCREW, SM3. 57 <FOR STANDARD>	2
23-1	10013749	旋梭组件	ROTARY HOOK ASSEMBLY	1
23-2	10013749	旋梭组件	ROTARY HOOK ASSEMBLY	1
41	10013653	梭芯 <自动剪线用>	BOBBIN, ST <FORTHREAD TRIMMER>	2
23-1	10013751	旋梭组件	ROTARY HOOK ASSEMBLY TR	1
23-2	10013751	旋梭组件	ROTARY HOOK ASSEMBLY TR	1

L 下轴机构/Lower shaft mechanism



## L 下轴机构/Lower shaft mechanism

序号 No.	件号 Pars No.	名称	Description	数量 Number
1	10013682	下轴前轴套	ROTARY HOOK BASE BUSH L	1
2	20001236	下轴中轴套组件	ROTARY HOOK BASE BUSH ASSY (R)	1
3	10013469	轴套螺钉	SET SCREW, SOCKET (CP) SM6.35	2
4	10013231	下轴 <自动剪线用>	LOWER SHAFT, ST <FOR THREAD TRIMMER>	1
4	10013418	下轴	LOWER SHAFT, TR	1
5	10006678	梭轴齿轮组件	SPIRAL GEAR ASSY (A)	2
6	10006679	下轴齿轮组件	SPIRAL GEAR ASSY (A)	2
5-2	10006660	齿轮定位螺钉	SET SCREW, SM6.35	2
5-1	10013685	固定螺钉	SET SCREW, SM6.35	4
5-3	10006338	齿轮螺钉	SET SCREW, (CP) SM6.35	6
9	10013212	拾牙偏心轮	VERTICAL FEED ECCENTRIC WHEEL ASSY	1
9-1	10013685	拾牙偏心轮螺钉	SET SCREW, SM6.35	1
10-1	10013715	轴承衬套组件	BALL BEARING ASSY	1
10-2	10025882	滚珠轴承6004ZZNR	BALL BEARING, 6004ZZNR	1
10-3	10013467	轴承衬套定位螺钉	SET SCREW, SOCKET (CN) SM6.35	1
10-4	10013465	轴承衬套螺钉	SET SCREW, SOCKET (CP) SM6.35	1
11	10006332	下齿形带轮组件	TIMING PULLEY D ASSY SET	1
11-1	10025881	轴承组件	TIMING PULLEY D ASSY	1
13	10012609	下轴中轴套活塞	PLUNGER	1
14	10013238	活塞弹簧	PLUNGER SPRING	1
15	10013232	活塞螺钉	SCREW, SM6.35X5	1
16	10013465	下齿形带轮螺钉	SET SCREW, SOCKET (CP) SM6.35	1
17	10013467	下齿形带轮定位螺钉	SET SCREW, SOCKET (CN) SM6.35	1



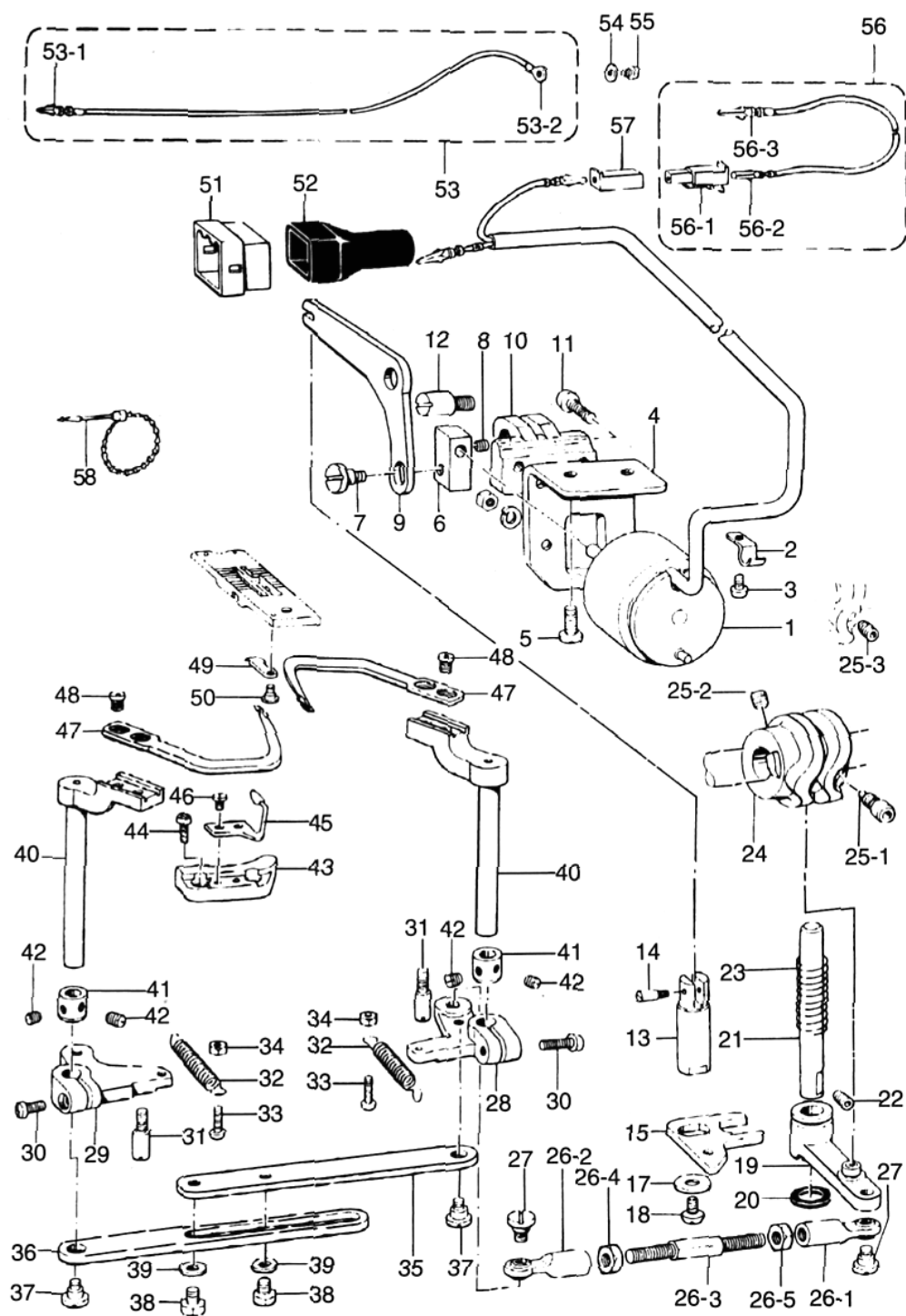
## M 润滑机构/Lubrication

序号 No.	件号 Pars No.	名称	Description	数量 Number
3	10013258	回油盒螺钉	SCREW, PAN SM3.57-40X8	8
4	10013266	油量调节套	RUBBER RING	2
5	10013261	油量调节塞	RUBBER ORESSER	2
6	10013290	油量调节螺钉	OIL ADJUST SCREW	2
7	10013252	油量调节簧	OIL ADJUST SPRING	2
9	10013489	挑线杆挡油板	OIL STOPPER PLATE	1
10	10013256	挑线杆挡油压板	OIL STOPPER PLATE PRESSER	1
11	10013655	挑线杆挡油板螺钉	SCREW, PAN SM4.76-32X12	1
12	10013497	送料轴油线支架	WICK SUPPORT	1
13	10013598	送料轴油线支架螺钉	SCREW, BIND SM3.57-40X5	1
14	10013402	针杆支架上油线夹	FELT SUPPORT (U)	1
15	10013346	针杆支架下油线夹	FELT SUPPORT (D)	1
16	10013345	油线支架	WICK SUPPORT	1
17	10013598	油线支架螺钉	SCREW, PAN SM3.57-40X5	1
18	10013580	送布调整轴油线夹	WICK SUPPORT	1
19	10013504	送布调整轴油线夹螺钉	SCREW, PAN SM3.18-40X4	2
22	10013680	下轴油线架	WICK HOLDER	2
23	10013598	下轴油线架螺钉	SCREW, PAN SM3.57-40X5	2
24	10013244	面部油量控制垫块	OIL CONTROLLING WSSHER AT THE FRONT OF MACHINE	1
25	10013273	面部油量控制螺钉	OIL CONTROLLING SCREW AT THE FRONT OF MACHINE	1
26	10013282	面部油量控制螺母	OIL CONTROLLING NUT AT THE FRONT OF MACHINE	1
27	20001065	滤油器组件	OIL EIL TER SETS	1
29		毛毡	FELT	1
30	10013583	油塞	OIL CAP	2
31	10013586	油塞	OIL CAP	6
32		挑线杆塞	OIL CAP	1
33	10009101	滤油器安装螺钉	ASSEMBLY SCREW OF OIL FILTER	1
34		毛毡	FELT	2
35	10013253	梭头下毛毡	CLUTCH FELT	2
36	10008091	油毡	FELT	2
37	10013668	挑线杆挡油毡	FELT, THREAD TAKE-UP	1
38	10013272	中轴套排油架	UPPER OIL ELIMINETING TUBE STAND	1
39	10013276	下排油管架	LOWER OIL ELIMINETING TUBE STAND	1
40	10013254	毛毡	FELT	2
43	10013539	抬牙叉油毡	FELT	1
44	10013543	抬牙叉油毡螺钉	SCREW, SM3.57	1
45	10013550	送布调整轴油毡	FELT	4
46		平垫片 GB170-86- $\phi$ 4	WASH GB170-86- $\phi$ 4	2
47		螺母 GB6170-86-M4	NUT GB6170-86-M4	2
48	10007800	油管	OIL TUBE	1
49	10007800	回油管 (L=750)	OIL TUBE (L=750)	1
50	10007800	油管 (L=150)	OIL TUBE (L=150)	1
51	10007800	油管 (L=150)	OIL TUBE (L=150)	1
52	10007800	油管 (L=130)	OIL TUBE (L=130)	1
53	10007800	油管 (L=200)	OIL TUBE (L=200)	1
54	10007800	油管 (L=230)	OIL TUBE (L=230)	1
55	10008091	油线 (L=200)	WICK (L=200)	1
56	10008091	油线 (L=30)	WICK (L=30)	1
57	10008091	油线 (L=18)	WICK (L=18)	1
58	10008091	油管 (L=230)	OIL TUBE (L=230)	1
60	10008091	油线 (L=40)	WICK (L=40)	1
61	10008091	油线 (L=440)	WICK (L=440)	1
62	10008091	油线 (L=350)	WICK (L=350)	1

## M 润滑机构/Lubrication

序号 No.	件号 Pars No.	名称	Description	数量 Number
63	10008091	油线	WICK	2
64	10008091	油线4X4 (L=250)	WICK 4X4 (L=250)	2
65	10008091	油线4X4 (L=250)	WICK 4X4 (L=250)	1
66	10008091	油线 4X4 (L=40)	WICK 4X4 (L=40)	1
67	10008091	油线 (L=35)	WICK (L=35)	1
68	10008091	油线 (L=110)	WICK (L=110)	1
69	10008091	油线 (L=34)	WICK (L=25)	1
70	10008091	油线 (L=70)	WICK (L=70)	2
71	10013272	油管固定架	OIL TUBE STAND	2
73	10010595	螺钉	SCREW	1
75	10013259	梭头下端毛毡架	SPACER	2
76	10013566	防尘盖	DUST PROTECTOR	1
77	10013598	防尘盖螺钉	SCREW, PAN SM3.57-40X5	2
78	10013274	回油毛毡	OIL RETURN FELT BLOCK	1
79	10013281	回油毛毡固定架	FIXING STAND OF OIL RETURN FELT	1
80	10013448	中轴套后油封	OIL SEAL	1
81	10008091	油线 (L=480)	WICK (L=480)	1
82	10013683	下轴齿轮毛毡架	FELT PRESSER	2
83	10013598	下轴齿轮毡架螺钉	SCREW, PAN SM3.57-40X5	2
84	10013289	油管勾板	TUBE SUPPRT BRACKET	1
85	10013269	油管勾板螺钉	SCREW, PAN SM3.57-40X6	1
91	10013449	弹簧油管夹头	TUBE CLIP	7
92	20001068	油量调节器组件	OIL SUPPLYING ADJUSTER SETS	1
93	10008939	密封圈	SEAL	1
94	10013447	中轴套前油封	OIL SEAL	1
96	10008091	油线 (L=35)	WICK (L=35)	1
97		螺钉	SCREW	4
98	10013449	弹簧油管夹头	TUBE CLIP	3
99	10013449	弹簧油管夹头	TUBE CLIP	1
100	10010595	调节器安装螺钉	SCREW OF OIL SUPPLYING ADJUSTER	1
101	10008938	油窗	OIL SIGHT WINDOW	1
103	10013271	挑线杆油线架	OILTHREAD STAND OF LEVER	1
104	10013693	下轴齿轮毛毡	FELT	2
106	20001064	喷油槽组件	OIL SPRAY TUBE	1
108	10013255	右梭架底衬垫	OIL SEAL R, SUB-TANK	1
109	10013263	左梭架底衬垫	OIL SEAL L, SUB-TANK	1
110	10013291	右梭架底盖板衬垫	SUB-TANK COVER R	1
111	10013257	左梭架底盖板衬垫	SUB-TANK COVER L	1
112	20001086	喷油管组件	OIL SPRAY TUBE	1
113	10009037	螺钉	SCREW	3
116	10007800	滤油器输油管 (L=150)	OIL TUBE (L=150)	1
117	10007800	油泵输油管 (L=460)	OIL TUBE (L=460)	1
118	10007800	喷油管供油管架	OIL THREAD STAND	1
119	10013716	下轴中套油封	OIL SEAT, PLUNGER PUMP	1
120	10013265	油管过线板	TUBE SUPPRT BRACKET L	1
121	10013262	油管压线板	OIL TUBE SUPPORT	1
122	10013264	回油盒螺钉垫圈	WASHER	8
123	10013499	油管压板螺钉 (自动剪线用)	SCREW, PAN SM4.76-32X6 (FORTHREAD TRIMMER)	2
117	10007800	油管 (L=530)	OIL TUBE (L=530)	1
124	10013420	安装板	PLATE	1
125	10013223	安装板螺钉	SCREW	2
126	10013246	螺母	NUT GB6170-86-M4	2

Q 自动剪线机构/Thread trimmer mechanism



## Q 自动剪线机构/Thread trimmer mechanism

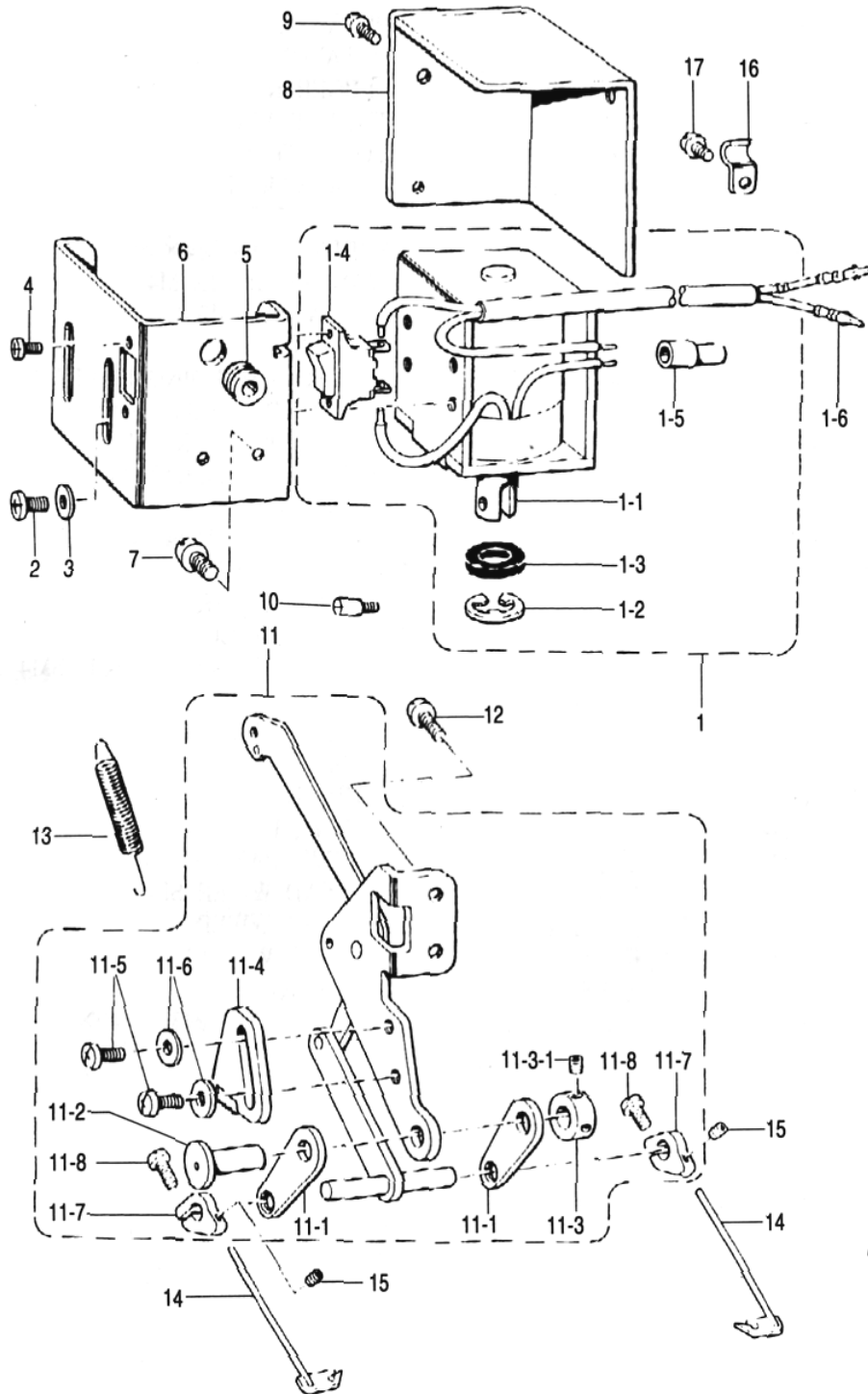
序号 No.	件号 Pars No.	名称	Description	数量 Number
1	10013729	剪线电磁铁	THREAD TRIMMER SOLENOID	1
2	10012421	电线夹	CORD HOLDER	1
3	10013598	螺钉	SCREW, PAN SM3.57-40X5	1
4	10013674	剪线电磁铁座	THREAD TRI. SOL. BRACKET	1
5	10013590	螺钉	SCREW, SM 6.35	2
6	10013669	剪线电磁铁连接块	THREAD TRIMMING SOLENOID JOINT	1
7	10013658	紧定螺钉	SHOULDER SCREW, SM4.37	1
8	10013590	固定螺钉	SET SCREW, SOCKET (CP) SM 4.37	1
9	10013673	剪线电磁铁拉杆	THREAD TRIMMING SOLENOID LEVER	1
10	10013705	剪线电磁铁拉杆座	THR. TRIM. SOL. LEVER BRACKET	1
11	10013675	螺钉	SCREW, PAN SM4.76-32X10	1
12	10013670	剪线电磁铁螺栓	THREAD TRIM. SOL. LEVER STUD	2
13	10013661	剪线驱动杆	THREAD TRIMMING DRIVING ROD	1
14	10006670	销钉	PLUNGER PIN	1
15	10006651	剪线驱动杆座	THR. TRIM. DRIVING ROD PLATE	1
17	10013626	垫圈	WASHER	1
18	10006674	螺钉	SCREW, PAN SM4.76-32X10	1
19	10006655	剪线凸轮滚柱架	KNIFE MAIN LEVER SHAFT	1
20	10013573	胶垫	RUBBER	1
21	10006664	剪刀主轴	KNIFE MAIN LEVER SHAFT	1
22	10013260	螺钉	SET SCREW, SOCKET (CP) SM 6.35	1
23	10013623	压簧	SPRING, COMPRESSION	1
24	10009408	剪线凸轮	THREAD TRIMMING CAM	1
25-1	10012162	螺钉	SET SCREW, SOCKET SM 6.35	1
25-2	10009410	螺钉	SET SCREW, SOCKET (CP) SM 6.35	1
26	10013672	剪线驱动拉杆组件	LENG.ADJ.CONNECTING ROD ASSY	1
26-1	10006646	圆头连接组件(右)	ROUND JOINT (R) ASSY	1
26-2	10006650	圆头连接组件(左)	ROUND JOINT (L) ASSY	1
26-3	10006653	螺纹连杆	LENGTH ADJUST CONNECTING ROD	1
26-4	10006672	螺母	NUT, SM5.95	1
26-5	10006654	螺母	NUT, SM5.95	1
27	10013619	紧定螺钉	SHOULDER SCREW	2
28	10013656	剪线拉杆(右)	THREAD TRIMMING LEVER (R)	1
29	10013624	剪线拉杆(左)	THREAD TRIMMING LEVER (L)	1
30	10013541	螺钉	SCREW, PAN SM4.37-40X12	2
31	10013258	螺钉	STOPPER SCREW, SM4.76	2
32	10013622	拉簧	SPRING, EXTENSION	2
33	10013223	螺钉	SCREW, PAN SM4.3.57-40X14	2
34	10013246	螺母	NUT, 1 SM5.95	2
35	10006687	剪线连杆(右)	THR. TRIM. CONNECTING ROD (R)	1
36	10006652	剪线连杆(左)	THR. TRIM. CONNECTING ROD (L)	1
37	10013658	螺钉	SHOULDER SCREW, SM4.37	2
38	10006685	螺栓	BOLT, SM4.76X7	2
39	10006649	垫圈	WASHER, PLAIN M4.76	2



## Q 自动剪线机构/Thread trimmer mechanism

序号 No.	件号 Pars No.	名称	Description	数量 Number
40	10013700	剪线刀座	MOVEBLE KNIFE LEVER	2
41	10013662	止动挡圈	SET SCREW COLLAR	2
42	10013657	止动挡圈螺钉	SET SCREW, SM6.35	4
43	10013660	动刀护板座	MOVABLE KNIFE BRACKET	2
44	10013258	动刀护板座螺钉	SCREW, PAN SM3.57-40X8	4
45	10013659	动刀护板	SPRING, PLATE	2
46	10013625	动刀护板螺钉	SCREW, SM3.18	4
47	10013704	动刀	MOVABLE KNIFE	2
48	10013698	动刀紧固螺钉	SCREW, SM4.37	4
49	10013528	定刀	FIXED KNIFE	2
50	10013523	定刀紧定螺钉	SHOULDER SCREW, SM2.38	2
		<备用零件>	< OPTION PARTS >	
47	10013704	动刀	MOVABLE KNIFE, HARD MATERIAL	2
49	10013528	定刀	FIXED KNIFE, HARD MATERIAL	2

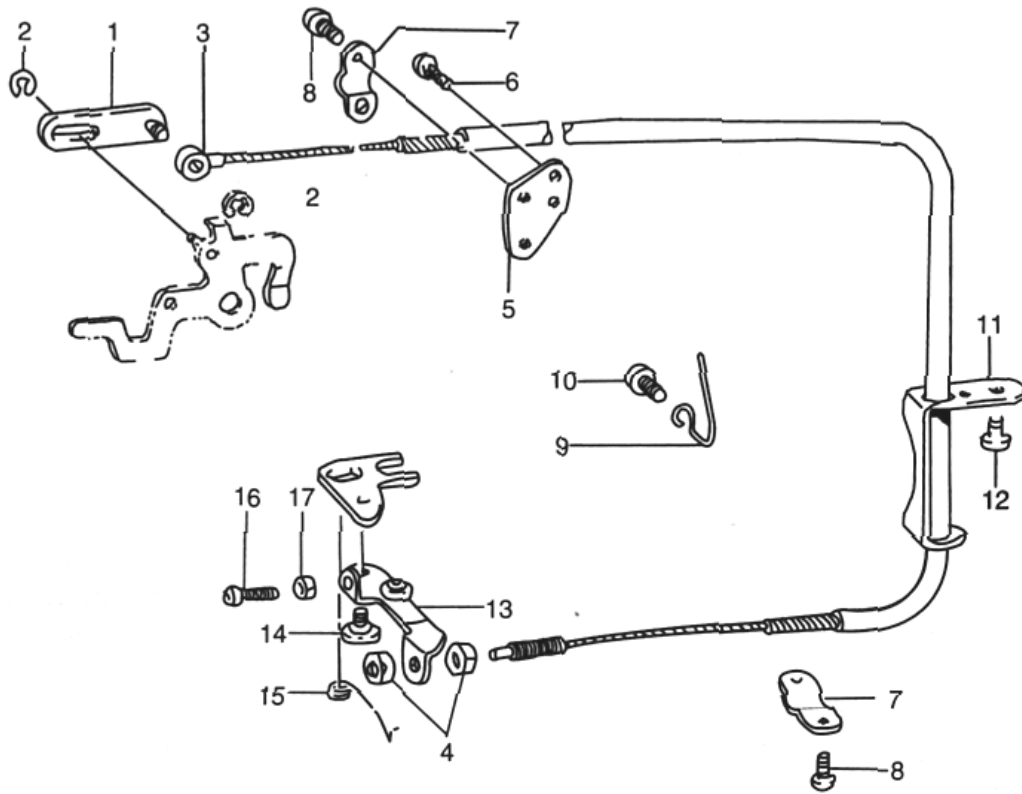
R 拔线机构 (自动剪线) / Thread wipe mechanism (thread trimmer)



## R 拔线机构(自动剪线)/Thread wipe mechanism(thread trimmer)

序号 No.	件号 Pars No.	名称	Description	数量 Number
1	10013664	拔线电磁铁组件	THREAD WIPER SOLENOID ASSY	1
1-1	10003491	铁芯杆	PLUNGER	1
1-2	10009669	开口挡圈	RETAINING RING, E9	1
1-3	10006629	橡胶垫圈	PLUGER RUBBER	1
1-4		拔线开关	THREAD WIPER SWITCH	1
1-5		连接器	CONNECTOR	1
1-6	10029469	接头(正级)	TERMINALPIN (MALE)	2
2	10003307	螺钉	SCREW, PAN M4X10	4
3	10006661	垫圈	WASHER, PLAIN M 4	4
4	10003036	螺钉	SCREW, PAN M3X6	2
5		过线套	CORD BUSH	1
6	10006635	电磁铁座	SOLENOID HOLDING PLATE	1
7	10013603	螺钉	SCREW, PAN SM4. 37-40X8	2
8	10006632	电磁铁面罩	SOLENOID COVER	1
9	10003307	螺钉	SCREW, PAN SM3. 57-40X5	3
10	10006670	销钉	PLUNGER PIN	1
11	10013695	拔线机构组件	THREAD WIPER SOLENOID ASSY	1
11-1	10006630	线勾摆动板	THREAD WIPER LINK (C)	2
11-2	10006638	线勾摆动板销	THREAD WIPER LINK STUD	1
11-3	10013696	挡圈	SET SCREW COLLAR	1
11-3-1	10013590	螺钉	SET SCREW, SOCKET (CP) SM4. 37	2
11-4	10006636	挡板	STOPPER	1
11-5	10013665	螺钉	SCREW, PAN SM4. 76-32X8	2
11-6	10006637	垫圈	WASHER, PLAIN M 4. 76	2
11-7	10013667	拔线支架	THREAD WIPER SUPPORT	2
11-8	10013666	螺钉	SCREW, PAN SM3. 18-40X12	2
12	10013260	螺钉	SCREW, PAN SM4. 76-32X10	2
13	10006667	拔线簧	THREAD WIPER SPRING	1
14	10013703	拔线杆	THREAD WIPER (L)	2
15	10013694	螺钉	SET SCREW, SM3. 18	2
16	10012421	电线夹	CORD HOLDER	1
17	10013598	螺钉	SCREW, PAN SM3. 57-40X5	1

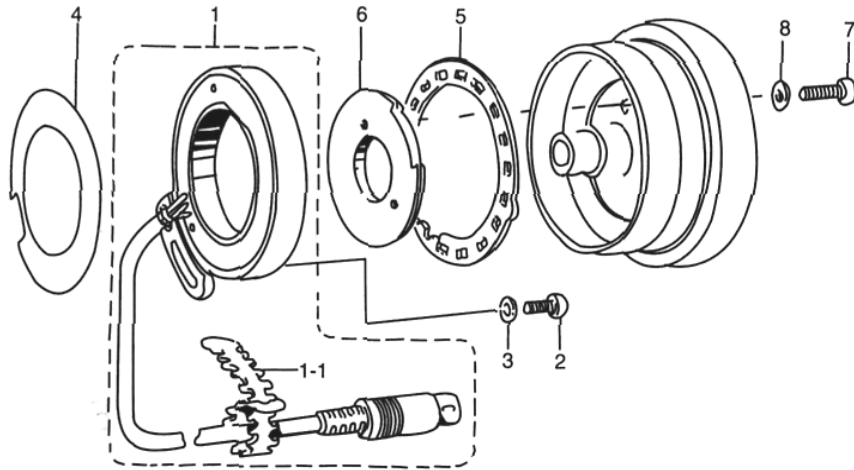
S 松线部件/Tension release mechanism



## S 松线部件/Tension release mechanism

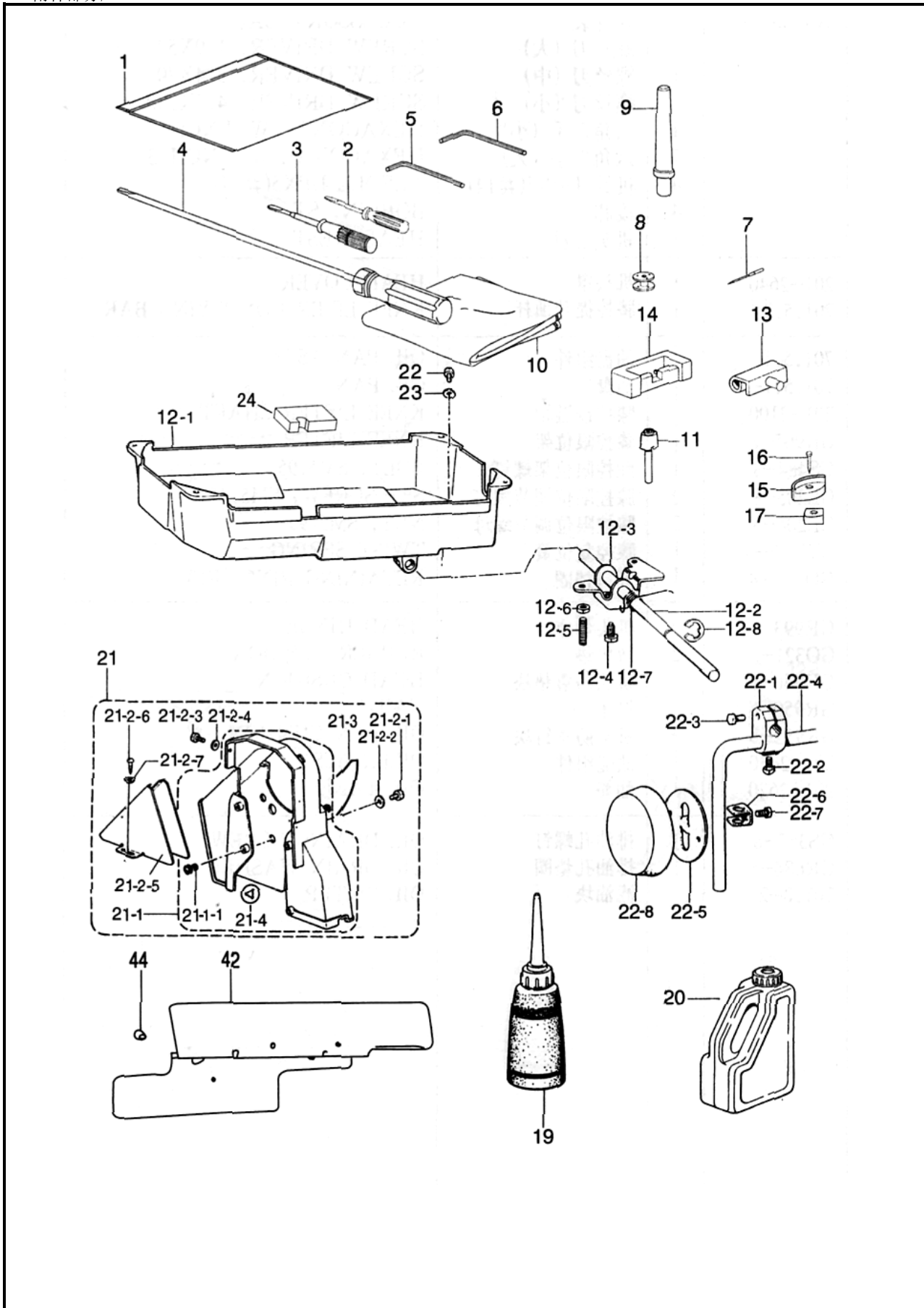
序号 No.	件号 Pars No.	名称	Description	数量 Number
1	10006602	松线钢丝部件	TENSION RELEASE CONNECTING ROD ASSY	1
2	10009669	开口挡圈	RETAINING RING, E3	2
3	10006579	松线钢丝接头	TENSION RELEASE WIRE	1
4	10005697	松线钢丝调节螺母	NUT, SM4.76	2
5	10013614	四眼板	WIRE HOLDER BASE	1
6	10006624	四眼板固定螺钉	SCREW, PAN SM3.57-40X8	2
7	10013615	挡线板	TENSION RELEASE WIRE HOLDER (D)	2
8	10013598	挡线板固定螺钉	SCREW, PAN SM3.57-40X5	4
9	10013572	定位钩	WIRE HOLDER	1
10	10013603	定位钩螺钉	SCREW, PAN SM4.37-40X8	1
11	10013620	松线钢丝导向板	WIRE GUIDE	1
12	10013469	松线钢丝导向板螺钉	SCREW, PAN SM4.76-32X6	2
13	10013416	松线驱动装置	TENSION RELEASE LEVER ASSY	1
14	10006674	松线拔叉螺钉	SHOULDER SCREW, SM6.35	1
15	10013627	剪线驱动座复位簧	SPRING, TENSION RELEASE LEVER	1
16	10013450	松线拔叉定位螺钉	SCREW, PAN SM3.18-40X12	1
17	10013516	松线拔叉定位螺母	NUT, 1 SM3.18	1

S 松线部件/Tension release mechanism



## S 松线部件/Tension release mechanism

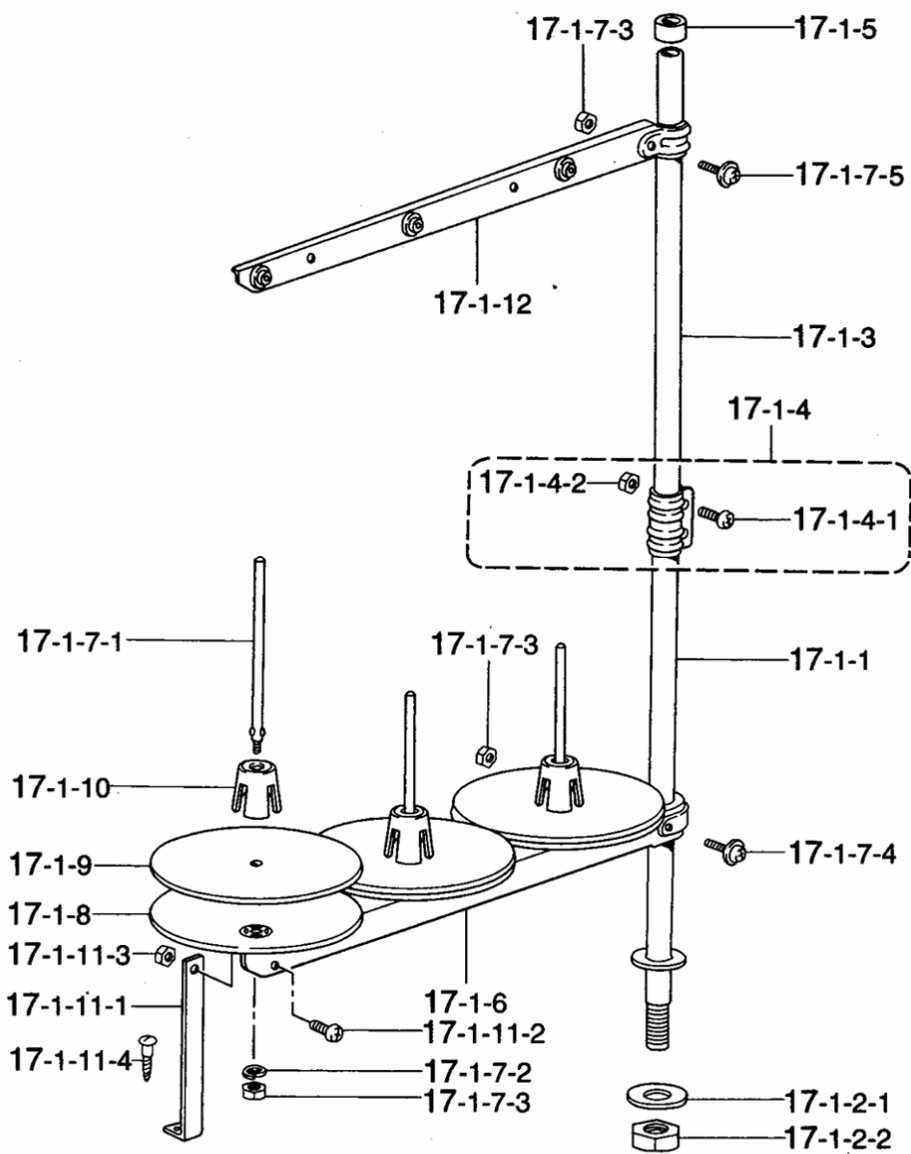
序号 No.	件号 Pars No.	名称	Description	数量 Number
1	10013570	传感器组件	SYNCHRONIZER ASSY, #14G2	1
1-1		扣紧带	FASTENING BAND, 1.9X80	1
2	10013260	螺钉	SCREW, PAN SM4.76-32X10	1
3	10013569	垫片	WASHER	1
4		绝缘片	INSULATION SHEET	1
5	10003464	编码器	SPEED COMMAND PLATE	1
6	10003465	针杆上位置检测板	NEEDLE UPPER PLATE	1
7	10013567	螺钉	SCREW, PAN SM4.37-40X16	2
8	10013569	垫片	WASHER	2





## Z1 附件部分/Accessories

序号 No.	件号 Pars No.	名称	Description	数量 Number
1		附件袋	ACCESSORY BAG	1
2	10010994	螺丝刀 (大)	SCREW DRIVER, 1.9X52	1
3	10010995	螺丝刀 (中)	SCREW DRIVER, 3.4X70	1
4	10013185	螺丝刀 (小)	SCREW DRIVER, 4.7X250	1
5	10009683	六角扳手 (小)	HEXAGONAL WRENCH 2	1
6	10009685	六角扳手 (大)	HEXAGONAL WRENCH 3	1
7	10004858	机针 DPX5 (#14)	NEEDLE DPX5 (#14)	4
8	10013653	梭芯	BOBBIN, ST	4
9	10013295	机头支柱	HEAD REST	1
10	10008197	木制螺钉	WOOD SCREW, ROUND M5.5X20	1
11	10004399	机头罩	HEAD COVER	1
12	20001049	油盘组件	OIL PAN ASSY	1
12-1	10013241	油盘	OIL PAN	1
12-2	10013592	膝控铰链轴	KNEE LIFTER SHAFT	1
12-3	10006340	膝控限位架	KNEE LIFTER	1
12-4	10004962	膝控限位架螺钉	BOLT, SM5.95	1
12-5	10004962	膝控限位调节螺钉	SET SCREW, SM5.95	2
12-6	10004960	膝控限位调节螺母	NUT, SM5.95	2
12-7	10004963	膝控复位簧	TWIST SPRING	1
12-8	10002559	开口挡圈	RETAINING RING, E10	1
13	10004466	机头勾座	HEAD HINGE	2
14	10011041	橡皮垫	RUBBER CUSHION	2
15	10012159	机头座垫	HEAD CUSHION	4
16	10003889	钉子	NAIL	8
17	10012158	油盘底座	OIL PAN CUSHION	4
19	10004455	油壶组件	OILER ASSY	1
20	20001784	小油壶	OILER	1
22	10009991	排油孔螺钉	OIL DRAINING SCREW	1
23	10009988	排油孔垫圈	OIL DRAIN WASHER	1
24	10013300	滤油块	OIL FILTER	1
21	10021674	上皮带护罩组件	BELT COVER ASSY	1
21-1	10006362	上皮带防护罩	BELT COVER COLLAR ASSY	1
21-1-1	10013316	上皮带防护罩橡胶圈	RUBBER COLLAR	4
21-2-1	10013296	上皮带防护罩固定螺钉	SCREW, PAN SM4.76-32X20	4
21-2-2	10013293	螺钉垫圈	WASHER, PLAIN L5	4
21-2-3	10013603	上皮带防护罩固定螺钉	SCREW, PAN SM4.37-40X8	1
21-2-4	10013297	螺钉垫圈	WASHER, PLAIN M 4.37	1
21-2-5	20003612	下皮带防护罩	LOWER-BELT SHIELD	1
21-2-6	10004309	下皮带防护罩木螺钉	WOOD SCREW, ROUND M5.5X20	1
21-2-7	10012318	木螺钉垫圈	WASHER, PLAIN S 5.56	2
21-3	10006361	防护罩盖板	BELT COVER COLLAR	2
21-4	10013302	防护罩垫片	WASHER	1
22	10005710	膝控碰块配件	KNEE LIFTER ASSY	1
22-1	10002562	碰块弯杆接头	KNEE LIFTER JOINT	1
22-2	10003894	弯杆接头支头螺钉	BOLT, SM7.94	1
22-3	10003894	弯杆接头锁紧螺钉	BOLT, SM5.95X20	1
22-4	10005640	膝控碰块弯杆	KNEE LIFTER BAR	1
22-5	10003900	膝控碰块	KNEE LIFTER PLATE	1
22-6	10003897	碰块架	KNEE LIFTER PLATE STOPPER	1
22-7	10003894	碰块垫螺栓	BOLT, SM5.95	1
22-8	10004223	碰块垫	KNEE LIFTER PLATE COVER	1
42	10006516	支承板	HB SETTING PLATE #3	1
44	10013598	螺钉	SCREW, PAN SM4.37-40X12	3



## Z2 附件部分/Accessories

序号 No.	件号 Pars No.	名称	Description	数量 Number
17-1	10006352	线架组件	COTTON STAND ASSY (3D)	1
17-1-1	10004291	线架下撑管焊接件	COLUMN PIPE (D)	1
17-1-2-1	10004290	线架下撑管垫圈	WASHER, PLAIN 16	1
17-1-2-2	10002985	线架下撑管螺母	NUT, 5/8	1
17-1-3	10004293	线架上撑管	COLUMN PIPE	1
17-1-4	10004296	撑管夹组件	COLUMN JOINT ASSY	2
17-1-4-1	10003301	撑管夹螺钉	SCREW, PAN M5X14	2
17-1-4-2	10002953	撑管夹螺母	NUT, 1M5	1
17-1-5	10004282	线架上撑管套	COLUMN CAP	1
17-1-6	10006351	下过线架	SPOOL HOLDER 3	1
17-1-7-1	10004288	线盘钉	SPOOL SHAFT (B)	3
17-1-7-2	10003022	线盘弹簧垫圈	WASHER, SPRING 2-5	5
17-1-7-3	10002953	撑管夹螺母	NUT, 1 M5	1
17-1-7-4	10003312	撑管夹下螺钉	SCREW, PAN (P WASHER ) M5X32	1
17-1-7-5	10003312	撑管夹上螺钉	SCREW, PAN (P WASHER ) M5X14	3
17-1-8	10004299	线盘	SPOOL STAND BASE	3
17-1-9	10004281	线盘软垫	SPOOL MAT	3
17-1-10	10004287	线塑撑架	SPOOL CUSHION	1
17-1-12	10006345	上过线架	THREAD HANGER ASSY 3	1