

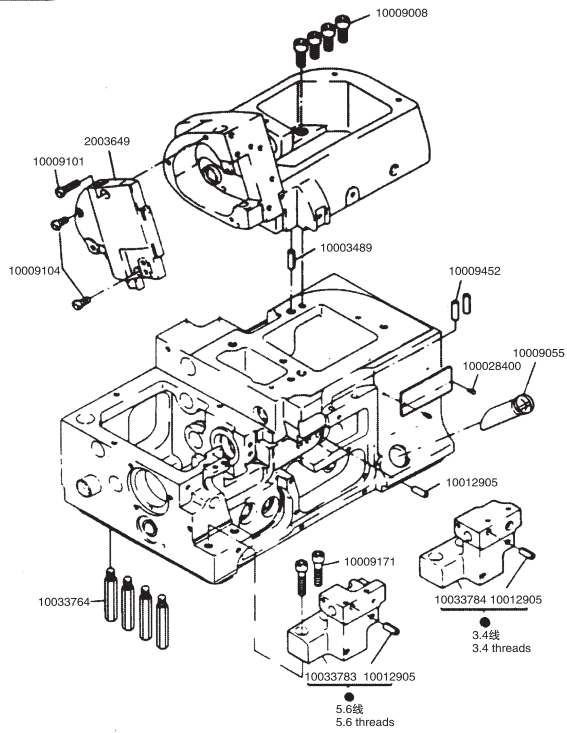
高速包缝机

HIGH-SPEED OVERLOCK SEWING MACHINE

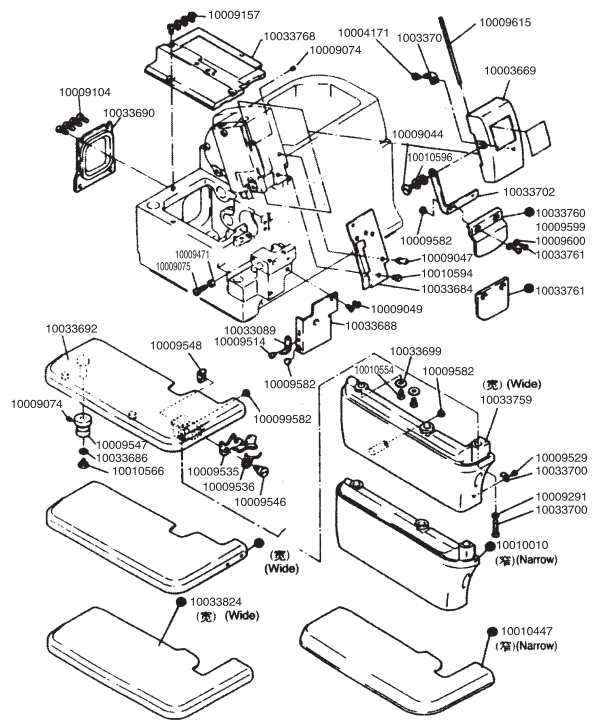
零件手册

PARTS BOOK

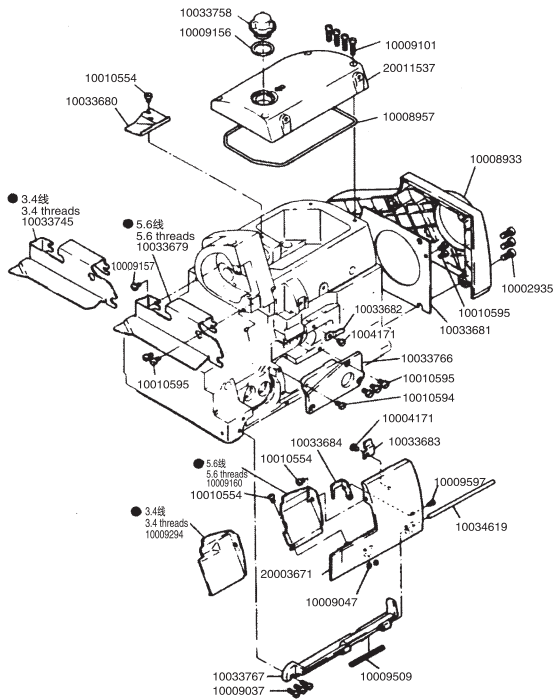
1



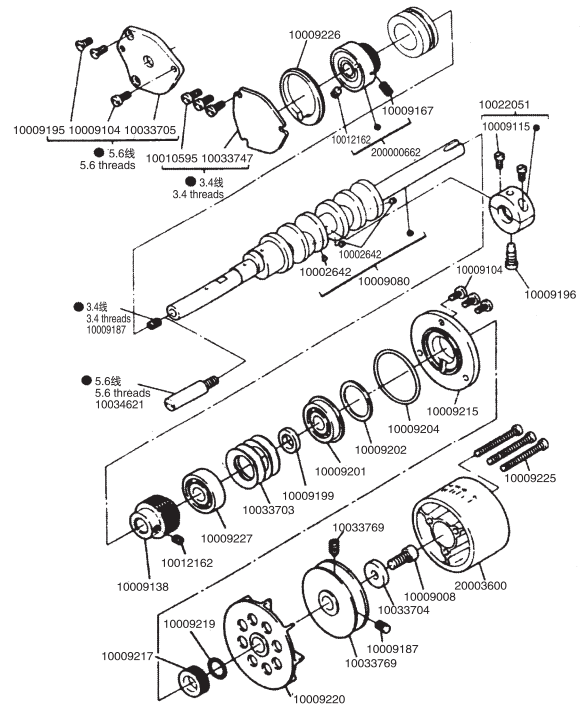
2



3

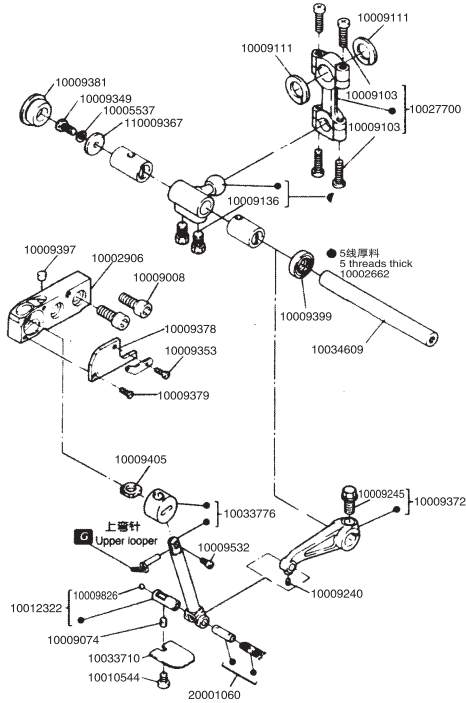


4



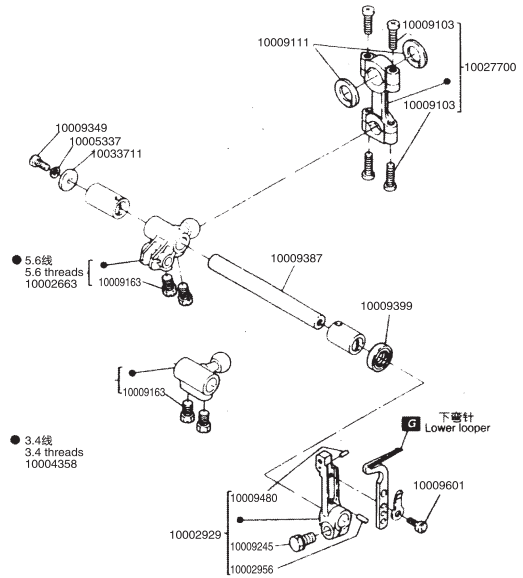
5

G 请参照标准零件表
Please confirm the correct part by the gauge parts lists.



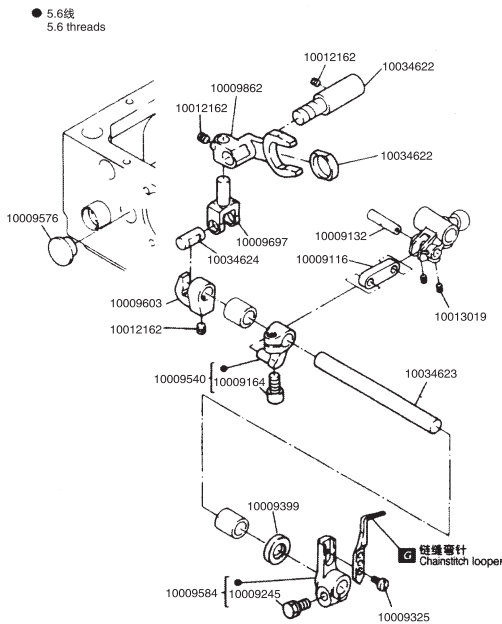
6

G 请参照标准零件表
Please confirm the correct part by the gauge parts lists.



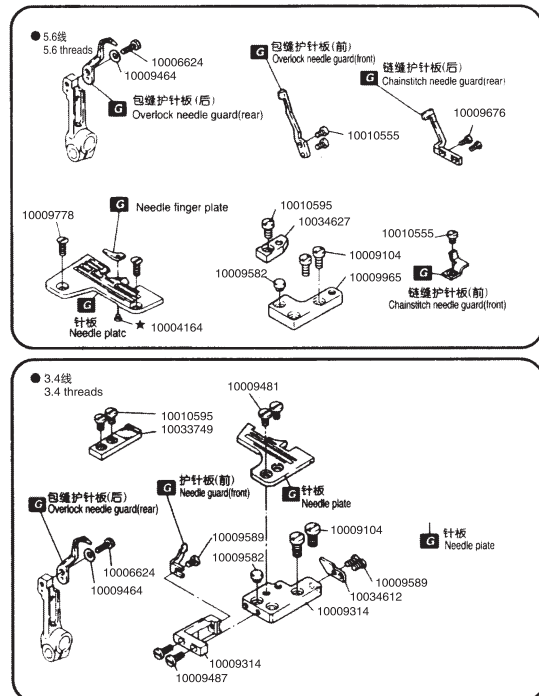
7

G 请参照标准零件表
Please confirm the correct part by the gauge parts lists.



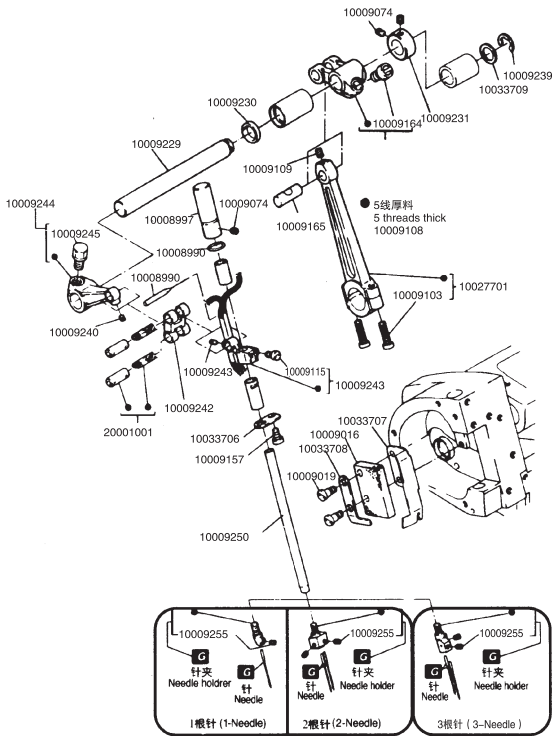
8

G 请参照标准零件表
Please confirm the correct part by the gauge parts lists.



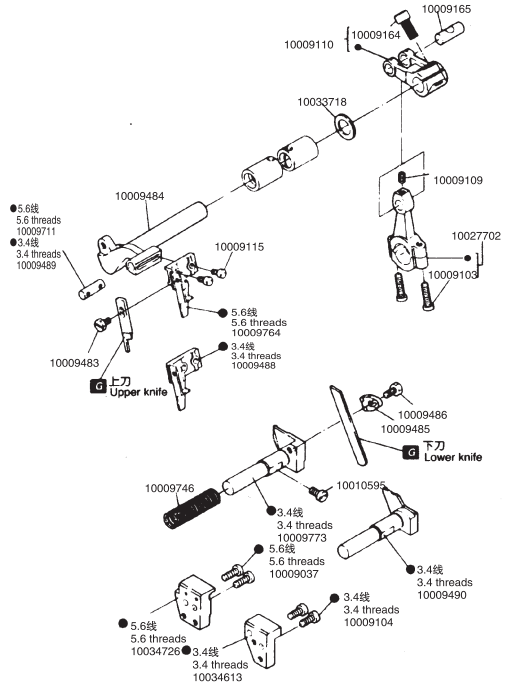
9

G 请参照标准零件表
Please confirm the correct part by the gauge parts lists.



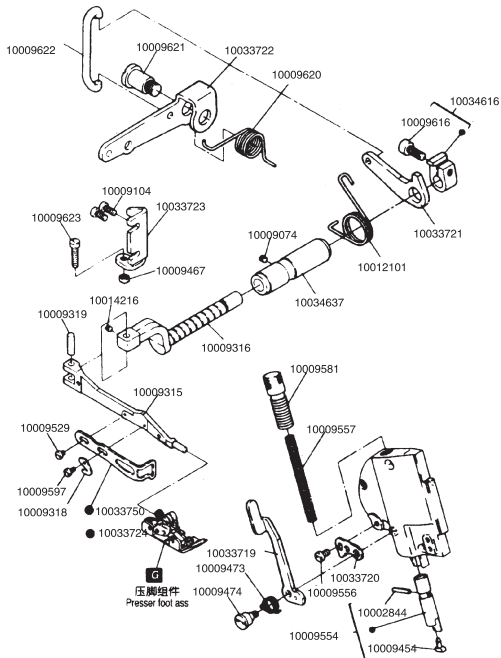
10

G 请参照标准零件表
Please confirm the correct part by the gauge parts lists.



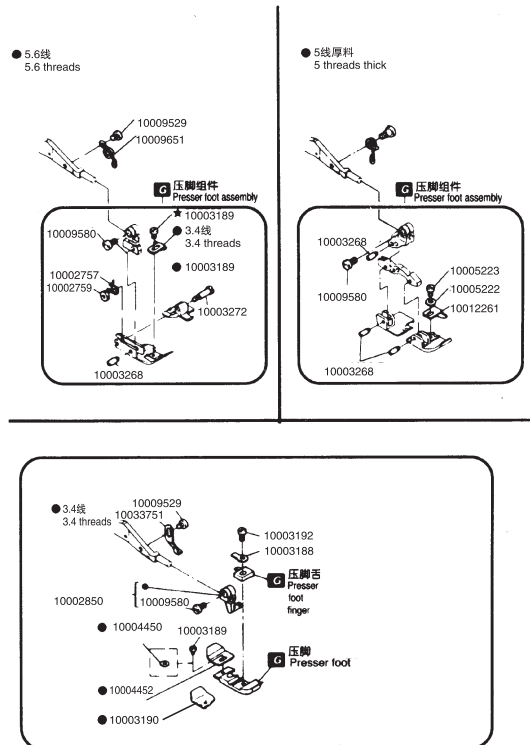
11

G 请参照标准零件表
Please confirm the correct part by the gauge parts lists.

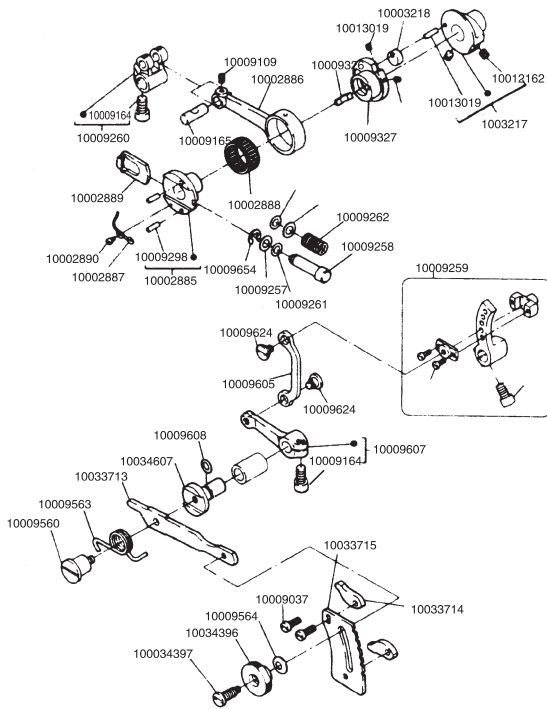


12

G 请参照标准零件表
Please confirm the correct part by the gauge parts lists.

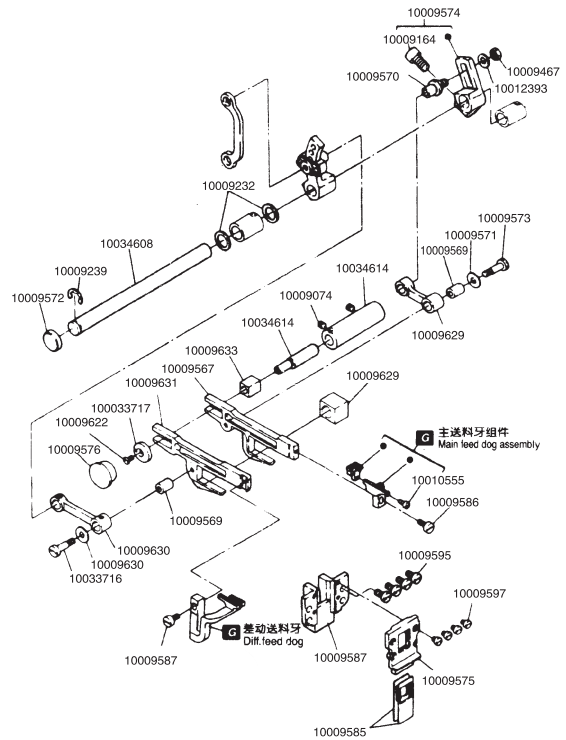


13

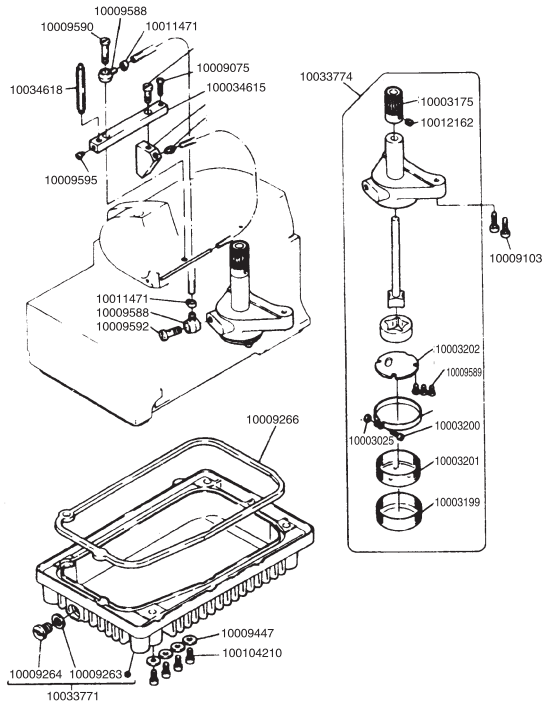


14

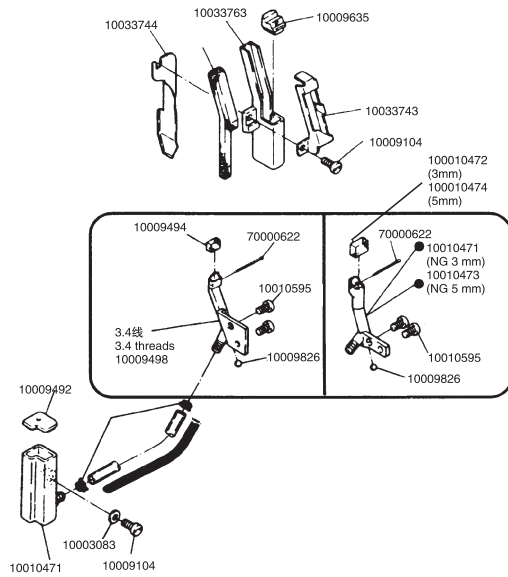
G 请参照标准零件表
Please confirm the correct part by the gauge parts lists.



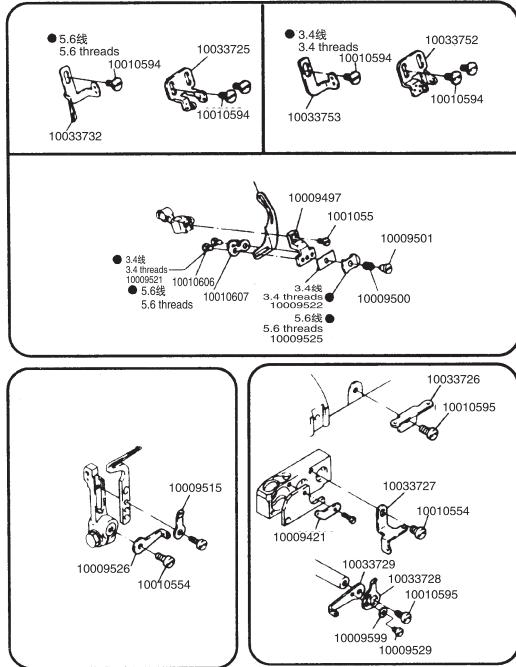
15



16

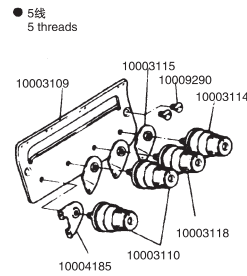
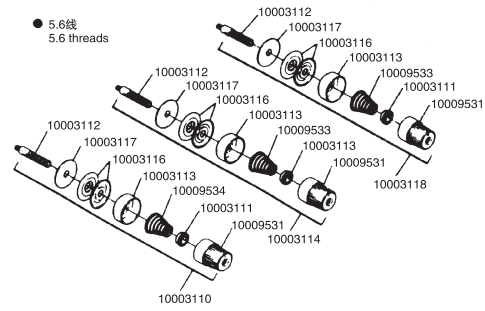


17

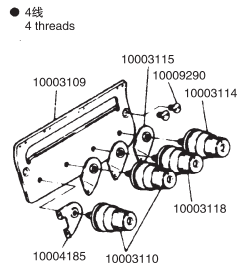
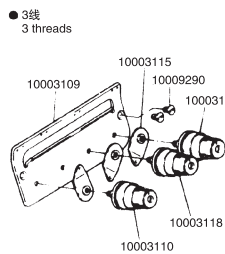
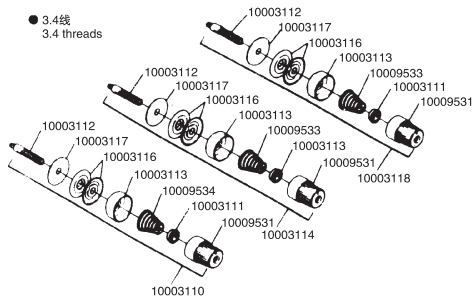


18

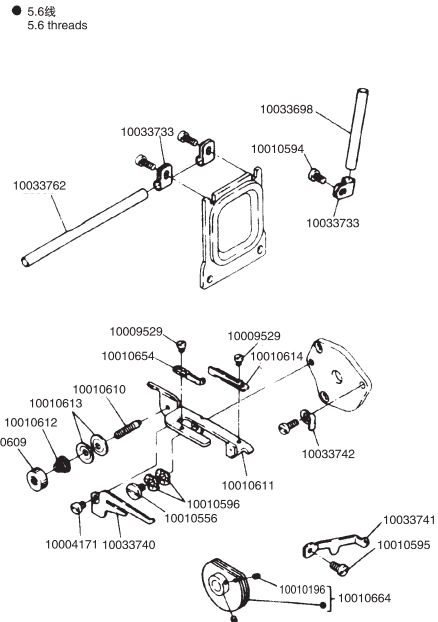
G 请参照标准零件表
Please confirm the correct part by the gauge parts lists.



19

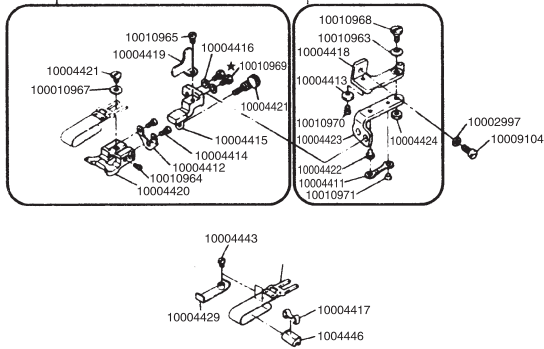


20

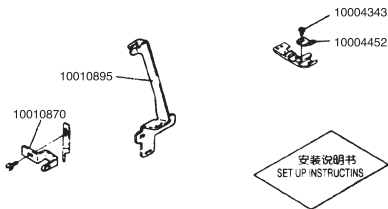


21

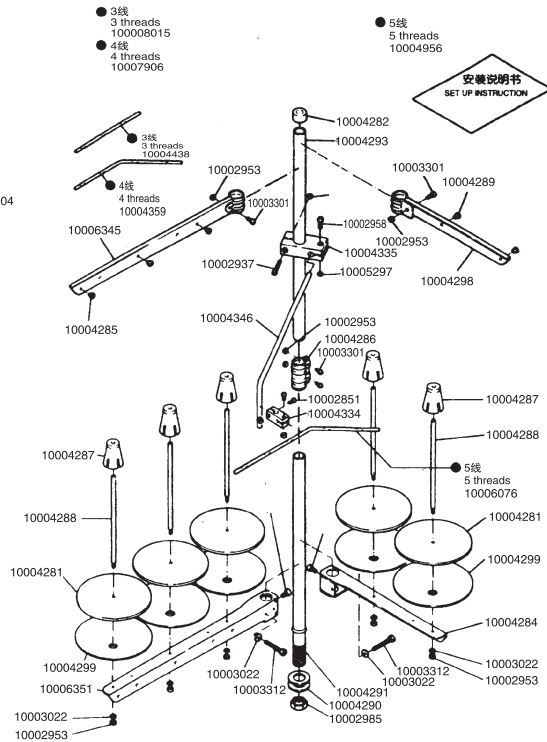
卷边 (Blind hemming)



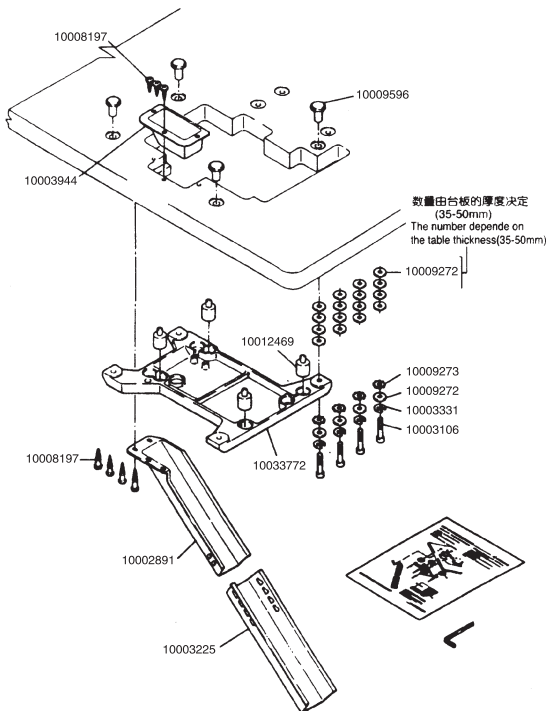
卷边附件 (Attaching tape)



22

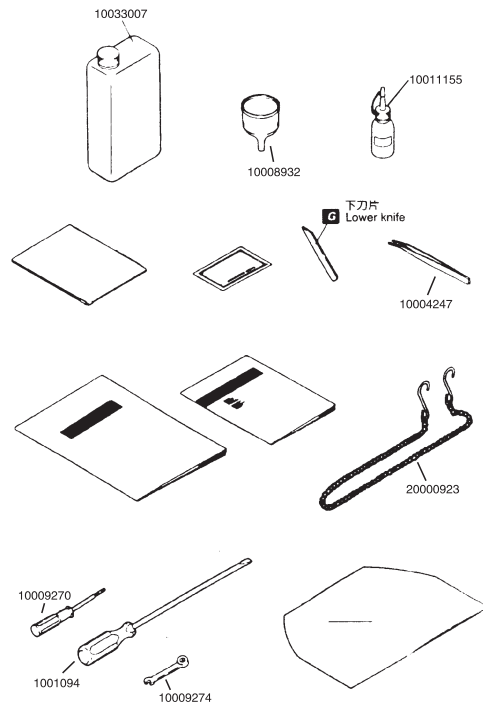


23

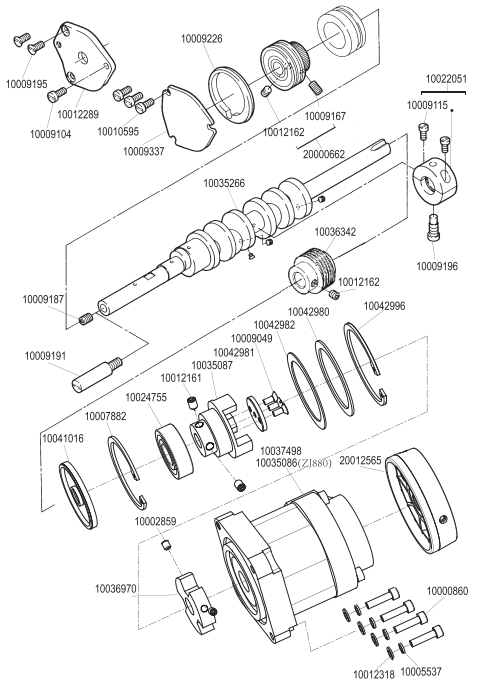


24

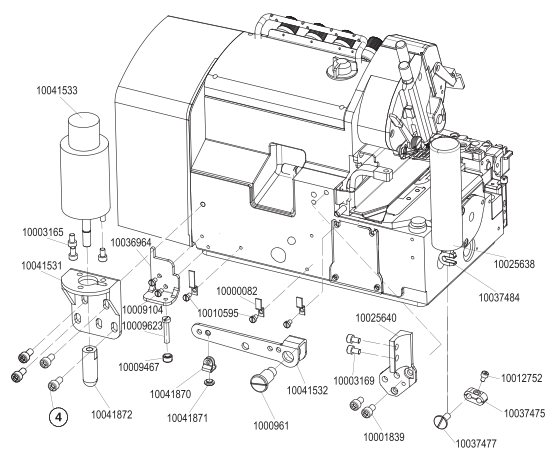
G 请参照标准零件表
Please confirm the correct part by the gauge parts lists.



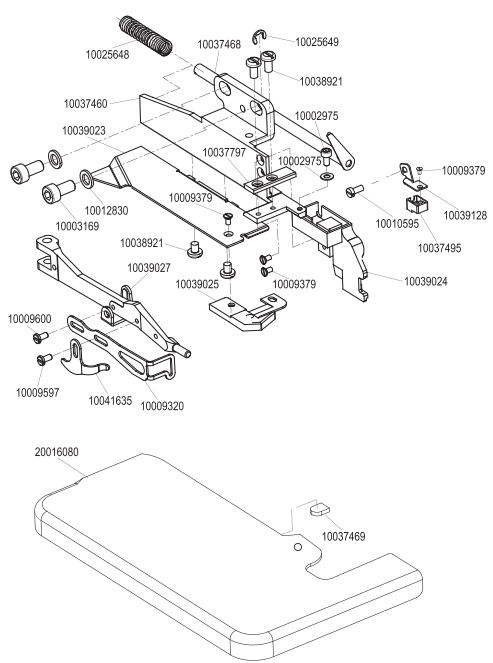
25



26



27



专用件目录表 GAUGE PARTS LIST

机型	针板	主送料牙 MAIN FEED DOG ASSY.	主送料牙 MAIN FEED DOG	辅助送料牙 AUX FEED DOG	差动送料牙 DIFF FEED DOG	压脚 PRESSER FOOT	吐线舌 PRESSER FOOT FINGER	上弯针 UPPER LOOPER	下弯针 LOWER LOOPER	上刀 UPPER KNIFE	下刀 LOWER KNIFE	包缝护针板 OVERLOCK NEEDLE GUARD	
												前 FRONT	后 REAR
MODEL	NEEDLE PLATE	MAIN FEED DOG ASSY.	MAIN FEED DOG	AUX FEED DOG	DIFF FEED DOG	PRESSER FOOT	PRESSER FOOT FINGER	UPPER LOOPER	LOWER LOOPER	UPPER KNIFE	LOWER KNIFE	FRONT	REAR
ZJ880-3-17	10009578	10033777	10003209	10003208	10033778	10002849	10004564	10009609	10009516	10009611	10010866	10009313	10009517
ZJ880-3-16S2	10013122	10013121	10006250	10006251	10013120	10002849	10004337	10009609	10009516	10009611	10010866	10009313	10009517
ZJ880-3-180	10013122	10013130	10006268	10003208	10013133	10006252	10006253	10011061	10009516	10009611	10010866	10009313	10009517
ZJ880-3-01	10010961	10010977	10004426	10003208	10010974	10004453	10004451	10009609	10009516	10009611	10010866	10009313	10009517
ZJ880-4-13	10012190	10019579	10003209	10003208	10009610	10004345	10004342	10011061	10009516	10009611	10010866	10009313	10009517
ZJ880-4-13H	10013136	10033777	10003209	10003208	10033778	10004345	10005977	10011061	10009516	10009611	10010866	10009313	10009517
ZJ880-4-181	10012760	10012809	10005899	10005903	10012810	10005978	10006175	10012759	10009516	10009611	10010866	10009313	10009517
ZJ880-5-38	10010549	10033781	10004166	10004167	10033782	10033780		10009403	10009516	10009611	10009765	10009313	10009517
ZJ880-5-70	10003338	10012455	10005715	10005694	10006093	10009652		10009403	10009516	10009611	10009765	10009313	10009517
ZJ880-5-86	10012263	10012264	10005133	10005134	10012287	10012259		10012288	10009516	10009611	10009765	10009313	10009517
ZJ880-6-355	10005617	10033781	10004166	10004167	10033782	10012698		10011061	10009516	10009611	10009765	10009313	10009517

专用件目录表 GAUGE PARTS LIST

机型	链弯针 CHAINSTITCH LOOPER	链缝护针板 OVERLOCK NEEDLE GUARD	针夹 NEEDLE HOLDER	机针 NEEDLE	直针夹线器 TENSION SPRING ASSY	上弯针夹线器 TENSION SPRING ASSY	下弯针夹线器 TENSION SPRING ASSY	手轮 HAND WHEEL	直驱手轮 HAND WHEEL	电机罩 COVER	皮带轮罩 BELT COVER ASSY	线架 THREAD STAND ASSY
ZJ880-3-17			10009269	10021310	10006902	10006751	10006879	10033769	10036967	10035092	10008968	10008015
ZJ880-3-16S2			10009269	10021310	10006902	10006751	10006879	10033769	10036967	10035092	10008968	10008015
ZJ880-3-180			10009269	10021310	10006902	10006751	10006879	10009168	10036967	10035092	10008968	10008015
ZJ880-3-01			10009269	10036373	10006902	10006751	10006879	10009168	10036967	10035092	10008968	10008015
ZJ880-4-13			10010104	10036373	10006902	10006751	10006879	10009168	10036967	10035092	10008968	10007906
ZJ880-4-13H			10010104	10021310	10006902	10006751	10006879	10033769	10036967	10035092	10008968	10007906
ZJ880-4-181			10010503	10021310	10006902	10006751	10006879	10033769	10036967	10035092	10008968	10007906
ZJ880-5-38	10009602	10010551	10009254	10021310	10006902	10006751	10006879	10033769	10036967	10035092	10008968	10004956
ZJ880-5-70	10009602	10009677	10010104	10021310	10006902	10006751	10006879	10033769	10036967	10035092	10008968	10004956
ZJ880-5-86	10009602	10009677	10010104	10021310	10006902	10006751	10006879	10033769	10036967	10035092	10008968	10004956
ZJ880-6-355	10009602	10009677	10010039	10021310	10006902	10006751	10006879	10033769	10036967	10035092	10008968	10005969

注：直驱机型为普通机型后加BD，如ZJ880-13-BD。
 Note: Direct drive model add -BD after basic model, for example: ZJ880-13-BD.