



自动高速平缝机 ZJ9700系列

AUTOMATIC HIGH-SPEED LOCKSTITCH SEWING MACHINE

使用说明书 零件手册 OPERATION MANUAL PARTS BOOK

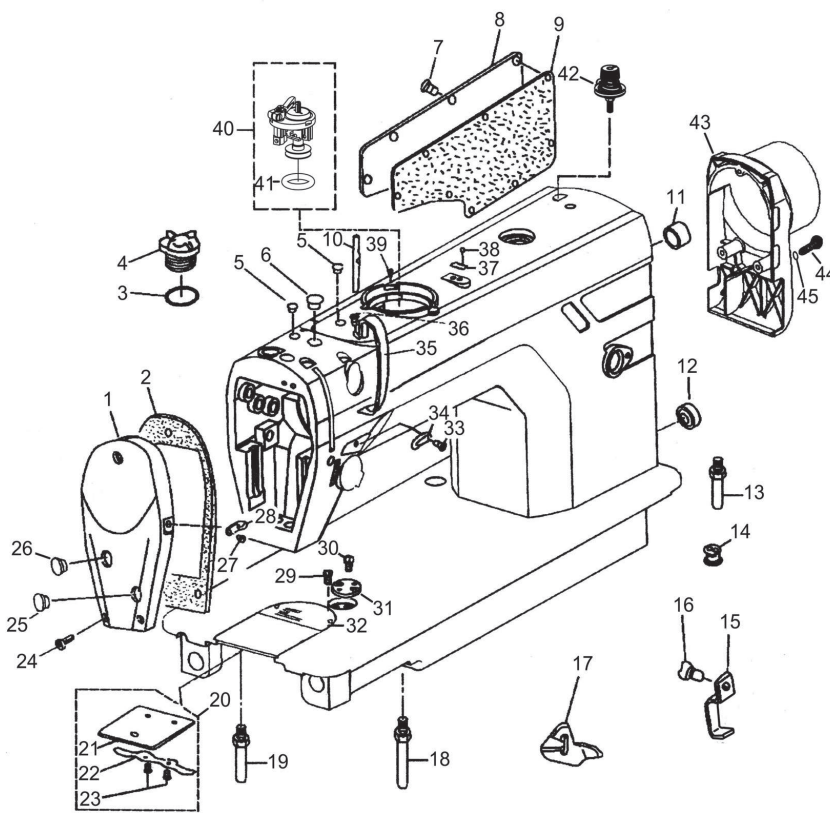
中国·中捷缝纫机股份有限公司
ZOJE SEWING MACHINE CO., LTD.
地址：浙江玉环经济开发区
ADD: DANMAYU ZONE, YUHUAN, ZHEJIANG, 317604 CHINA
免费咨询电话：TEL:800-857-9715

中国·中捷缝纫机股份有限公司
ZOJE SEWING MACHINE CO., LTD.



一、四排齿中厚料

1. 机壳分组件 MACHINE FACHINE FRAME & MISCELLANEOUS COVER COMPONENTS



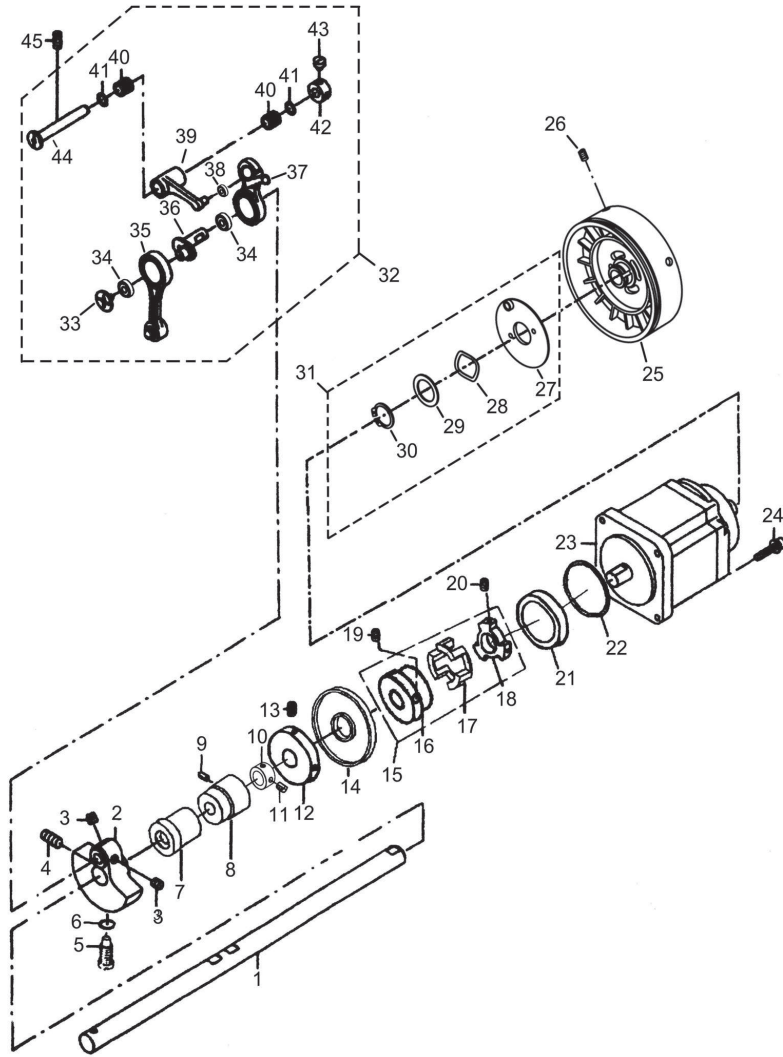
1. 机壳分组件 MACHINE FACHINE FRAME & MISCELLANEOUS COVER COMPONENTS

序号 Ref. No.	物料号 Part. No.	名称	Description	数量 Amt.
1	20003438	面板	FACE PLATE	1
2	10008954	面板垫	FACE PLATE GASKET	1
3	10008939	O形圈	O-RING	1
4	10008938	油窗	OIL WINDOW	1
5	10008943	橡胶塞	RUBBER PLUG	2
6	10008942	橡胶塞	RUBBER PLUG	1
7	10008972	螺钉	SCREW	8
8	20003774	后窗板	SIDE PLATE	1
9	10010877	后窗板垫	SIDE PLATE GASKET	1
10	10005639	过线柱	NEEDLE THREAD GUIDE PIN	1
11	10008975	橡胶塞	RUBBER PLUG	1
12	10008941	橡胶塞	RUBBER PLUG	1
13	10002577	底板支柱	BED SCREW STUD	2
14	10008823	电线过线套	NEEDLE BEARING	1
15	10012464	电线夹	CORD HOLDER	1
16	10008972	螺钉	SCREW	1
17	10008867	电线压板	CORD HOLDER	1
18	10008871	底板支柱(长)	BED SCREW STUD	1
19	10008830	底板支柱(中)	BED SCREW STUD	1
20	10013706	推板部件	SLIDE PLATE ASM.	1
21	10003960	推板	SLIDE PLATE	1
22	10003963	推板簧	SPRING OF SLIDE PLATE	1
23	10010080	螺钉	SCREW	2
24	10008972	螺钉	SCREW	3
25	10008977	橡胶塞	RUBBER PLUG	1
26	10008977	橡胶塞	RUBBER PLUG	1
27	10008973	螺钉	SCREW	1
28	10008937	左线钩	ARM THREAD GUIDE LEFT	1
29	10009005	螺钉	SCREW	2
30	10004374	螺钉	SCREW	2
31	10004373	限位挡片	RULER PLATE	1
32	10008805	针板	NEEDLE PLATE	1
33	10008973	螺钉	SCREW	1
34	10008940	右线钩	ARM THREAD GUIDE RIGHT	1
35	10014082	挑线杆护罩	THREAD TAKE-UP LEVER COVER	1
36	10008934	螺钉	SCREW	1
37	10011149	绕线切刀	THREAD CUTTER	1
38	10013504	螺钉	SCREW	2
39	10004380	螺钉	SCREW	3
40	10013967	绕线器	BOBBIN WINDER ASM.	1
41	10008773	O形圈	O-RING	1

1. 机壳分组件 MACHINE FACHINE FRAME & MISCELLANEOUS COVER COMPONENTS

序号 Ref.No.	物料号 Part.No.	名称	Description	数量 Amt.
42	10013064	绕线夹线器组件	BOBBIN THREAD TENSION ASM.	1
43	10002520	后盖	PULLEY COVER	1
44	10012080	螺钉	SCREW	3
45	10006115	垫圈	WASHER	3

2. 上轴挑线分组件(机头无油) MAIN SHAFT & THREAD TAKE-UP COMPONENTS



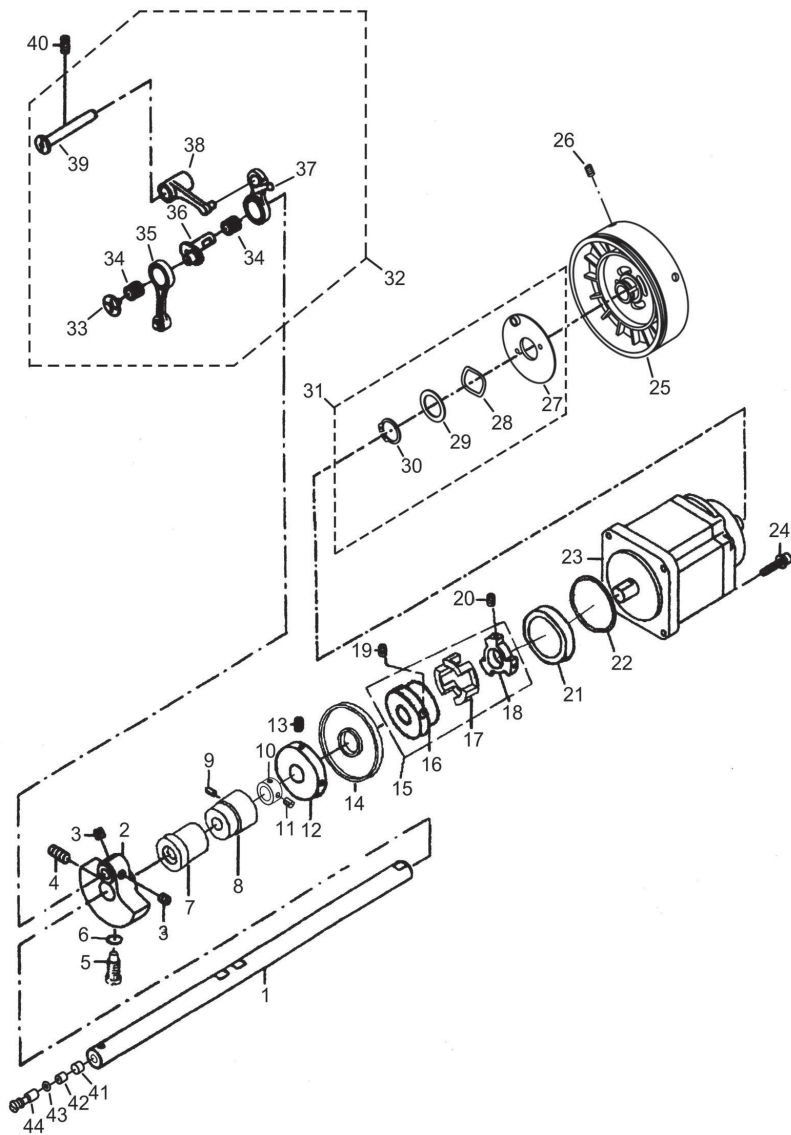
2. 上轴挑线分组件(机头无油) MAIN SHAFT & THREAD TAKE-UP COMPONENTS

序号 Ref. No.	物料号 Part. No.	名称	Description	数量 Amt.
1	10008910	上轴	MAIN SHAFT	1
2	10012203	针杆曲柄	COUNTER WEIGHT	1
3	10005020	螺钉	SCREW	2
4	10010082	螺钉	SCREW	1
5	10010545	螺钉	SCREW	1
6	10010534	O形圈	O-RING	1
7	10008820	轴套	BEARING SUPPORT	1
8	10007239	轴套	BEARING SUPPORT	1
9	10010593	螺钉	SCREW	1
10	10010542	挡圈	THRUST COLLAR	1
11	10005020	螺钉	SCREW	2
12	10004472	绕线主动轮	WHEEL	1
13	10011062	螺钉	SCREW	2
14	10008803	油封	OIL SEAL	1
15	20000325	联轴器组件	COUPLING ASM.	1
16	10008907	上轴联轴器	COUPLING ASM.	1
17	10008909	减震垫	WASHER	1
18	10008908	电机联轴器	COUPLING	1
19	10012161	螺钉	SCREW	2
20	10011232	螺钉	SCREW	3
21	10024755	轴承	BEARING	1
22	10003796	O形圈	O-RING	1
23	10008841	电机	MOTOR	1
24	10006157	螺钉	SCREW	4
25	20003384	上轮	HEAD WHEEL	1
26	10002436	螺钉	SCREW	2
27	10006898	停针磁铁组件	STOP NEEDLE MAGNETIC TRON MODULE	1
28	10003364	波纹垫圈	WAVE DORM WASHER	1
29	10003845	垫圈	WASHER	1
30	10003365	挡圈	CARD HUANG	1
31	10027624	停针装置	STOP NEEDLE MAGNETIC TRON MODULE	1
32	10012458	挑线杆组件	THREAD TAKE-UP ASM.	1
33	10010537	螺钉	SCREW	1
34	10003607	轴承	BEARING	2
35	10005712	针杆连杆	NEEDLE BAR CRANK ROD	1
36	10005748	挑线曲柄	NEEDLE BAR CRANK	1
37	10005791	挑线杆分部件	THREAD TAKE-UP ASM.	1
38	10003595	轴承	BEARING	1
39	10005788	挑线连杆	THREAD TAKE-UP BAR	1
40	10005747	轴承	BEARING	2
41	10005786	垫圈	WASHER	2

2. 上轴挑线分组件(头部无油) MAIN SHAFT &THREAD TAKE-UP COMPONENTS

序号 Ref.No.	物料号 Part.No.	名称	Description	数量 Amt.
42	10005745	挡圈	CARD HUANG	1
43	10013590	螺钉	SCREW	2
44	10005794	挑线连杆销	THREAD TAKE-UP CRANK SHAFT	1
45	10010083	螺钉	SCREW	1

2. 上轴挑线分组件(头部有油) MAIN SHAFT & THREAD TAKE-UP COMPONENTS



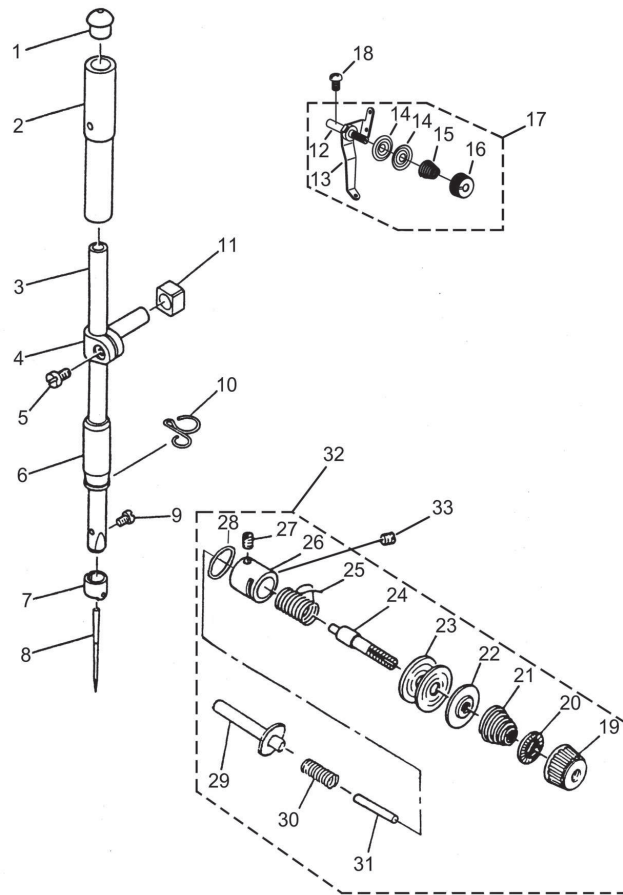
2. 上轴挑线分组件(机头有油) MAIN SHAFT & THREAD TAKE-UP COMPONENTS

序号 Ref. No.	物料号 Part. No.	名称	Description	数量 Amt.
1	10008910	上轴	MAIN SHAFT	1
2	10012203	针杆曲柄	COUNTER WEIGHT	1
3	10005020	螺钉	SCREW	2
4	10010082	螺钉	SCREW	1
5	10010545	螺钉	SCREW	1
6	10010534	O形圈	O-RING	1
7	10007233	轴套	BEARING SUPPORT	1
8	10007239	轴套	BEARING SUPPORT	1
9	10010593	螺钉	SCREW	1
10	10010542	挡圈	THRUST COLLAR	1
11	10005020	螺钉	SCREW	2
12	10004472	绕线主动轮	WHEEL	1
13	10011062	螺钉	SCREW	2
14	10008803	油封	OIL SEAL	1
15	20000325	联轴器组件	COUPLING ASM.	1
16	10008907	上轴联轴器	COUPLING ASM.	1
17	10008909	减震垫	WASHER	1
18	10008908	电机联轴器	COUPLING	1
19	10012161	螺钉	SCREW	2
20	10011232	螺钉	SCREW	3
21	10024755	轴承	BEARING	1
22	10003796	O形圈	O-RING	1
23	10008841	电机	MOTOR	1
24	10006157	螺钉	SCREW	4
25	20003384	上轮	HEAD WHEEL	1
26	10002436	螺钉	SCREW	2
27	10006898	停针磁铁组件	STOP NEEDLE MAGNETIC TRON MODULE	1
28	10003364	波纹垫圈	WAVE DORM WASHER	1
29	10003845	垫圈	WASHER	1
30	10003365	挡圈	CARD HUANG	1
31	10027624	停针装置	STOP NEEDLE MAGNETIC TRON MODULE	1
32	20000747	挑线杆组件	THREAD TAKE-UP ASM.	1
33	10010537	螺钉	SCREW	1
34	10014083	轴承	BEARING	2
35	10010592	针杆连杆	NEEDLE BAR CRANK ROD	1
36	10004144	挑线曲柄	NEEDLE BAR CRANK	1
37	10004158	挑线杆分部件	THREAD TAKE-UP ASM.	1
38	10010535	挑线连杆	THREAD TAKE-UP BAR	1
39	10010543	挑线连杆销	THREAD TAKE-UP CRANK SHAFT	1
40	10010083	螺钉	SCREW	1
41	10010541	曲柄油量限制毡	ROLLER FELT	1

2. 上轴挑线分组件(机头有油) MAIN SHAFT & THREAD TAKE-UP COMPONENTS

序号 Ref.No.	物料号 Part.No.	名称	Description	数量 Amt.
42	10010540	曲柄油量调节销套	RUBBER PUSHING	1
43	10010538	O形圈	O-RING	1
44	10010504	曲柄油量调节销	OIL AMOUNT ADJUSTING PINASM.	1

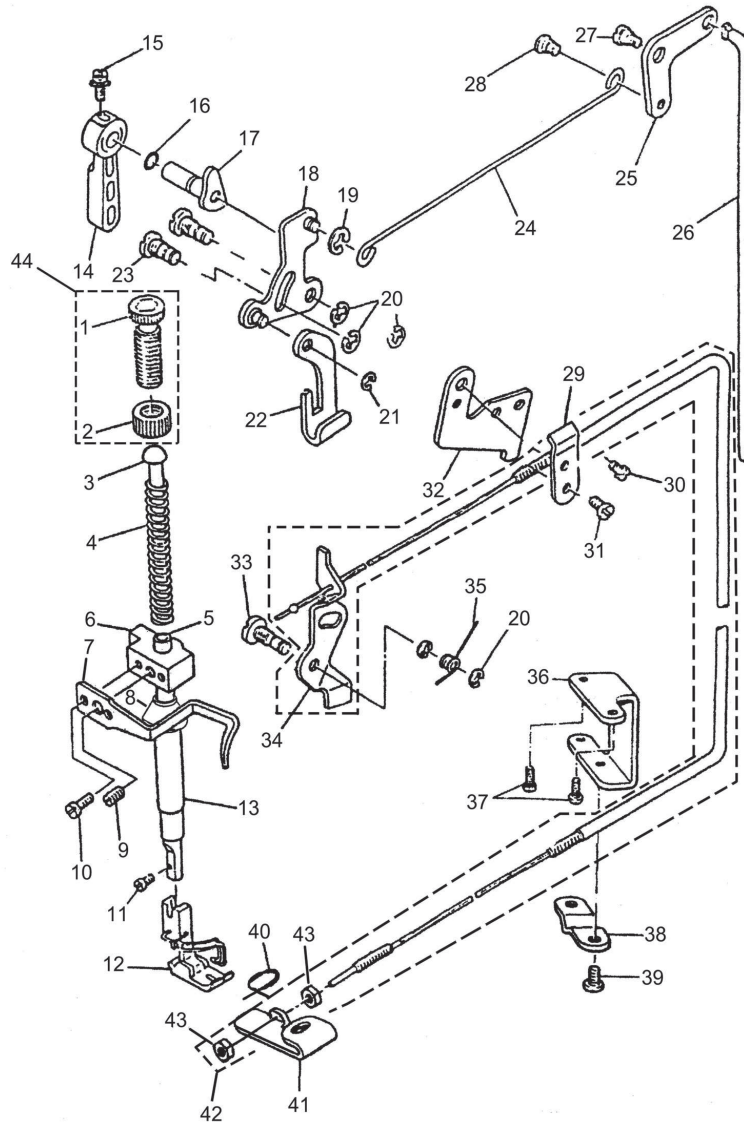
3. 针杆夹线分组件 NEEDLE BAR & THREAD TENSION COMPONENTS



3. 针杆夹线分组件 NEEDLE BAR & THREAD TENSION COMPONENTS

序号 Ref. No.	物料号 Part. No.	名称	Description	数量 Amt.
1	10010587	橡胶塞	RUBBER PLUG	1
2	10011063	针杆上轴套	NEEDLE BAR BUSHING, UPPER	1
3	10008825	针杆	NEEDLE BAR	1
4	10010590	针杆连接柱	NEEDLE BAR HOLDER	1
5	10010643	螺钉	SCREW	1
6	10008955	针杆下轴套(头部有油)	NEEDLE BAR BUSHING, LOWER	1
6	10014117	针杆下轴套(头部无油)	NEEDLE BAR BUSHING, LOWER	1
7	10010591	针杆线钩	NEEDLE BAR THREAD GUIDE	1
8	10004898	机针	NEEDLE	1
9	10010588	螺钉	SCREW	1
10	10010638	针杆下轴套线钩	NEEDLE BAR THREAD GUIDE	1
11	10010586	针杆连接柱滑块	SLIDE BLOCK	1
12	10005841	螺钉	SCREW	1
13	10012589	上过线板	THREAD TENSION POST	1
14	10005839	上夹线板	BOBBIN WINDER TENSION DISC	2
15	10005838	弹簧	SPRING	1
16	10006022	螺母	TENSION NUT	1
17	10012867	上夹线器部件	BOBBIN THREAD TENSION ASM.	1
18	10008934	螺钉	SCREW	1
19	10012981	螺母	TENSION NUT	1
20	10004199	夹线制动板	TENSION DISC STOPPER	1
21	10004176	弹簧	SPRING	1
22	10004179	松线板	TENSION DISC HOLDER	1
23	10004180	夹线板	TENSION DISC	2
24	10004177	螺钉	SCREW	1
25	10004201	弹簧	SPRING	1
26	10010639	挑线簧调节座	TENSION POST SOCKET	1
27	10004200	螺钉	SCREW	1
28	10004183	O形圈	O-RING	1
29	10008839	松线辅钉	TENSION RELEASE SUPPORTING PIN	1
30	10010642	弹簧	SPRING	1
31	10004184	松线钉	THREAD RELEASE PIN	1
32	10013000	夹线器部件	BOBBIN THREAD TENSION ASM.	1
33	10008934	螺钉	SCREW	1

4. 压料、松线分组件 PRESSER BAR & TENSION RELEASE COMPONENTS



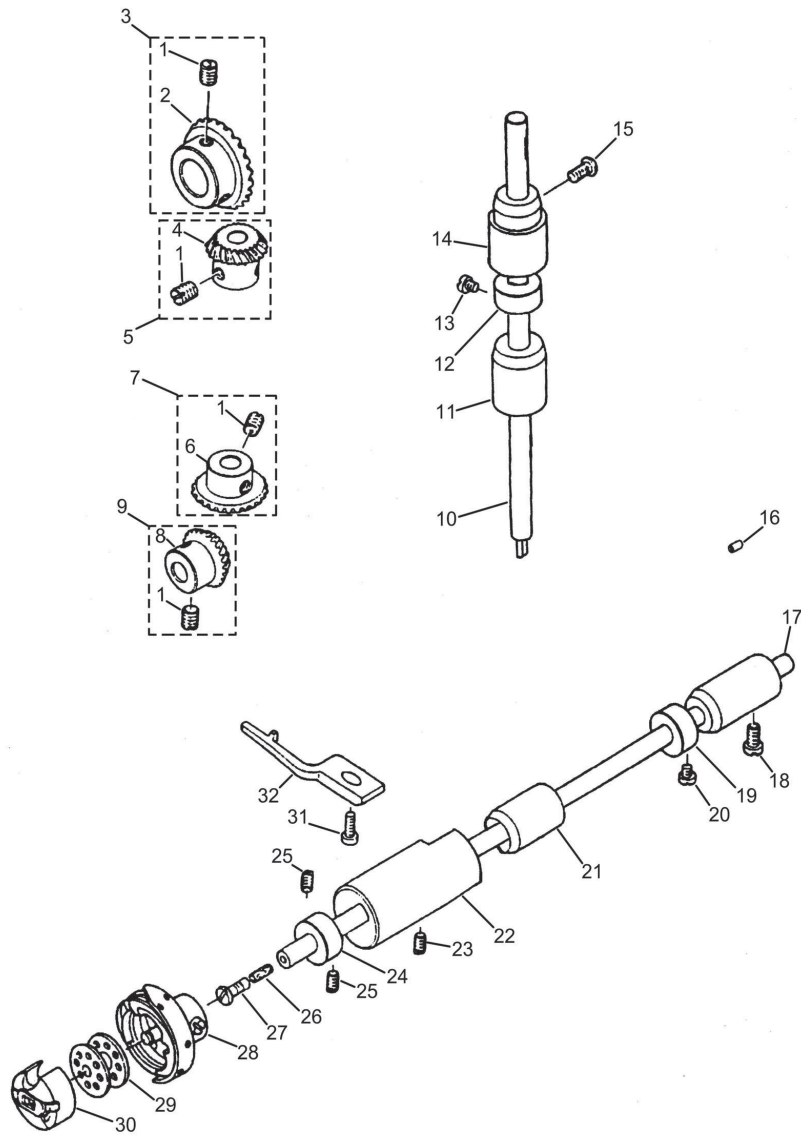
4. 压料、松线分组件 PRESSER BAR & TENSION RELEASE COMPONENTS

序号 Ref. No.	物料号 Part. No.	名称	Description	数量 Amt.
1	10011022	调压螺钉	SCREW	1
2	10011023	调压螺母	NUT	1
3	10004439	调压导杆	PRESSER GUIDE BAR	1
4	10004473	弹簧	SPRING	1
5	10010646	压杆	PRESSER GUIDE BAR	1
6	10008843	压杆导架	NEEDLE BAR GUIDE BRACKET	1
7	10010021	缓线调节钩	PRESSER BAR GUIDE BRACKET	1
8	10011457	压紧杆防油罩	PRESSER BAR OIL SEAL	1
9	10003921	螺钉	SCREW	1
10	10010018	螺钉	SCREW	2
11	10010650	螺钉	SCREW	1
12	10012449	活压脚部件	PRESSER FOOT ASM.	1
13	10014118	压杆轴套	PRESSER BAR BUSHING LOWER	1
14	10011064	压脚扳手	HAND LOFTER	1
15	10010016	螺钉	SCREW	1
16	10010027	O形圈	O-RING	1
17	10008826	压脚扳手凸轮部件	HAND LOFTER CAM ASM.	1
18	10008874	抬压脚前杠杆部件	HAND LIFTER LINK ASM.	1
19	10010649	挡圈	SNAP RING	1
20	10013038	挡圈	SNAP RING	5
21	10010026	挡圈	SNAP RING	1
22	10010648	压脚升降板	LIFTING LEVER	1
23	10010653	前杠杆螺纹销	LINK SHAFT	2
24	10010025	抬压脚拉杆	LIFTING LEVER CONNECTING ROD	1
25	10010017	抬压脚后杠杆	LIFTING LEVER LINK	1
26	10010020	抬压脚顶杆	CONNECTING ROD VERRICAL	1
27	10010652	螺钉	SCREW	1
28	10010082	螺钉	SCREW	1
29	10012445	软管压板	WIRE HOLDER	1
30	10012446	螺钉	SCREW	1
31	10010074	螺钉	SCREW	1
32	10012448	软管支撑板	WIRE HOLDER BRACKET (UPPER)	1
33	10010022	松线顶板螺纹销	TENSION RELEASE SHAFT	1
34	10010019	松线顶板	TENSION RELEASE PLATE	1
35	10010647	弹簧	SPRING	1
36	10008811	松线钢绳座	LOOSING LINE PLATE	1
37	10008972	螺钉	SCREW	2
38	10013615	钢绳固定板	FIXING SHUTTER	1
39	10006624	螺钉	SCREW	2
40	10008824	弹簧	SPRING	1
41	10008860	松线座	LOOSING PLATE	1

4. 压料、松线分组件 PRESSER BAR & TENSION RELEASE COMPONENTS

序号 Ref.No.	物料号 Part.No.	名称	Description	数量 Amt.
42	10008832	松线钢丝部件	LOOSING LINE ASM.	1
43	10005697	螺母	NUT	2
44	10008409	调压螺钉组件	PRESSER SPRING REGULATOR ASM.	1

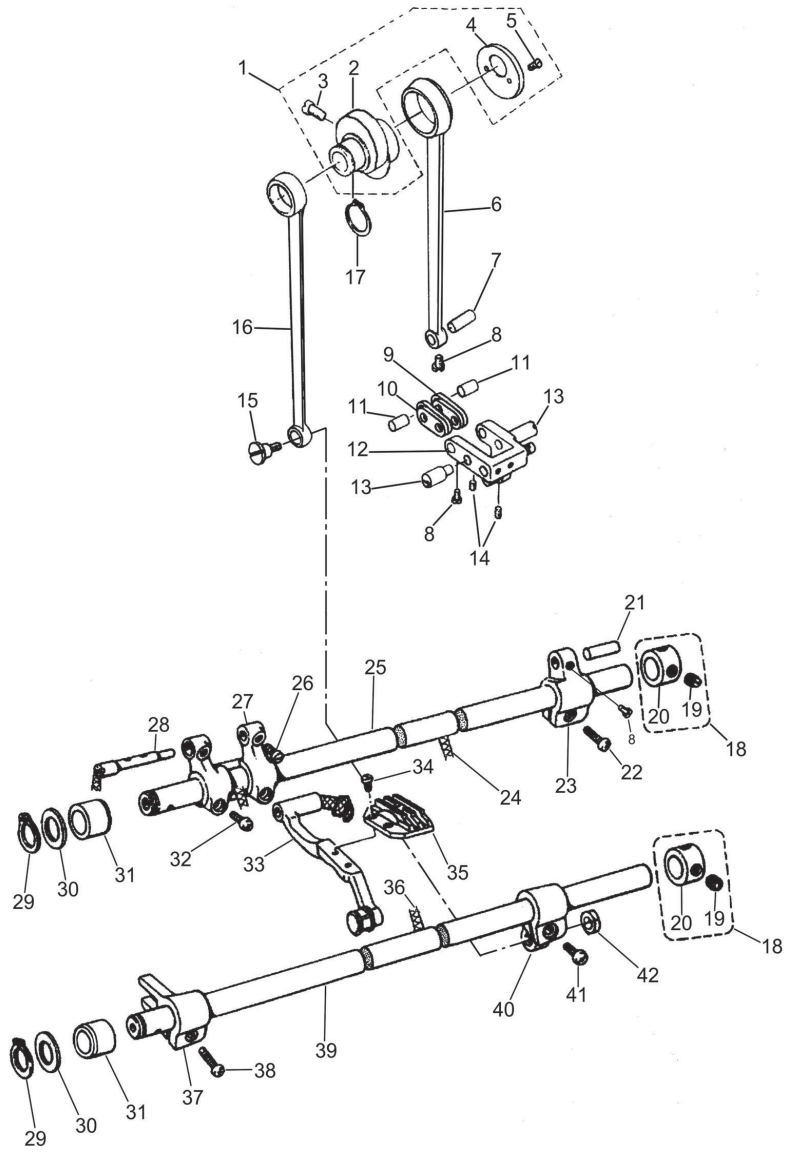
5. 勾线分组件 HOOK OF DRIVING SHAFT COMPONENTS



5. 勾线分组件 HOOK OF DRIVING SHAFT COMPONENTS

序号 Ref. No.	物料号 Part. No.	名称	Description	数量 Amt.
1	10010065	螺钉	SCREW	8
2	10010056	上轴伞齿轮	GEAR	1
3	10002445	上轴伞齿轮组件	GEAR ASM.	1
4	10010062	竖轴上伞齿轮	GEAR	1
5	10002561	竖轴上伞齿轮组件	GEAR ASM.	1
6	10010029	竖轴下伞齿轮	GEAR	1
7	10002509	竖轴下伞齿轮组件	GEAR ASM.	1
8	10003937	下轴伞齿轮	GEAR	1
9	10002560	下轴伞齿轮组件	GEAR ASM.	1
10	10010057	竖轴	UPRINGT SHAFT	1
11	10007235	竖轴下轴套	UPRIGHT SHAFT BUSHING, LOWER	1
12	10010058	挡圈	THRUST COLLAR	1
13	10010059	螺钉	SCREW	2
14	10007267	竖轴上轴套	BUSHING, UPPER	1
15	10008972	螺钉	SCREW	1
16	10008864	橡皮塞	RUBBER PLUG	1
17	10008821	下轴	KOOK DRIVING SHAFT	1
18	10010030	螺钉	SCREW	1
19	10010058	挡圈	THRUST COLLAR	1
20	10010059	螺钉	SCREW	2
21	10008857	下轴中轴套	BUSHING MIDDLE	1
22	10014142	下轴前轴套	BUSHING ASM. FRONT	1
23	10010593	螺钉	SCREW	1
24	10009997	挡圈	THRUST COLLAR	1
25	10008833	螺钉	SCREW	2
26	10010063	下轴限油芯	OIL WICK	1
27	10010064	下轴限油螺钉	SCREW	1
28	10023998	旋梭	HOOK ASM.	1
29	10025484	梭芯	BOBBIN	1
30	10006924	梭壳	BOBBIN CASE ASM.	1
31	10010373	螺钉	SCREW	1
32	10009998	旋梭定位钩	POSTIONING FINGER	1

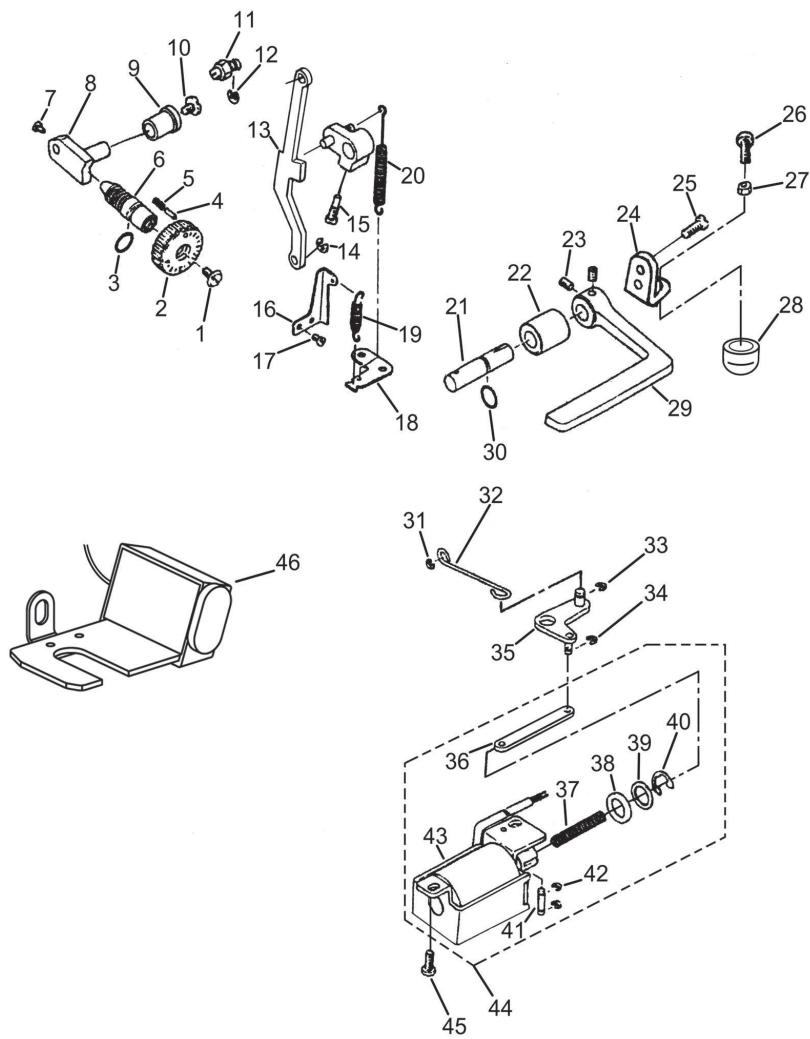
6. 送料分组件 FEED MECHANISM COMPONENTS



6. 送料分组件 FEED MECHANISM COMPONENTS

序号 Ref. No.	物料号 Part. No.	名称	Description	数量 Amt.
1	20004564	送料偏心轮部件	FEED DRIVE ECCENTRIC CAM ASM.	1
2	10010115	送料偏心轮	FEED DRIVE ECCENTRIC CAM	1
3	10010092	螺钉	SCREW	2
4	10010098	偏心轮盖板	THRUST COLLAR	1
5	10010643	螺钉	SCREW	2
6	10010072	送料连杆	ROCKER SHAFT CONNECTING ROD	1
7	10010069	送料连杆销	WALKING FOOD PIN	1
8	10010071	螺钉	SCREW	4
9	10010068	送料长摆动板	LINK (LANG)	2
10	10010075	送料短摆动板	LINK (SHORT)	2
11	10010087	长摆动板连接销	PIN	2
12	10012775	送料摆动板座部件	FEED ADJUSTING ASM.	1
13	10010102	左右销	ADJUSTING LINK SHAFT	2
14	10010506	螺钉	SCREW	2
15	10010091	螺钉	SCREW	1
16	10010084	拾牙连杆	CONNECTING ROD	1
17	10010089	挡圈	SNAP RING	1
18	20000348	拾牙送料轴紧圈组件	RETAINING RING ASM.	2
19	10012014	螺钉	SCREW	4
20	10008851	挡圈	RETAINING RING	2
21	10010096	送料曲柄销	WALKING FOOD PIN	1
22	10010095	螺钉	SCREW	1
23	10010076	送料曲柄	FEED ROCKER SHAFT CRANK ASM.	1
24	10008067	送料轴油线	OIL WICK	1
25	10008840	送料轴	FEED ROCKER SHAFT	1
26	10010901	螺钉	SCREW	2
27	10008842	牙架曲柄	FEED CRACKET	1
28	10008824	牙架销	FEED BAR SHAFT	1
29	10010090	挡圈	SNAP RING	2
30	10010902	垫圈	WASHER	2
31	10008906	送料轴前轴套	DEED ROCKER SHAFT BUSHING	2
32	10010900	螺钉	SCREW	2
33	20001964	牙架部件	FEED ROCKET BASE ASM.	1
34	10010099	螺钉	SCREW	2
35	10008853	送料牙	FEED DOG	1
36	10008067	油线	OIL WICK	1
37	10010100	拾牙叉形曲柄	DRIVING SHAFT CRANK ASM. FRONT	1
38	10010093	螺钉	SCREW	1
39	10008804	拾牙轴	FEED DRIVING SHAFT	1
40	10010086	拾牙后曲柄	FEAR CRACK ASM.	1
41	10010091	螺钉	SCREW	1
42	10004475	螺母	NUT	1

7. 送料调节分组件 FEED REGULATING COMPONENTS



7. 送料调节分组件 FEED REGULATING COMPONENTS

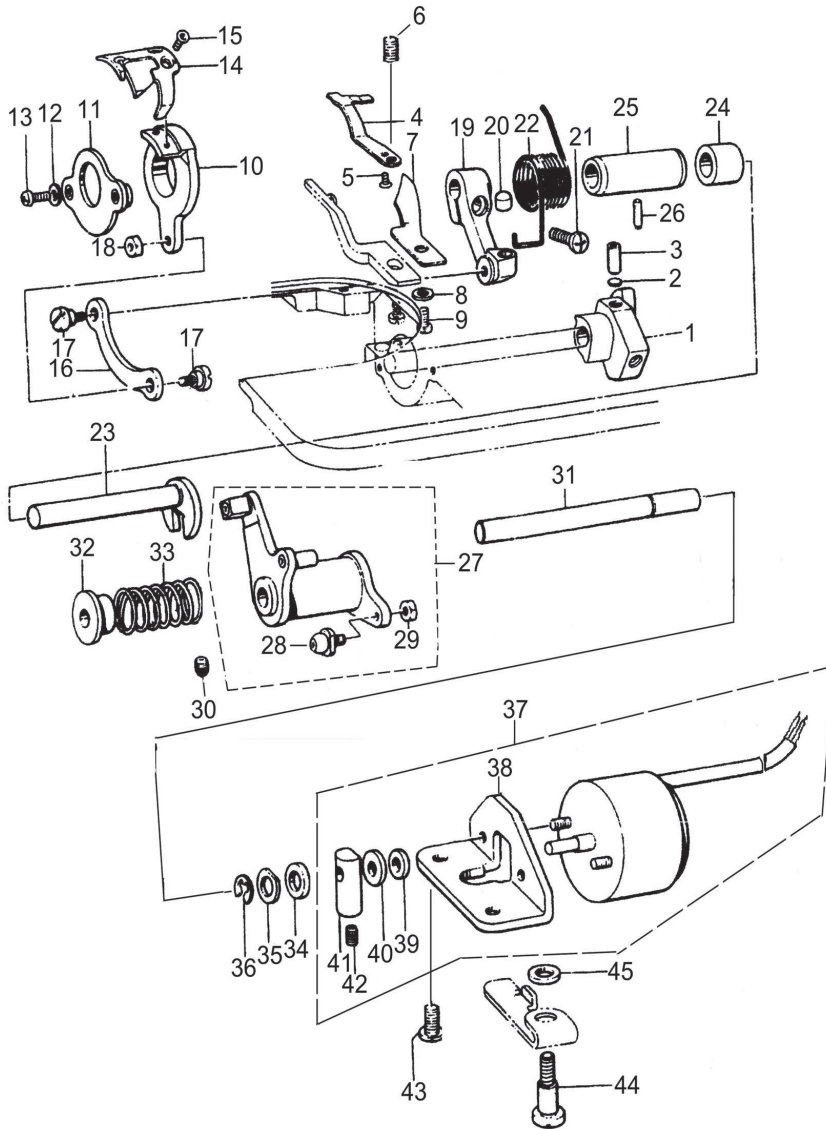
序号 Ref. No.	物料号 Part. No.	名称	Description	数量 Amt.
1	10010281	螺钉	SCREW	1
2	10011024	送料距旋钮	FEED DIAL	1
3	10010240	O形圈	O-RING	1
4	10013870	销	PIN	1
5	10013869	弹簧	SPRING	1
6	10008829	送料调节螺柱	FEED REGULATOR SCREW	1
7	10010643	螺钉	SCREW	2
8	10008848	送料调节器	FEED REGULATOR SCREW	1
9	10008956	送料调节器轴套	FEED REGULATOR BUSHING	1
10	10010238	螺钉	SCREW	1
11	10026886	倒送料连杆销	FEED REGULATOR PIN	1
12	10010649	挡圈	SNAP RING	1
13	10008852	倒送料连杆	FEED REGULATOR CONNECTING ROD	1
14	10010649	挡圈	SNAP RING	1
15	10010236	螺钉	SCREW	1
16	10010282	摆动板座复位板	ADJUSTING LINK SPRING GUIDE	1
17	10010285	螺钉	SCREW	2
18	10010235	拉簧固定板	FEED REVERSE HOOK	1
19	10012796	弹簧	SPRING	1
20	10004430	弹簧	SPRING	1
21	10008827	倒送料轴	FEED REVERSE SHAFT	1
22	10014119	倒送料轴套	FEED LEVER METAL	1
23	10003921	螺钉	SCREW	2
24	10008876	限位螺钉座	RULER RETAINING PLATE	1
25	10011798	螺钉	SCREW	2
26	10009171	螺钉	SCREW	1
27	10012855	螺母	NUT	2
28	10008809	限位螺钉减震垫	WASHER	1
29	20003459	倒送料扳手	REVERSE FEED CONTROL LEVER	1
30	10010243	O形圈	O-RING	1
31	10010649	挡圈	SNAP RING	1
32	10012797	自动倒送料拉杆	REVERSE FEED CONNECTING SHAFT	1
33	10010649	挡圈	SNAP RING	1
34	10012795	挡圈	SNAP RING	1
35	10012824	自动倒送料曲柄部件	CONNECTING ARM ASM.	1
36	10005964	铁芯连杆	REVERSC FEED CONNECTING SHAFT	1
37	10005995	弹簧	SPRING	1
38	10005961	垫圈	WASHER	1
39	10005966	垫圈	WASHER	1
40	10003232	挡圈	SNAP RING	1
41	10005993	销	PIN	1

7. 送料调节分组件 FEED REGULATING COMPONENTS

序号 Ref. No.	物料号 Part. No.	名称	Description	数量 Amt.
42	10012795	挡圈	SNAP RING	2
43	10005994	倒送料电磁铁线圈组件	REVERSE FEED MAGNET ASM.	1
44	10012825	倒送料驱动部件	REVERSE FEED MAGNET ASM.	1
45	10012473	螺钉	SCREW	2
46	10002472	点动倒送料部件	OPTION SWITCH ASM.	1

8.1、剪线分组件 THREAD TRIMMER COMPONENTS

(旋刀组件 ROUND KNIFE COMPONENTS)



8.1、剪线分组件 THREAD TRIMMER COMPONENTS

(旋刀组件 ROUND KNIFE COMPONENTS)

序号 Ref. No.	物料号 Part. No.	名称	Description	数量 Amt.
1	10010736	剪线凸轮	THREAD TRIMMER CAM	1
2	10023739	剪线凸轮垫	CAM COLLER	2
3	10013465	剪线凸轮螺钉	SCREW	2
4	10011421	定刀	CONNTER KNIFE	1
5	10011422	定刀固定螺钉	SCREW	1
6	10024496	定刀调压螺钉	SCREW	1
7	10011584	分线器	DISPART THREAD SHUTTLE	1
8	10013154	分线器固定螺钉垫圈	WASHER	1
9	10011497	分线器固定螺钉	SCREW	1
10	10004640	动刀架	ROUND KNIFE BRACKET	1
11	10008856	刀架压板组件	KNIFE HOLDER ASM.	1
12	10013154	刀架压板垫圈	WASHER	2
13	10013541	刀架压板螺钉	SCREW	2
14	10011494	动刀	ROUND KNIFE	1
15	10011588	动刀固定螺钉	SCREW	2
16	10011577	刀轴连杆	KNIFE SHAFT CRACK ROD	1
17	10011514	刀轴连杆螺钉	SCREW	1
18	10011578	刀轴连杆螺母	NUT	1
19	10011579	切线驱动曲柄	TRIMMING CRANK	1
20	10011580	切线驱动曲柄止动块	BLOCK	1
21	10008863	切线驱动曲柄螺钉	SCREW	1
22	10011649	复位弹簧	REPLACE SPRING	1
23	10008866	切线驱动曲柄轴	TRIMMING CRANK SHAFT	1
24	10011630	驱动曲柄轴短套	SHORT BUSHING	1
25	10012454	切线轴套	BUSHING	1
26	10012062	切线轴套紧定螺钉	SCREW	1
27	10011686	切线凸轮曲柄组件	TRIMMING CRANK CRANK CAM	1
28	10004650	滚柱轴分组件	ROLLER BEARING SHAFT ASM.	
29	10011578	螺母	NUT	1
30	10008862	切线凸轮曲柄紧定螺钉	SCREW	1
31	10011697	切刀驱动轴	TRIMMING SHAFT	1
32	10014196	扭簧端盖	SPRING CVER	1
33	10008812	剪线电磁铁复位弹簧	SPRING	1
34	10011650	切线磁铁垫圈	WASHER	1
35	10003020	切线驱动轴垫圈	CLIP	1
36	10009654	切线驱动轴卡圈	WASHER	1
37	10008838	剪线电磁铁组件	THREAD TRIMMER SOLENOID ASM.	1
38	10008854	剪线电磁铁安装座	SOLENOID BASE	1
39	10011606	电磁铁缓冲垫	WASHER	1
40	10011845	垫圈	WASHER	1

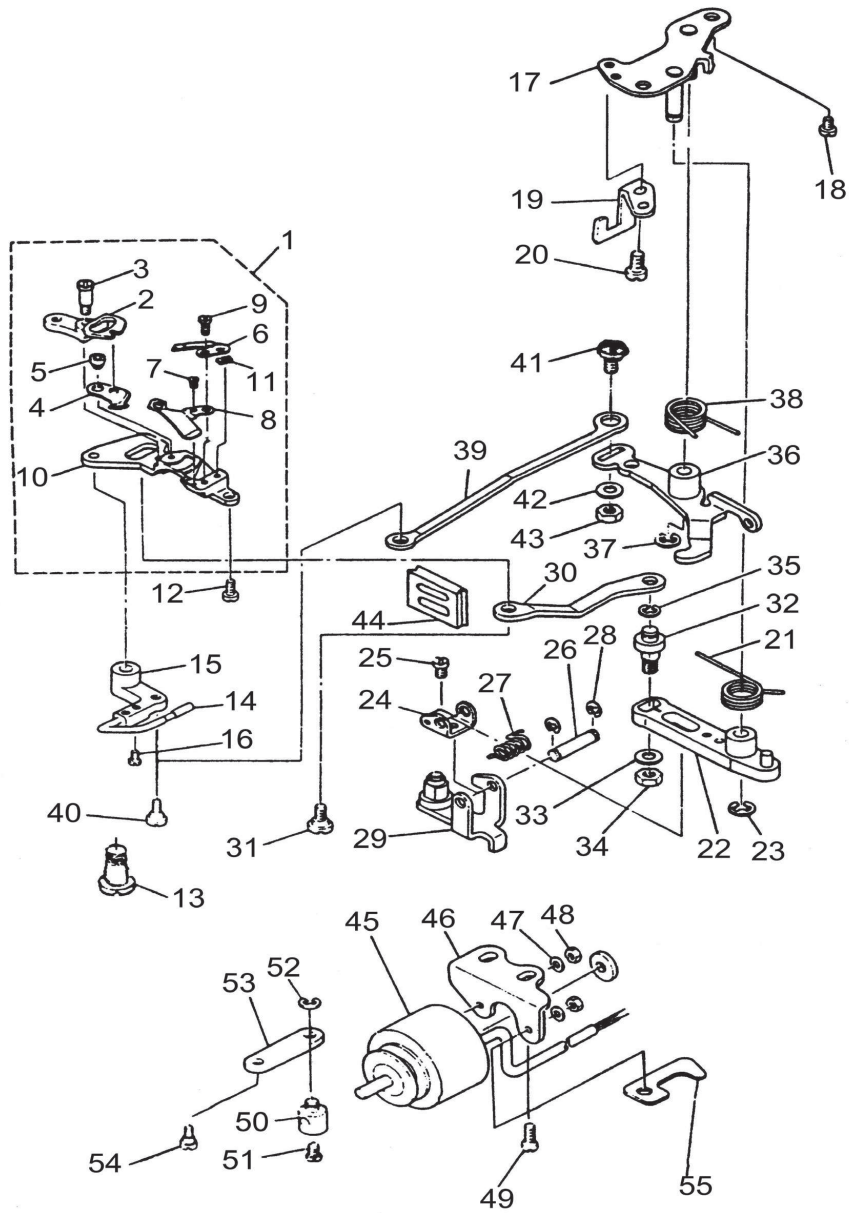
8.1、剪线分组件 THREAD TRIMMER COMPONENTS

(旋刀组件 ROUND KNIFE COMPONENTS)

序号 Ref. No.	物料号 Part. No.	名称	Description	数量 Amt.
41	10011607	切线电磁铁连接体	SOLENOID CONNECTING SHAFT	1
42	10013590	固定螺钉	SCREW	1
43	10011605	剪线电磁铁固定螺钉	SCREW	1
44	10012467	松线座螺钉	SCREW	1
45	10008865	切线电磁铁架垫圈	WASHER	1

8.2、剪线分组件 THREAD TRIMMER COMPONENTS

(平刀组件 STRAIGHT KNIFE COMPONENTS)



8.2、剪线分组件 THREAD TRIMMER COMPONENTS

(平刀组件 STRAIGHT KNIFE COMPONENTS)

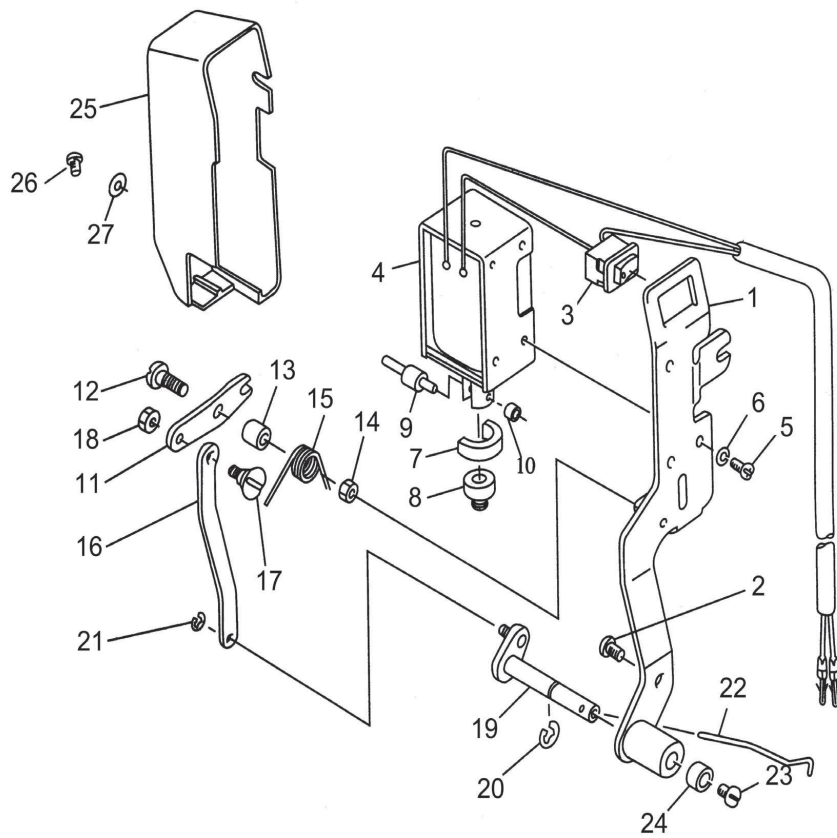
序号 Ref. No.	物料号 Part. No.	名称	Description	数量 Amt.
1	10013183	剪线刀部件	KNIFE UNIT	1
2	10006025	动刀摆动叉	FORKED BASE FOR KNIFE	1
3	10014481	摆动叉轴位螺钉	HINGE SCREW	1
4	10005968	动刀部件	MOVING KNIFE ASM.	1
5	10005806	动刀轴位螺钉	MOVING KNIFE HIGE SCREW	1
6	10005671	定刀	COUNTER KNIFE	1
7	10006242	定刀螺钉	SCREW 1/8-44 L=6	2
8	10005669	剪线导线钩	THREAD GUIDE FOR KNIFE	1
9	10005664	剪线导线钩螺钉	SCREW 3/32-56 L=2.3	1
10	10006021	剪线刀座	KNIFE MOUNTING BASE	1
11	10005665	定刀安装板	COUNTER KNIFE SPACER	1
12	10010093	剪线刀座螺钉	SCREW 11/64-40 L=7	1
13	10014481	挡线器座轴位螺钉	THREAD TAKE-UP SCREW	
14	10012415	挡线器部件	THREAD TAKE-UP PICKER ASM.	1
15	10012442	挡线器座	PICKE ARM	1
16	10012732	挡线器螺钉	SCREW 11/64-40 L=7	2
17	10005844	剪线驱动座部件	BASE PLATE ASM	1
18	10012473	驱动座安装螺钉	SCREW 15/64-28 L=9	2
19	10005848	挡线器压板	DRIVING ARM STOPPER ASM.	1
20	10010074	挡线器压板螺钉	SCREW 15/64-40 L=7	2
21	10005846	剪线驱动曲柄复位簧	CLUTH SPRING	1
22	10005655	剪线驱动曲柄部件	CLUTH PALTE ASM.	1
23	10007859	驱动曲柄定位挡圈	SNAP RING	
24	10005636	托板支承架	ROLLER ARM BRACKET	1
25	10010016	托板支承架螺钉	SCREW 9/64-40 L=6	1
26	10005668	托板支承销	ROLLER FULCRURN SHAFT	1
27	10005676	托板复位簧	ROLLER RETURN SPRING	1
28	10012795	托板支承架销挡圈	SNAP RING	1
29	10005805	凸轮滚柱托板部件	ROLLER ARM ASM.	1
30	10005660	动刀驱动拉杆	MOVING KNIFE LINK	1
31	10012450	摆动叉驱动轴位螺钉	SCREW	1
32	10005628	拉杆连接销	MOVING KNIFE LINK PIN	1
33	10010649	连接销挡圈	WASHER	1
34	10005808	连接销螺母	NUT	1
35	10005637	连接销挡圈	SNAP RING	1
36	10012569	剪线离合架部件	CLUTCH PLATE ASM.	1
37	10005847	离合架部件	CLUTCH PLATE	1
38	10005670	离合架复位簧	CLUTCH SPRING	1
39	10005657	挡线器拉杆	PICKER LINK	1

8.2、剪线分组件 THREAD TRIMMER COMPONENTS

(平刀组件 STRAIGHT KNIFE COMPONENTS)

序号 Ref. No.	物料号 Part. No.	名称	Description	数量 Amt.
40	10012733	挡线器拉杆轴位螺钉	HINGE SCREW	1
41	10005659	挡线器拉杆连接销	PICKER LINK PIN	1
42	10005637	垫圈	WASHER	1
43	10005808	垫圈螺母	NUT	1
44	10005630	挡油块	OIL SHIELD PLATE	1
45	10012414	剪线电磁铁组件	THREAD TRIMMER SOLENOID AIM.	1
46	10005667	剪线电磁铁支架	SOLENOID BASE	1
47	10002949	支架连接垫圈	WASHER	2
48	10005297	支架连接螺母	NUT	2
49	10012473	支架连接螺钉	SCREW 15/64-28 L=12	2
50	10012413	剪线电磁铁节头	SOLENOID BASE	1
51	10010074	节头螺钉	SCREW 11/64-40 L=7	1
52	10010649	节头挡圈	SNAP RING	1
53	10012601	剪线电磁铁拉杆	CLUTCH LINK	1
54	10012774	离合架拉杆轴位螺钉	HINGE SCREW	1
55	10010295	电磁铁电线压板	TUBE HOLDER	1

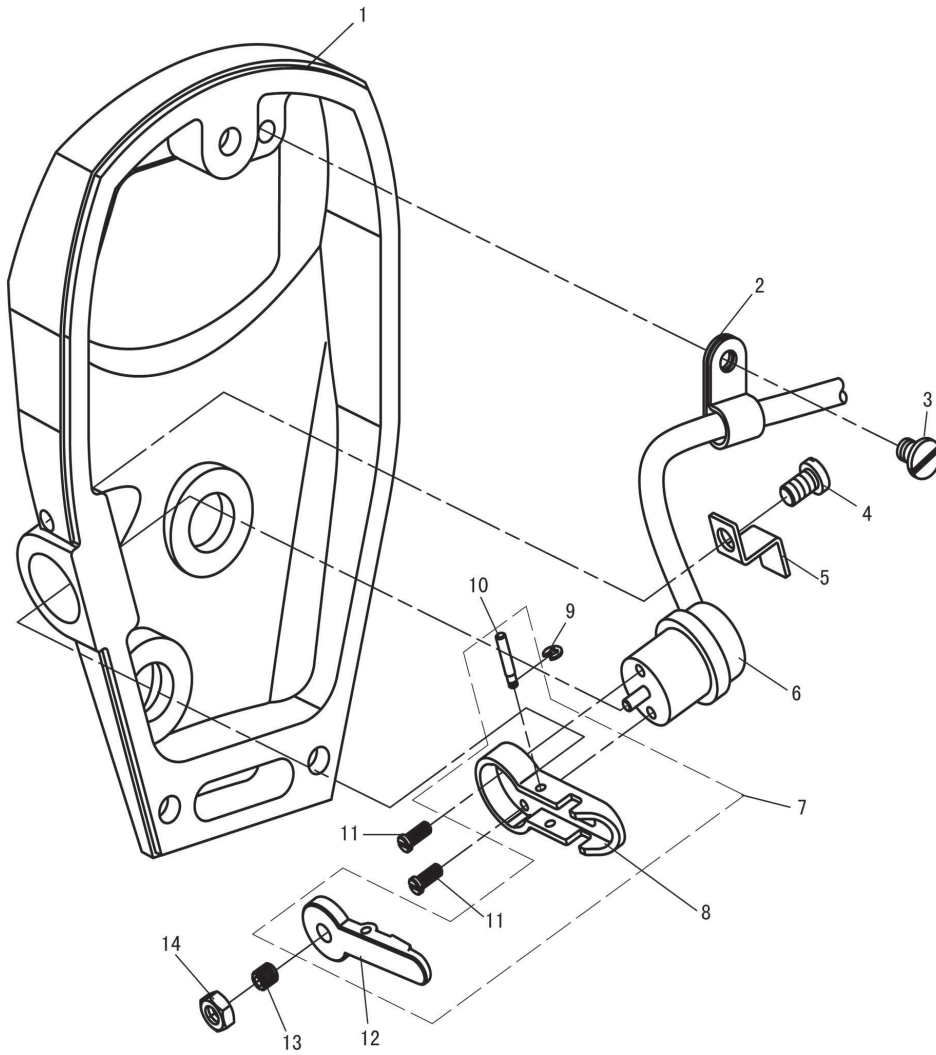
9.1、拔线分组件 WIPER COMPONENTS



9.1、拨线分组件 WIPER COMPONENTS

序号 Ref.No.	物料号 Part.No.	名称	Description	数量 Amt.
1	10002487	拨线电磁铁支架部件	WIPER BASE ASM	1
2	10008972	支架安装螺钉	SCREW 3/16-28 L=9	1
3	10006263	拨线器开关	POWER SOURCE SWITHCH ASM.	1
4	10005736	拨线电磁铁	WIPER SOLENOID	1
5	10003036	拨线电磁铁安装螺钉	SCREW 3/16-28 L=9	3
6	10003082	安装螺钉垫圈	WASHER	3
7	10005739	铁芯橡皮垫	WIPER RUBBER	1
8	10012488	铁芯复位垫	WIPER RUBBER	1
9	10005719	铁芯传动销	WIPER SOLENOID PIN	1
10	10005769	传动销滚柱	WIPER LINK COLLAR	1
11	10005728	拨线传动板	WIPER LINK	1
12	10005726	传动板轴位螺钉	HINGE SCREW	1
13	10005767	轴位螺钉定位套	WIPER HINGE SCREW COLLER	1
14	10005735	传动板轴位螺钉螺母	NUT	1
15	10005770	传动复位簧	SPRING	1
16	10005765	拨线拉杆	CONNECTING LINK	1
17	10005738	拉杆轴位螺钉	SCREW	1
18	10005766	拉杆轴位螺钉螺母	NUT	1
19	10005730	拨线驱动轴部件	WIPER DRIVING SHAFT ASM	1
20	10010649	拨线驱动轴挡圈	SNAP RING	1
21	10024749	拨线杆轴挡圈	SNAP RING	1
22	10005765	拨线杆	WIPER	1
23	10005734	拨线杆紧固螺钉	SCREW 9/64-40 L=5	1
24	10005725	螺钉套圈	BRACKET INSTALLING COLLER	1
25	10005724	拨线器罩	WIPER BASE ASM	1
26	10003036	拨线器罩螺钉	SCREW M3X0.5 L=6	1
27	10003017	拨线器罩螺钉垫圈	WIPER COVER SPRING WASHER	1

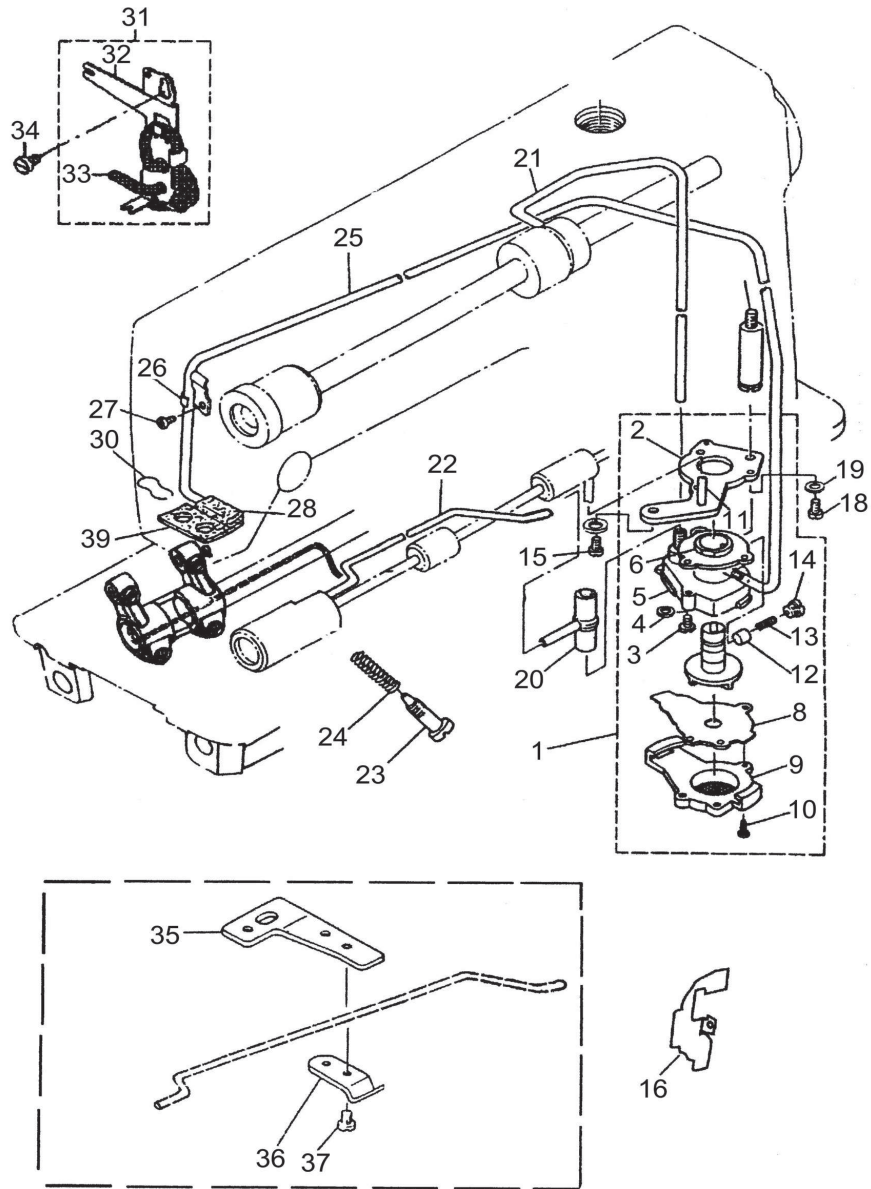
9.2、夹线组件BOBBIN THREAD TENSION COMPONENTS



9.2、夹线组件BOBBIN THREAD TENSION COMPONENTS

序号 Ref.No.	物料号 Part.No.	名称	Description	数量 Amt.
1	20008061	面板	FACE PLATE	1
2	10015880	电线夹	CORD HOLDER	1
3	10014441	螺钉	SCREW	1
4	10010074	螺钉	SCREW	1
5	10025354	电线压板	CORD HOLDER	1
6	10022511	电磁铁	SOLENOID	1
7	10022514	夹线器	BOBBIN THREAD TENSION ASM.	1
8	10022515	夹线座	TENSION DISC	1
9	10029637	卡簧	SPRING	1
10	10022517	销	PIN	1
11	10022533	螺钉	SCREW	2
12	10022516	夹线板	TENSION DISC	1
13	10027512	螺钉	SCREW	1
14	10027513	螺母	NUT	1

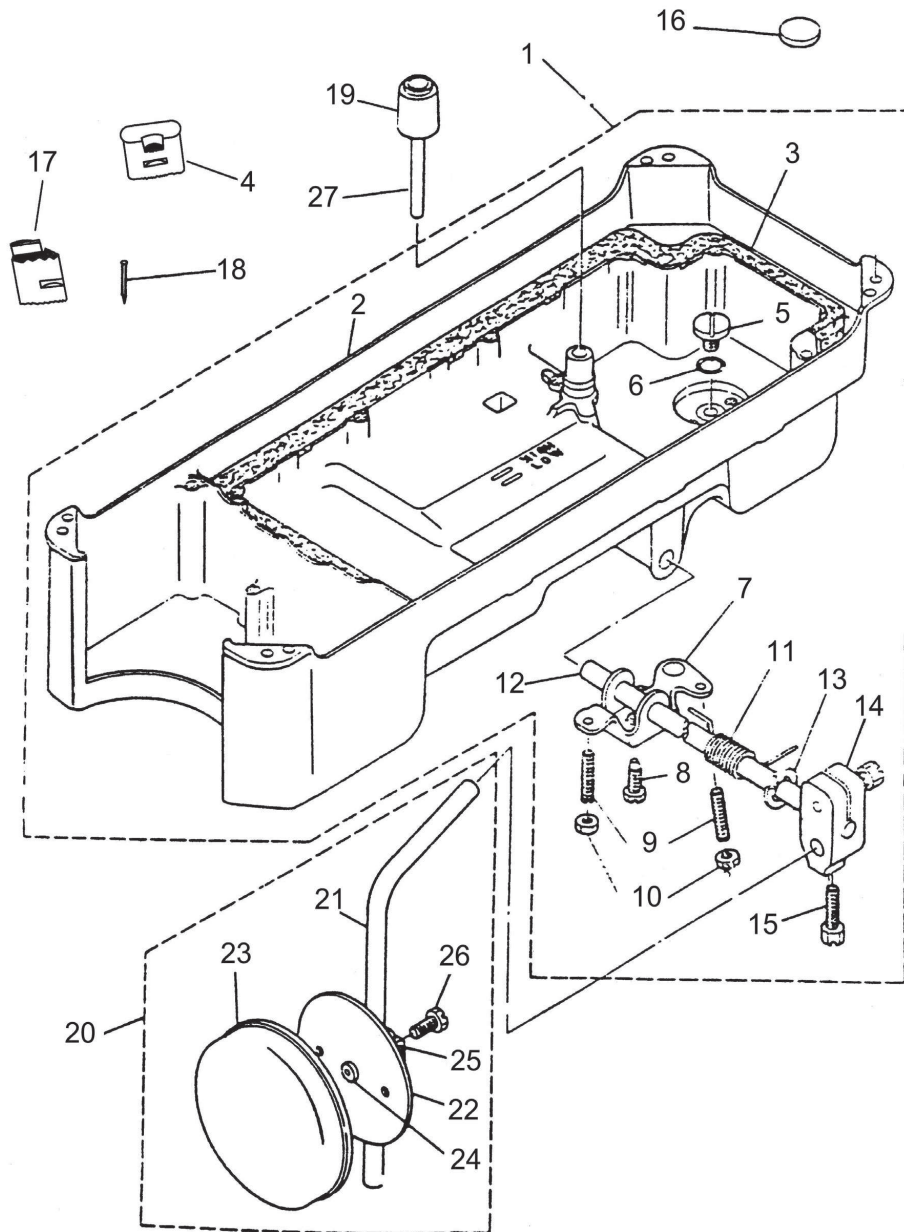
10、润换分组件 LUBRICATION COMPONENTS



10、润换分组件 LUBRICATION COMPONETS

序号 Ref.No.	物料号 Part.No.	名称	Description	数量 Amt.
1	10008817	油泵部件	LUBRICATING OIL PUMP ASM.	1
2	10004046	油泵安装板	OIL PUMP INSTALLING BASE	1
3	10004062	油泵安装螺钉	SCREW 15/64-28 L=9	3
4	10004057	油泵安装止退垫圈	WASHER	3
5	10002476	油泵体	OIL PUMP	1
6	10004061	油泵体衬套	OIL PUMP BUSHING	1
7	10004063	油泵叶轮	OIL PUMP IMPELLER	1
8	10004066	油泵叶轮托板	OIL PUMP IMPELLER COVER	1
9	10004058	油泵盖分部件	LUBRICATING OIL PUMP COVER	1
10	10004064	油泵盖螺钉	SCREW	3
11	10004060	下轴供油管	HOOK DRIVING SHAFT OIL TUBE	1
12	10004056	回油柱塞	PLUNGER	1
13	10004059	柱塞簧	PLUNGER SPRING	1
14	10004043	柱塞螺钉	SCREW	1
15	10004064	油泵螺钉	SCREW	1
16	10010898	隔油板	OIL STOPPER ASM	1
17	10012505	油泵连接螺柱	OIL PUMP SUPPORT	1
18	10010066	螺柱连接螺钉	SCREW 11/64-40 L=9.5	1
19	10003281	油泵连接螺柱挡圈	WASHER	1
20	10010340	供油管接头	RUBBER JOINT	1
21	10023807	上轴供油管	MAIN SHAFT OIL TUBE	1
22	10008807	旋梭供油管（旋刀）	OIL TUBE	1
	10010345	旋梭供油管（平刀）	OIL TUBE	1
23	10008831	油量调节螺钉（旋刀）	OIL ADJUSTING SCREW	1
	10010344	油量调节螺钉（平刀）	OIL ADJUSTING SCREW	1
24	10008806	油量调节簧（旋刀）	SPRING	1
	10010341	油量调节簧（平刀）	SPRING	1
25	10007795	回油管	OIL TETURN GUARD	1
26	10004476	回油管夹	OIL REURN TUBE HOLDER	1
27	10008934	回油管夹螺钉	SCREW 3/16-28 L=6	1
28	10010342	回油除尘毡	ANTI-DUST OIL FELT	1
29	10010342	回油毡	OIL FELT	1
30	10010294	回油毡夹	OIL FELT PRESSER	1
31	10010339	面部油线板组件	OIL WICK SUPPORT ASM	1
32	10004065	面部油线板	OIL WICK SUPPORT	1
33	10004045	面部油线	OIL WICK	1
34	10005558	面部油线板螺钉	SCREW	1
35	10012443	软管下支承板	WIRE HOLDER BARCKET (LOWER)	1
36	10012445	软管下支承板压板	WIRE HOLDER	1
37	10010074	软管下支承板压板螺钉	SCREW 11/64-40 L=5	1

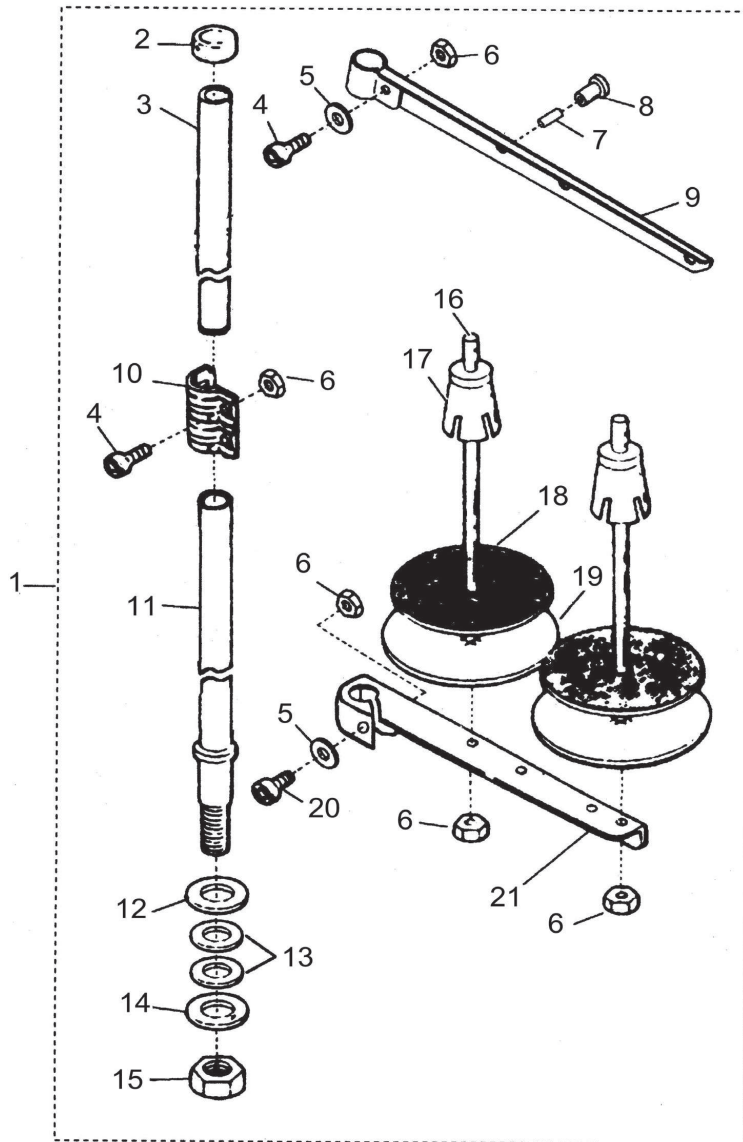
11、油盘、膝提抬压脚分组件PRESSER FOOT COMPONENTS OIL PLATE KNEE LIFE



11、油盘、膝提抬压脚分组件PRESSER FOOT COMPONENTS OIL PLATE KNEE LIFE

序号 Ref.No.	物料号 Part.No.	名称	Description	数量 Amt.
1	20002951	油盘部件	OIL PLATE COMPONENTS	1
2	10008313	油盘	OIL PLATE	1
3	10014194	油盘垫	OIL PLATE BED	1
4	10009993	机头座垫	MACHINE HEAD BED	4
5	10009991	排油孔螺钉	OIL EXRRACTION HOLE SCREW	1
6	10009988	排油孔螺钉O形圈	"O"RING OF OIL EXTRACTING HOLE SCREW	1
7	10009987	抬压脚双向曲柄	TWO-WAY CRANK OF LIFTING PRESSOR FOOT	1
8	10003898	双向曲柄螺钉	SCREW	1
9	10003895	双向曲柄限位调节螺钉	BANKING SCREW OF TWO-WAY CRANK	2
10	10003890	双向曲柄限位调节螺母	BANKING NUT OF TWO-WAY CRANK	3
11	10003893	双向曲柄扭簧	TWISTING SPRING	1
12	10003899	抬压脚轴	LIFTING PRESSOR FOOT SHAFT	1
13	10002559	抬压脚轴开口挡圈	OPEN SHIELD RING	1
14	10003896	抬压脚轴操纵杆节头	OPERATING BAR HEAD OF LIFTING PRESSOR FOOT	1
15	10002613	操纵杆节头螺钉	OPERATING BAR HEAD SCREW	1
	10002610			1
16	10003892	油盘磁铁	OIL PLATE MAGNET	1
17	10009986	油盘支座	OIL PLATE SEAT	2
18	10003889	油盘座钉	OIL PLATE NAIL	4
19	10009984	抬压脚顶销	TOP PIN OF LIFTING PRESSOR FOOT	1
20	10009985	操纵杆部件	OPERATING BAR COMPONENTS	1
21	10003901	操纵杆	OPERATING BAR	1
22	10003891	操纵板	OPERATING PLATE	1
23	10004223	操纵板软垫	SOFT CUSHION OF OPERATING BAR	1
24	10003900	操纵杆垫	OPERATING BAR BED	1
25	10003897	操纵杆节头	OPERATING BAR TIP	1
26	10003894	节头螺钉	TIP SCREW	1
27	10004222	抬压脚顶销杆	PIN OF LIFTING PRESSOR FOOT ASM	1

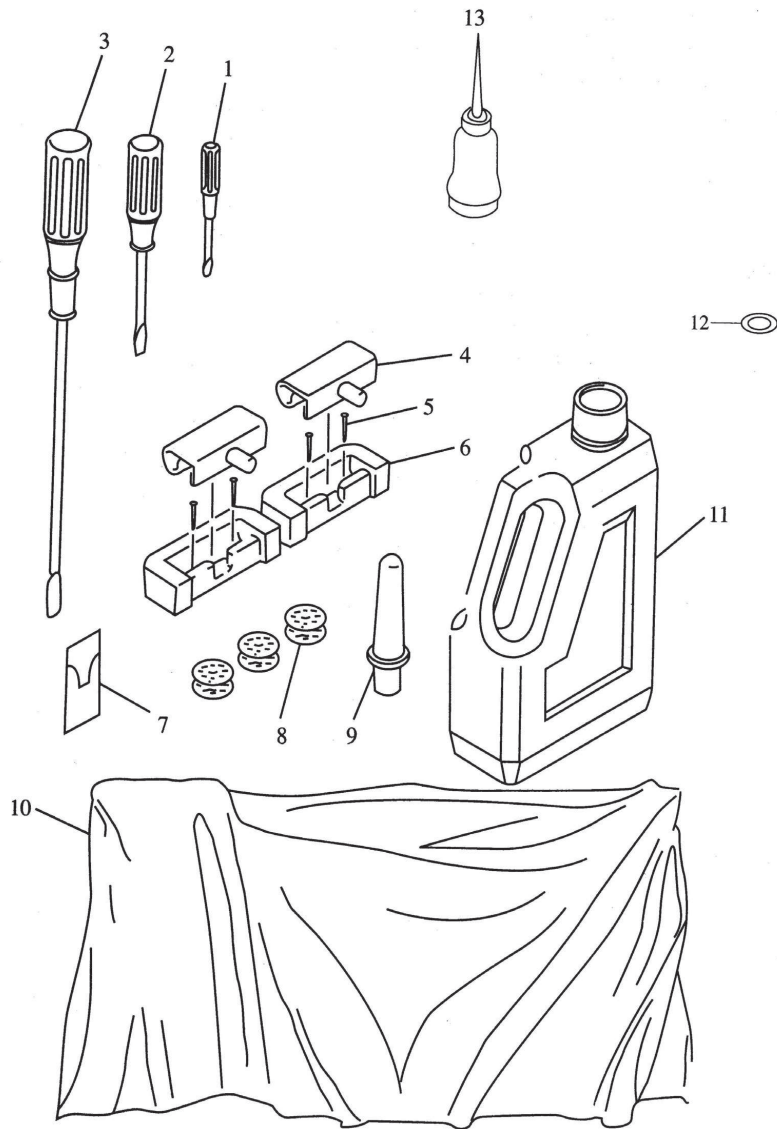
12、过线架分组件 COMPONENTS OF THREAD-RUNNING STAND



12、过线架分组件 COMPONENTS OF THREAD-RUNNING STAND

序号 Ref. No.	物料号 Part. No.	名称	Description	数量 Amt.
1	10007130	二线架组件	THREAD STAND ASM	
2	10004282	撑管套	COLUMN CAP	1
3	10004293	线架上撑管	COLUMN PIPE (UPPER)	2
4	10003301	上过线架螺钉	SCREW	2
5	10003022	上过线架垫圈	WASHER	5
6	10002953	上过线架螺母	NUT	1
7	10004289	过线管	THREAD GUIDE PIPE	1
8	10004285	过线管套	THREAD GUIDE BUSHING	1
9	10004298	上过线架	THREAD HANGER (2SPOOLS TUPE)	1
10	10004286	撑管夹	COLUMN PIPE CONNECTOR	1
11	10004291	线架下撑管	COLUMN PIPE (LOWER)	1
12	10004295	线架下撑管垫圈2	WASHER	1
13	10004290	线架下撑管垫圈1	WASHER	1
14	10004295	垫圈	WASHER	2
15	10002953	下过线架螺母	NUT	1
16	10004288	线轴	SPOOL PIN	2
17	10004287	线盘塑料压块	SPOOL CUSHION	2
18	10004281	线盘软垫	SOFT CUSHION OF THREAD PLATE	2
19	10004299	线盘	THREAD PLATE	2
20	10003312	下过线架螺钉	SCREW	1
21	10004284	下过线架	THREAD HANGER (LOWER)	1

13、附件 ACCESSORIES



13、附件 ACCESSORIES

序号 Ref. No.	物料号 Part. No.	名称	Description	数量 Amt.
1	10013185	螺丝刀 (小)	SCREW DRIVER, SMALE	1
2	10010995	螺丝刀 (中)	SCREW DRIVER, MIDDLE	1
3	10010994	螺丝刀 (大)	SCREW DRIVER, LARGE	1
4	10004466	机头连接钩部件	HINGE COMPL	2
5	10003889	机头连接钩螺钉	NAIL	6
6	10011041	机头连接钩座	RUBBER CUSHION	2
7	10003468	机针	NEEDLE	1
8	10025484	梭心	BOBBIN	3
9	10004514	机头支柱	FRAME SUPPORT BAR	1
10	10008849	机头罩	FRAMEVINYL COVER	1
11	10004455	油箱	OIL BOTTLE WITH OIL	1
12	10008773	橡胶轮	RUBBER RING	1
13		小油壶	OILER ASM.	1

二、三排齿中厚料专用件

SPECIAL PARTS OF THREE ROWS' FEED DOGS AND MIDDLE & THICK MATERIALS

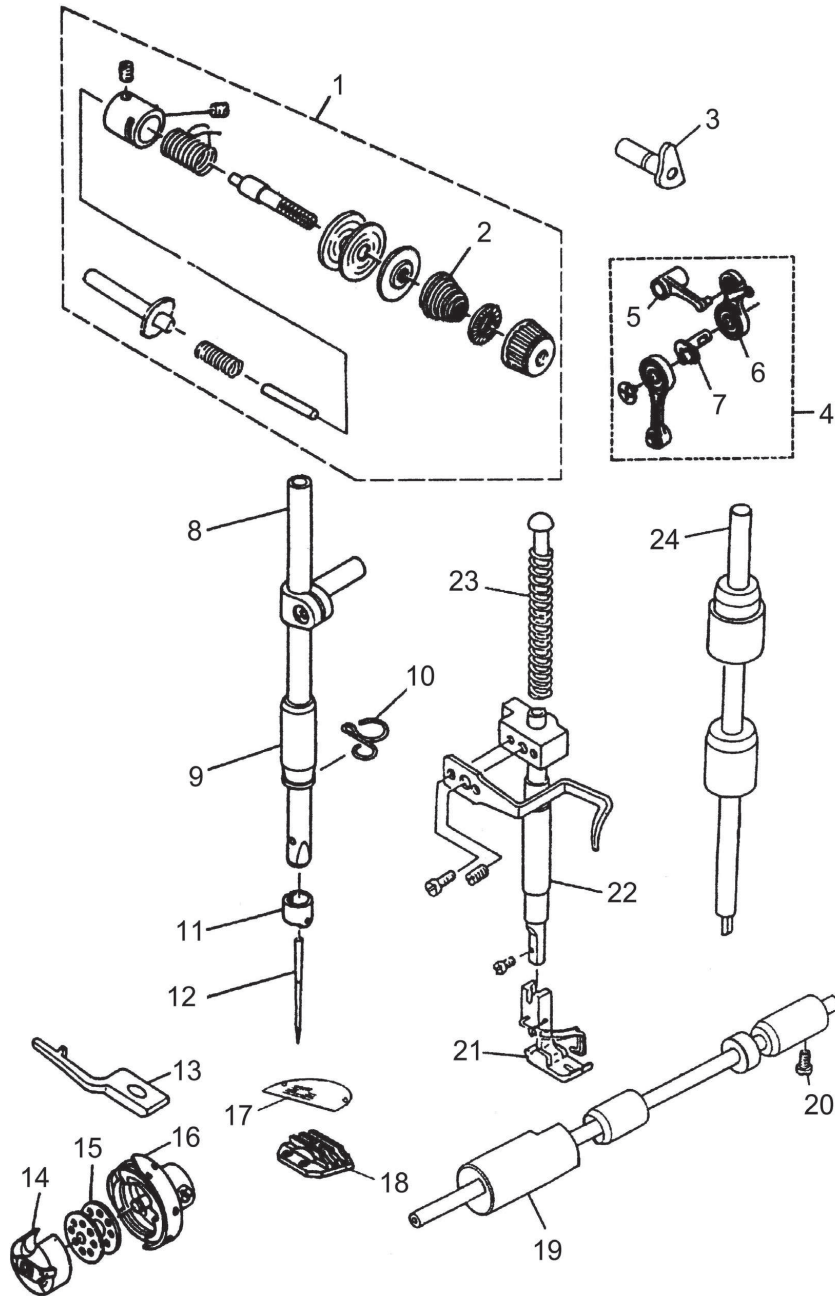


二、三排齿中厚料专用件

SPECIAL PARTS OF THREE ROWS' FEED DOGS AND MIDDLE & THICK MATERIALS

序号 Ref. No.	物料号 Part. No.	名称	Description	数量 Amt.
1	10005917	针板	NEDDLE PLATE	1
2	10006005	送料牙	FEED DOG	1

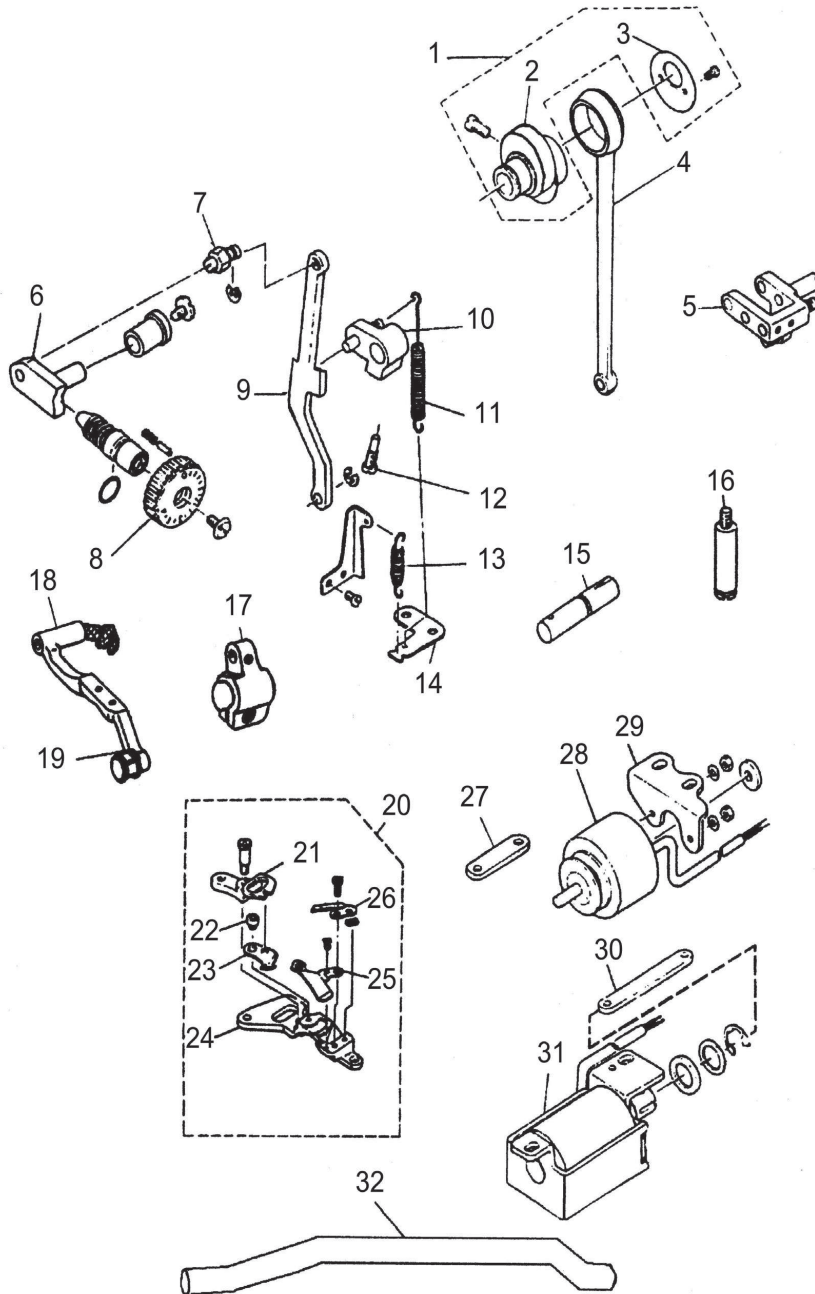
三、厚料专用件 (1) SPECIAL OF CHICK MATERIALS(1)



三、厚料专用件 (1) SPECICAL OF CHICK MATERIALS(1)

序号 Ref. No.	物料号 Part. No.	名称	Description	数量 Amt.
1	10012476	夹线器部件	TENSION ASM	1
2	10005941	夹线簧	TENSION SPRING	1
3	10005946	压脚扳手凸轮部件	HAND LOFTER CAM ASM	1
4	10005939	挑线杆部件	THREAD TAKE-UP ASM.	1
5	10005936	挑线连杆	THREAD STITCH CONNECTING BAR	1
6	10005935	挑线杆	THREAD STITCH BAR	1
7	10005940	挑线曲柄	THREAD STITCH CRANK	1
8	10014469	针杆	NEEDLE BAR	1
9	10005916	针杆下轴套	NEEDLE BAR BUSHING LOWER	1
10	10005943	针杆下轴套线钩	NEEDLE BAR THREAD GUIDE	1
11	10005945	针杆线钩	NEEDLE BAR THREAD GUIDE	1
12	10004868	机针	NEEDLE	1
13	10009998	旋梭定位勾	POSTIONING FINGER	1
14	10006924	梭子	BOBBIN CASE ASM	1
15	10025484	梭心	BOBBIN	1
16	10006923	旋梭	HOOK ASM	1
17	10014459	针板	NEEDLE PLATE	1
18	10007322	送料牙	FEED DOG	1
19	10014142	下轴前轴套	BUSHING ASM. FRONT	1
20	10010030	下轴后轴套螺钉	SCREW	1
21	10005982	活压脚部件	PRESSER FOOT ASM	1
22	10005915	压杆轴套	PRESSER BAR BUSHING LOWER	1
23	10004473	调压簧	PRESSER SPRING	1
24	10010057	竖轴	UPRINGT SHAFT	1

三、厚料专用件 (2) SPECIAL OF CHICK MATERIALS(2)



三、厚料专用件 (2) SPECICAL OF CHICK MATERIALS(2)

序号 Ref.No.	物料号 Part.No.	名称	Description	数量 Amt.
1	20004564	送料偏心轮部件	FEED DRIVE ECCENTRIC CAM ASM	1
2	10010115	送料偏心轮	FEED DRIVE ECCENTRIC CAM ASM	1
3	10010098	送料偏心轮盖板	THRUST COLLAR	1
4	10010072	送料连杆	ROCKER SHAFT CONNECTING ROD	1
5	10012775	送料摆动座部件	WALKING FOOT ADJUST LINK	1
6	10008848	送料调节器	FEED REGULATOR	1
7	10026886	倒送料连杆销	FEED REGULATOR PIN	1
8	10011024	送料距旋钮	FEED DIAL	1
9	10008852	倒送料连杆	FEED REGULATOR CONNECTING ROD	1
10	20000355	倒送料曲柄部件	FEED REVERSE ARM ASM	1
11	10012991	倒送料拉簧	FEED REVERSE SPRING	1
12	10010236	倒送料曲柄螺钉	FEED REVERSE ARM SCREW	1
13	10012990	摆动板座复位簧	ADJUSTING LINK SPRING	1
14	10012987	拉簧固定板	FEED REVERSE HOOK	1
15	10008827	倒送料轴	FEED REVERSE SHAFT	1
16	10013001	油泵连接螺柱	OIL PUMP SUPPORT	1
17	10010076	送料曲柄	FEED ROCKET SHAFT CRANK ASM	1
18	10008872	牙架	FEED ROCKET BASE	1
19	20000349	牙架组件	FEED ROCKET BASE ASM.	1
20	10006124	剪线刀部件	KNIFE UNIT	1
21	10006122	动刀摆动叉	FORKED BASE FOR KNIFE	1
22	10006120	动刀轴位螺钉	MOVING KNIFE HIGE SCREW	1
23	10006129	动刀部件	MOVING KNIFE ASM.	1
24	10006130	剪线刀座	KNIFE MOUNTING BASE	1
25	10006127	剪线导线钩	THREAD GUIDE FOR KNIFE	1
26	10006128	定刀	COUNTER KNIFE	1
27	10013004	剪线电磁铁拉杆	THREAD TRIMMER SOLENOID BAR	1
28	10013003	剪线电磁铁组件	THREAD TRIMMER SOLENOID ASM.	1
29	10006121	剪线电磁铁支架	SOLENOID BASE	1
30	10006108	铁芯连杆	REVER FEED COUNNECTING SHAFT	1
31	10006126	倒送料电磁铁线圈组件	REVER FEED MAGNET ASM	1
32	10013005	旋梭供油管	OIL TUBE	1